

## EJ-BA-MEDIUMX2

- Ideal for decentralized applications
- High ratio between suction flow rate and compressed air consumption
- Can be integrated near the gripping point, lightweight
- G3/8" vacuum port
- Auxiliary vacuum port, for possible blow-off or monitoring of the G1/8" system
- Available with two- and three-stage EJ-MEDIUM cartridge (EJ-LP, EJ-HF, EJ-HV)

### Typical applications

- Handling of sealed items such as parts in glass and metal (EJ-HV)
- Packaging (cartoners, case packing machines) (EJ-HF, EJ-LP)
- Plastic (molding)
- Automotive

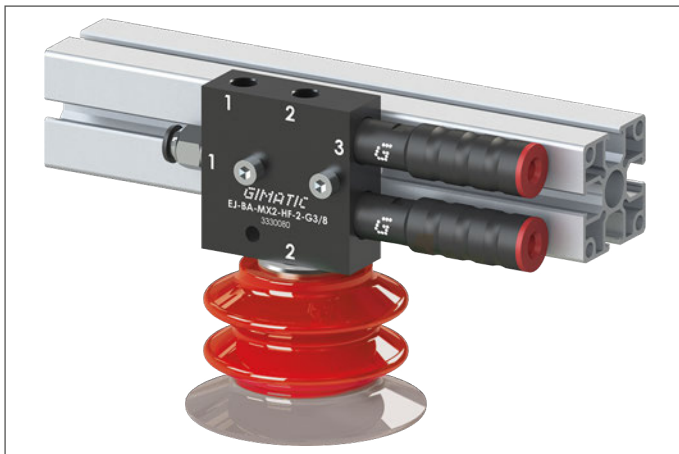
NEW



NEW



### Application example



Technical features	
Max feed pressure	0.7 MPa
Weight	151 ± 158 g
Material	POM, PA, Al, Nitrile (NBR)
Noise level	< 70 dB

Suction flow rate													
Model	Feed pressure [MPa]	Air consumption [l/s]	Suction flow rate [l/s] at different vacuum levels [kPa]										Max vacuum [kPa]
			0	-10	-20	-30	-40	-50	-60	-70	-80	-90	
EJ-BA-MX2-LP-2-G3/8	0.4	1.1	1.34	1.22	1.06	0.76	0.46	0.24	0.18	0.12	0.04	–	-89
EJ-BA-MX2-LP-3-G3/8	0.4	1.1	3	1.42	1.06	0.76	0.46	0.24	0.18	0.12	0.04	–	-89
EJ-BA-MX2-HF-2-G3/8	0.6	0.86	1.56	1.36	1.04	0.62	0.42	0.30	0.20	0.16	–	–	-73
EJ-BA-MX2-HF-3-G3/8	0.6	0.86	2.70	1.50	1.10	0.62	0.42	0.30	0.20	0.16	–	–	-73
EJ-BA-MX2-HV-2-G3/8	0.5	0.94	1.52	1.26	1.08	0.64	0.34	0.30	0.22	0.14	0.01	0.02	-94
EJ-BA-MX2-HV-3-G3/8	0.5	0.94	2.94	1.56	1.08	0.64	0.34	0.30	0.22	0.14	0.01	0.02	-94

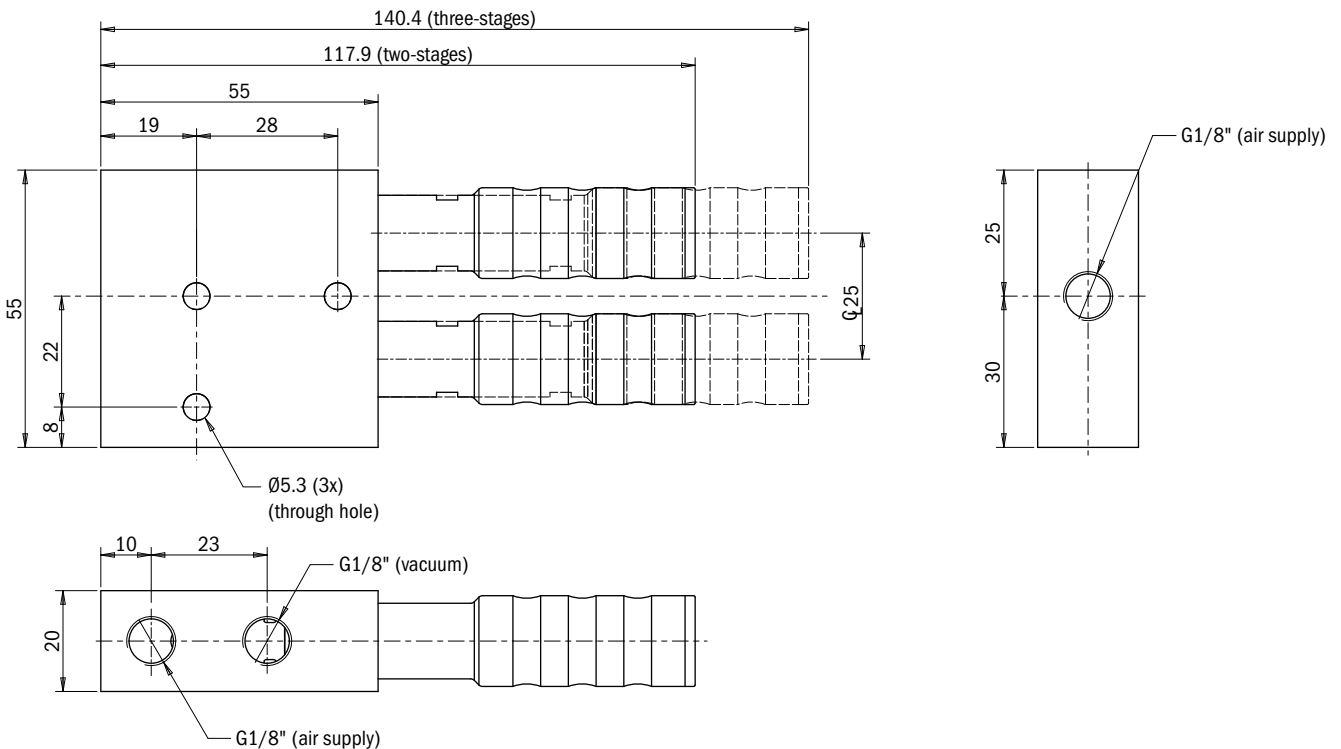
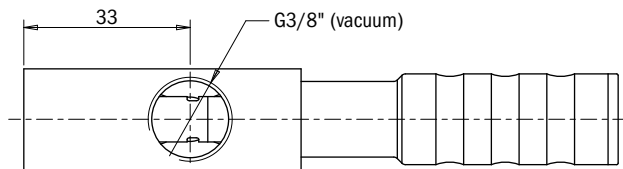
For technical specifications, regarding the suction flow rate and the air consumption at different pressures, please refer to the technical data sheets of the EJ-MEDIUM cartridges in the two- and three-stage versions

Evacuation time													
Model	Feed pressure [MPa]	Air consumption [l/s]	Evacuation time [s/l] to reach different vacuum levels [kPa]										Max vacuum [kPa]
			-10	-20	-30	-40	-50	-60	-70	-80	-90		
EJ-BA-MX2-LP-2-G3/8	0.4	1.1	0.085	0.165	0.275	0.45	0.75	1.2	1.85	3.55	–	–	-89
EJ-BA-MX2-LP-3-G3/8	0.4	1.1	0.04	0.115	0.22	0.38	0.70	1.2	1.85	3.55	–	–	-89
EJ-BA-MX2-HF-2-G3/8	0.6	0.86	0.065	0.15	0.27	0.45	0.75	1.15	1.6	–	–	–	-73
EJ-BA-MX2-HF-3-G3/8	0.6	0.86	0.05	0.125	0.24	0.40	0.65	1.15	1.6	–	–	–	-73
EJ-BA-MX2-HV-2-G3/8	0.5	0.94	0.07	0.16	0.275	0.50	0.88	1.2	1.75	2.55	4.35	–	-94
EJ-BA-MX2-HV-3-G3/8	0.5	0.94	0.08	0.24	0.47	0.88	0.80	1.2	1.75	2.55	4.35	–	-94

For technical specifications regarding the evacuation time and the consumption at different pressures, please refer to the technical data sheets of the EJ-MEDIUM cartridges, in the two- and three-stage versions

### Identification codes

Alphanumeric code	Description	Order code
EJ-BA-MX2-LP-2-G3/8	EJ-BA-MEDIUMX2-LP-2 vacuum pump with holder and integrated silencer, G3/8" vacuum port	3330078
EJ-BA-MX2-LP-3-G3/8	EJ-BA-MEDIUMX2-LP-3 vacuum pump with holder and integrated silencer, G3/8" vacuum port	3330079
EJ-BA-MX2-HF-2-G3/8	EJ-BA-MEDIUMX2-HF-2 vacuum pump with holder and integrated silencer, G3/8" vacuum port	3330080
EJ-BA-MX2-HF-3-G3/8	EJ-BA-MEDIUMX2-HF-3 vacuum pump with holder and integrated silencer, G3/8" vacuum port	3330081
EJ-BA-MX2-HV-2-G3/8	EJ-BA-MEDIUMX2-HV-2 vacuum pump with holder and integrated silencer, G3/8" vacuum port	3330082
EJ-BA-MX2-HV-3-G3/8	EJ-BA-MEDIUMX2-HV-3 vacuum pump with holder and integrated silencer, G3/8" vacuum port	3330083



**Identification codes**

Alphanumeric code	Description	Order code
EJ-BA-MX2-LP-2-G3/8-H <b>NEW</b>	EJ-BA-MEDIUMX2-LP-2 vacuum pump with holder, G3/8" vacuum port	3331078
EJ-BA-MX2-HF-2-G3/8-H <b>NEW</b>	EJ-BA-MEDIUMX2-HF-2 vacuum pump with holder, G3/8" vacuum port	3331080
EJ-BA-MX2-HV-2-G3/8-H <b>NEW</b>	EJ-BA-MEDIUMX2-HV-2 vacuum pump with holder, G3/8" vacuum port	3331082

3-stage configurations are also available on request

**Click for Pricing & Add to Cart**

