

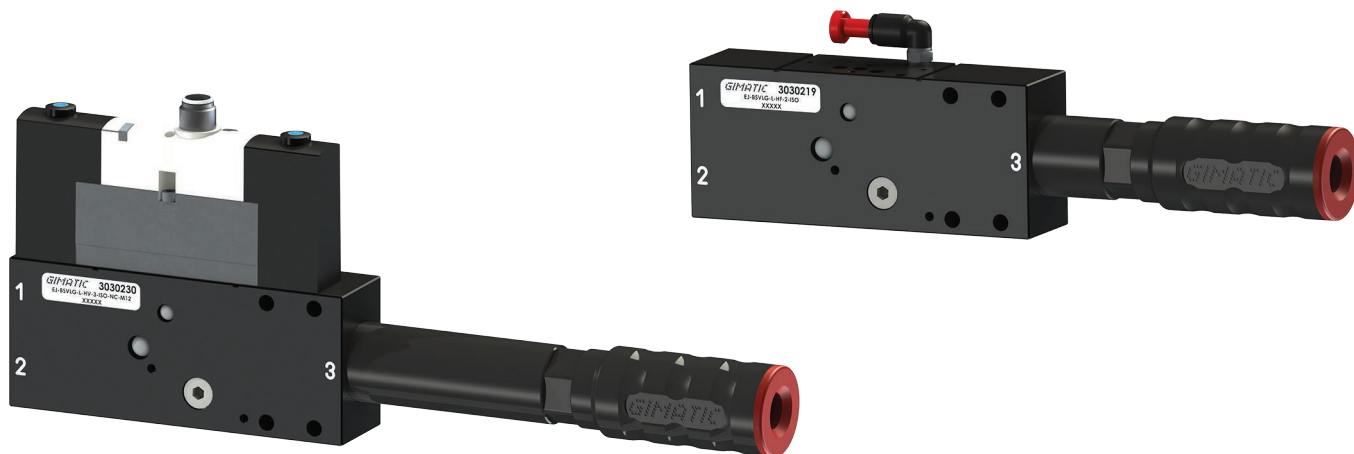
EJ-BSVLG-LARGE-ISO

- Ideal for centralized and decentralized applications
- Excellent ratio between suction flow rate and compressed air consumption
- Available with ON/OFF vacuum valve, blow-off, and integrated manual override control
- POM manifold prepared for mounting ISO 15407-1 (18 mm) valve of type 2x 3/2 NC or 5/3 with closed centre
- Available with two- and three-stage EJ-LARGE cartridges (EJ-HF and EJ-HV)
- Additional vacuum ports for mounting a vacuum switch
- In-line design for greater dirt tolerance
- Installable in series

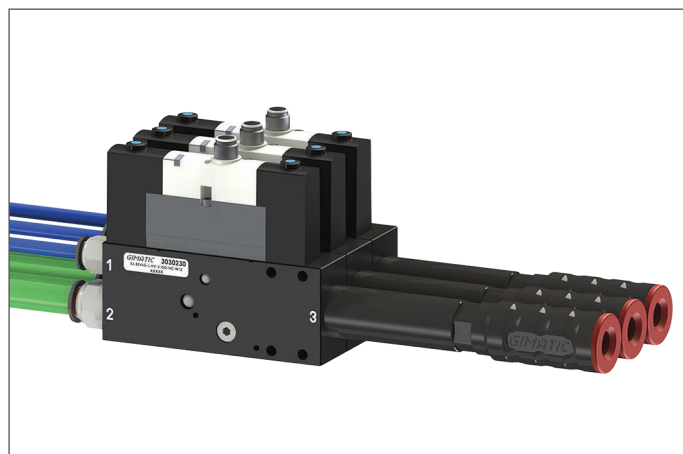
Typical applications

- Case packing and cartoning machines
- In applications that require an integrated control system with reduced weight and compact dimensions (electronics sector)
- Handling objects with heavy weights and porous surfaces

NEW



Application example

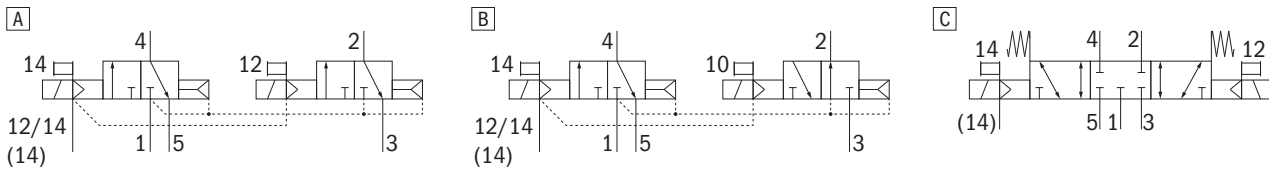


Pump technical features	
Max feed pressure	0.7 MPa
Weight (with solenoid valve)	260 (450) g
Material	SS, POM, Al, Nitrile (NBR)
Noise level	< 70 dB
Operating temperature	-5 + +50 °C

Solenoid valve technical features (optional)	
Brand	Festo
Model	VSVA-B-T32C-AZH-A2-1R5L
Operation	2x 3/2 Normally closed (NC), spring loaded
Type of electrical connection	M12x1 5-pin
Drive voltage	24 Vcc ±10%
Power absorption	1/2.4 W (min/max)
IP rating	IP65
Piloting	External
Standard	ISO 15407-1: VDMA 24 563

Features of compatible valves	
Standard	ISO 15407-1 (18 mm)
Required piloting	External
Operation	2x 3/2 NC A 3/2 NO 3/2 NC B 5/3 CC C
Piloting outlet	Not conveyed

Example of compatible valves		
Brand	Coding	Lay-out
Aignep	05V S0 7 CC 00	C
Festo	VSVA-B-T32C-AZH-A2-1C1	A
Festo	VSVA-B-T32H-AZH-A2-1C1	B
Festo	VSVA-B-P53C-ZH-A2-1C1	C
Norgren	V415A22D-C313A	A



Suction flow rate													
Model	Feed pressure [MPa]	Air consumption [NI/s]	Suction flow rate [NI/s] at different vacuum levels [kPa]										Max vacuum [kPa]
			0	-10	-20	-30	-40	-50	-60	-70	-80	-90	
EJ-BSVLG-L-HF-2-ISO	0.6	1.7	3.2	3.0	2.5	1.7	0.89	0.62	0.51	0.31	–	–	-73
EJ-BSVLG-L-HF-3-ISO	0.6	1.7	5.9	3.5	2.5	1.7	0.89	0.62	0.51	0.31	–	–	-73
EJ-BSVLG-L-HV-2-ISO	0.5	1.93	2.6	2.4	1.7	1.3	0.70	0.55	0.40	0.31	0.15	0.02	-94
EJ-BSVLG-L-HV-3-ISO	0.5	1.93	6.0	3.7	2.1	1.9	0.79	0.55	0.40	0.31	0.15	0.02	-94

For technical specifications, regarding the suction flow rate and the air consumption at different pressures, please refer to the technical data sheets of the EJ-LARGE cartridges in the two- and three-stage versions

Evacuation time													
Model	Feed pressure [MPa]	Air consumption [NI/s]	Evacuation time [s/l] to reach different vacuum levels [kPa]										Max vacuum [kPa]
			-10	-20	-30	-40	-50	-60	-70	-80	-90		
EJ-BSVLG-L-HF-2-ISO	0.6	1.7	0.03	0.07	0.12	0.19	0.3	0.4	0.7	–	–	-73	
EJ-BSVLG-L-HF-3-ISO	0.6	1.7	0.02	0.05	0.10	0.19	0.3	0.4	0.7	–	–	-73	
EJ-BSVLG-L-HV-2-ISO	0.5	1.93	0.04	0.09	0.16	0.3	0.4	0.6	0.9	1.3	2.5	-94	
EJ-BSVLG-L-HV-3-ISO	0.5	1.93	0.02	0.06	0.10	0.2	0.3	0.4	0.7	1.1	2.4	-94	

For technical specifications regarding the evacuation time and the consumption at different pressures, please refer to the technical data sheets of the EJ-LARGE cartridges, in the two- and three-stage versions

Identification codes

Alphanumeric code	Description	Order code
EJ-BSVLG-L-HF-2-ISO	EJ-BSVLG-LARGE-HF-2-ISO vacuum pump with holder and integrated silencer, ready for ISO 15407-1 valve, G1/2" vacuum port	3030219
EJ-BSVLG-L-HF-3-ISO	EJ-BSVLG-LARGE-HF-3-ISO vacuum pump with holder and integrated silencer, ready for ISO 15407-1 valve, G1/2" vacuum port	3030220
EJ-BSVLG-L-HV-2-ISO	EJ-BSVLG-LARGE-HV-2-ISO vacuum pump with holder and integrated silencer, ready for ISO 15407-1 valve, G1/2" vacuum port	3030221
EJ-BSVLG-L-HV-3-ISO	EJ-BSVLG-LARGE-HV-3-ISO vacuum pump with holder and integrated silencer, ready for ISO 15407-1 valve, G1/2" vacuum port	3030222
EJ-BSVLG-L-HF-2-ISO-NC-M12	EJ-BSVLG-LARGE-HF-2-ISO vacuum pump with holder and integrated silencer, with 3/2 x2 NC solenoid valve for vacuum and blow-off, M12x1 5-pin connection, G1/2" vacuum port	3030227
EJ-BSVLG-L-HF-3-ISO-NC-M12	EJ-BSVLG-LARGE-HF-3-ISO vacuum pump with holder and integrated silencer, with 3/2 x2 NC solenoid valve for vacuum and blow-off, M12x1 5-pin connection, G1/2" vacuum port	3030228
EJ-BSVLG-L-HV-2-ISO-NC-M12	EJ-BSVLG-LARGE-HV-2-ISO vacuum pump with holder and integrated silencer, with 3/2 x2 NC solenoid valve for vacuum and blow-off, M12x1 5-pin connection, G1/2" vacuum port	3030229
EJ-BSVLG-L-HV-3-ISO-NC-M12	EJ-BSVLG-LARGE-HV-3-ISO vacuum pump with holder and integrated silencer, with 3/2 x2 NC solenoid valve for vacuum and blow-off, M12x1 5-pin connection, G1/2" vacuum port	3030230

Introduction

Vacuum theory

Suction cups

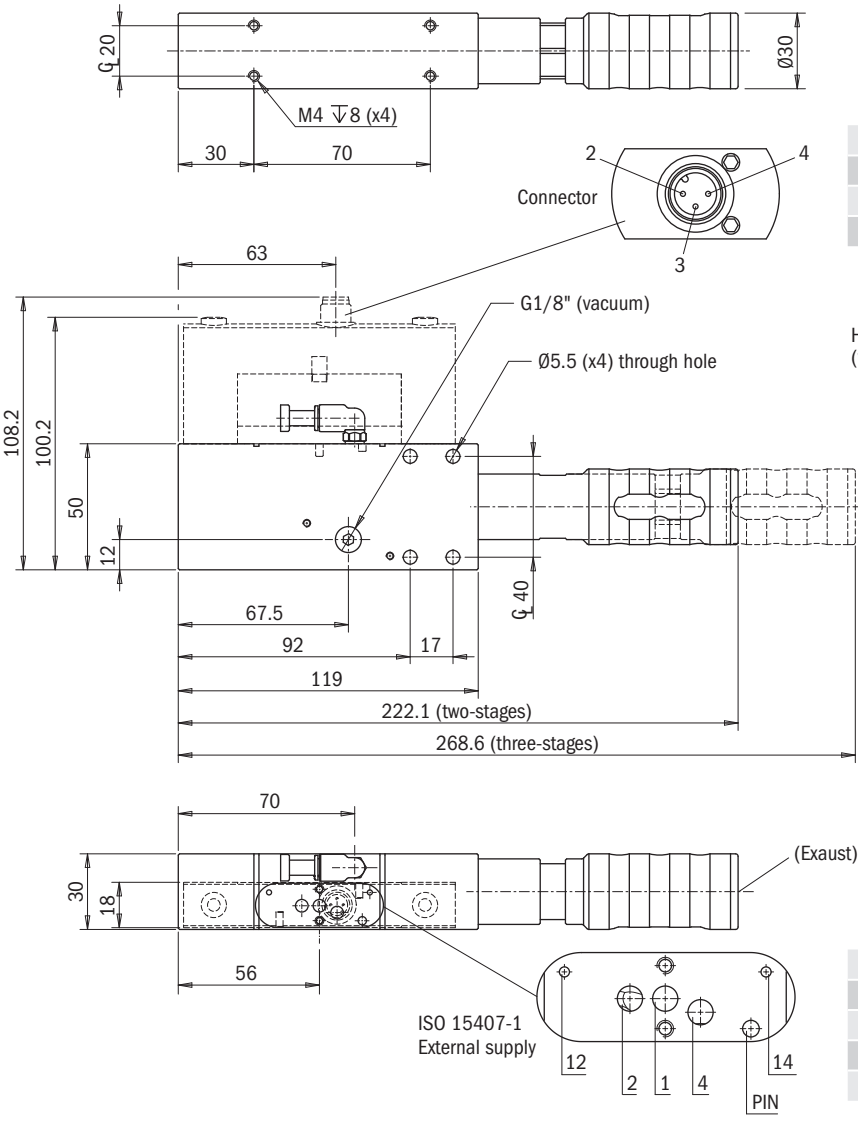
Vacuum pumps

Vacuum gripping systems

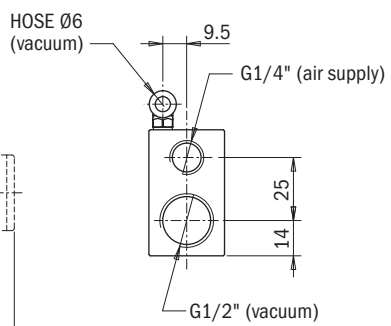
Customised solutions

Suspensions

System accessories



Pin	Function		
2	Vacuum supply	+24V	Black
3	GND	0	Blue
4	Blowoff	+24V	White



n°	Function
1	General supply
2	Vacuum supply
4	Blowoff
12 / 14	External supply

Identification codes

Alphanumeric code	Connector
CFGM1200430	Axial female connector with M12 lock nut, 4-pin, round PVC cable, length 3 metres
CFGM1290430	Angular female connector with M12 lock nut, 4-pin, round PVC cable, length 3 metres