

Vacuum pumps / EJ-SLG

EJ-SLG-LARGE

- Ideal for centralized applications
- Easy installation and positioning thanks to several mounting options
- G1/2" vacuum port
- Integrated silencer
- Multiple vacuum connections
- Prearranged with VACSW-3N203-G (PNP) and VACSW-3M203-G (NPN) vacuum switches
- Available with two- and three-stage EJ-LARGE cartridge (EJ-LP, EJ-HF, EJ-HV)

Typical applications

- Packaging machines, for the food and pharmaceutical sector
- Where low weights and compact dimensions are required (PKM-Delta Robot)
- Machines for the wood industry, where a high suction flow rate is required



NEW



NEW



Application example



Technical features

Max feed pressure	0.7 MPa
Weight	143 ± 159 g
Material	PA, SS, POM, Nitrile (NBR)
Noise level	< 70 dB

Suction flow rate

Model	Feed pressure [MPa]	Air consumption [Nl/s]	Suction flow rate [Nl/s] at different vacuum levels [kPa]										Max vacuum [kPa]
			0	-10	-20	-30	-40	-50	-60	-70	-80	-90	
EJ-SLG-L-LP-2	0.4	2.6	2.8	2.5	2.1	1.5	1.1	0.66	0.36	0.26	0.08	–	-89
EJ-SLG-L-LP-3	0.4	2.6	5.7	2.5	2.1	1.5	1.1	0.66	0.36	0.26	0.08	–	-89
EJ-SLG-L-HF-2	0.6	1.7	3.2	3.0	2.5	1.7	0.89	0.62	0.51	0.31	–	–	-73
EJ-SLG-L-HF-3	0.6	1.7	5.9	3.5	2.5	1.7	0.89	0.62	0.51	0.31	–	–	-73
EJ-SLG-L-HV-2	0.5	1.93	2.6	2.4	1.7	1.3	0.70	0.55	0.40	0.31	0.15	0.02	-94
EJ-SLG-L-HV-3	0.5	1.93	6.0	3.7	2.1	1.9	0.79	0.55	0.40	0.31	0.15	0.02	-94

For technical specifications, regarding the suction flow rate and the air consumption at different pressures, please refer to the technical data sheets of the EJ-LARGE cartridges in the two- and three-stage versions

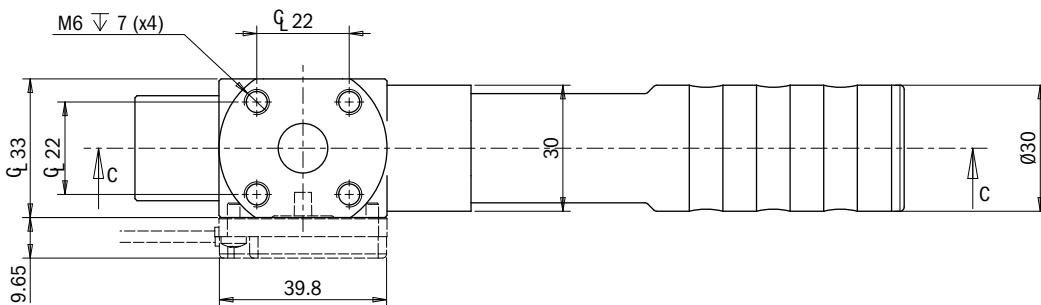
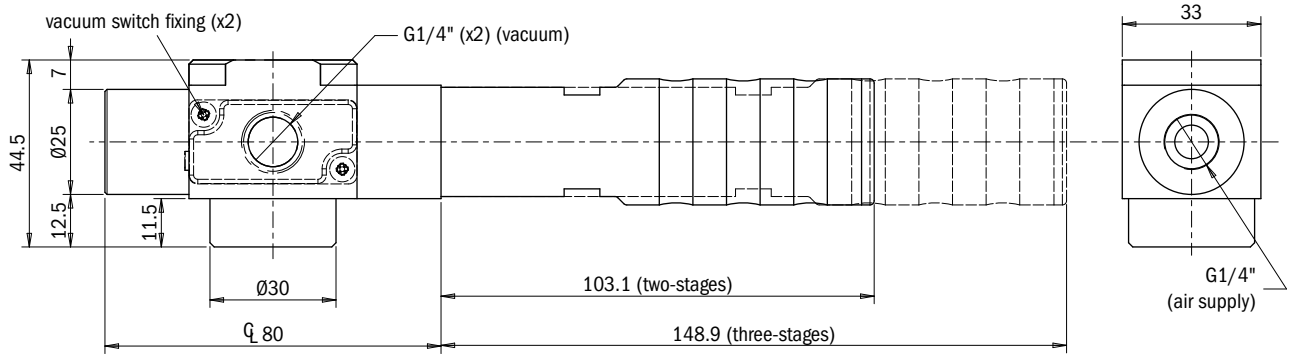
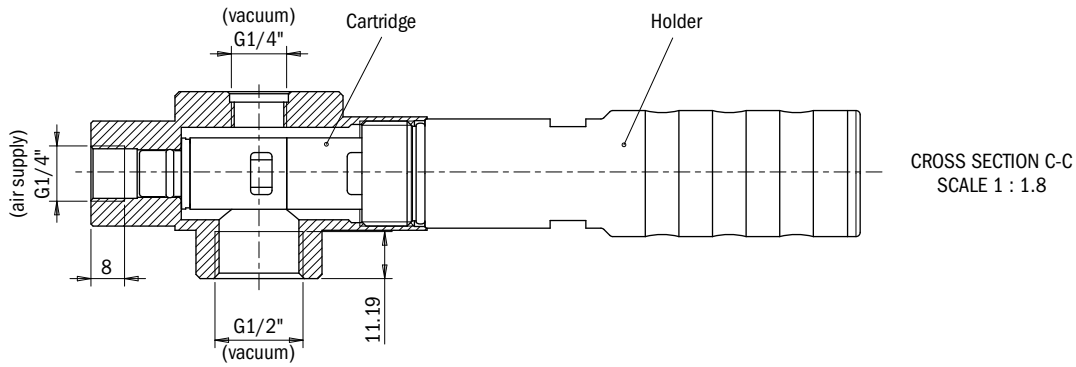
Evacuation time

Model	Feed pressure [MPa]	Air consumption [Nl/s]	Evacuation time [s/l] to reach different vacuum levels [kPa]										Max vacuum [kPa]
			-10	-20	-30	-40	-50	-60	-70	-80	-90		
EJ-SLG-L-LP-2	0.4	2.6	0.04	0.07	0.14	0.19	0.3	0.5	0.8	1.4	–	-89	
EJ-SLG-L-LP-3	0.4	2.6	0.02	0.07	0.12	0.2	0.3	0.5	0.8	1.4	–	-89	
EJ-SLG-L-HF-2	0.6	1.7	0.03	0.07	0.12	0.19	0.3	0.4	0.7	–	–	-73	
EJ-SLG-L-HF-3	0.6	1.7	0.02	0.05	0.10	0.19	0.3	0.4	0.7	–	–	-73	
EJ-SLG-L-HV-2	0.5	1.93	0.04	0.09	0.16	0.3	0.4	0.6	0.9	1.3	2.5	-94	
EJ-SLG-L-HV-3	0.5	1.93	0.02	0.06	0.10	0.2	0.3	0.4	0.7	1.1	2.4	-94	

For technical specifications regarding the evacuation time and the consumption at different pressures, please refer to the technical data sheets of the EJ-LARGE cartridges, in the two- and three-stage versions

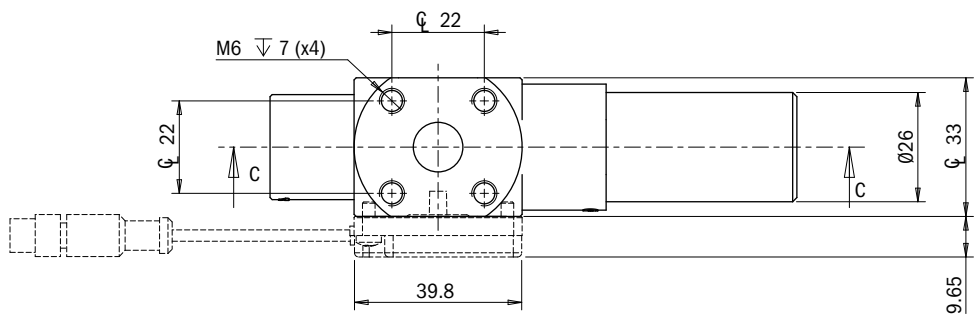
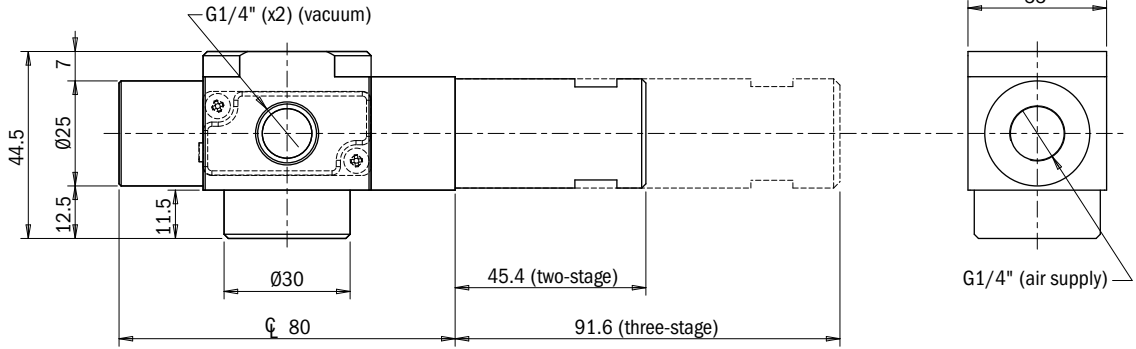
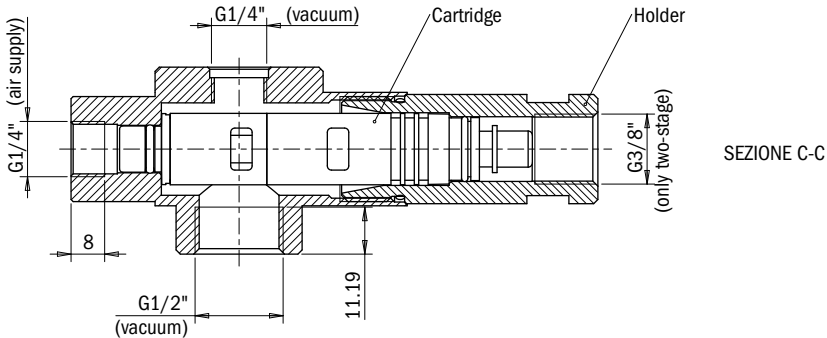
Identification codes

Alphanumeric code	Description	Order code
EJ-SLG-L-LP-2	EJ-SLG-LARGE-LP-2 vacuum pump with holder and integrated silencer	3330113
EJ-SLG-L-LP-3	EJ-SLG-LARGE-LP-3 vacuum pump with holder and integrated silencer	3330114
EJ-SLG-L-HF-2	EJ-SLG-LARGE-HF-2 vacuum pump with holder and integrated silencer	3330115
EJ-SLG-L-HF-3	EJ-SLG-LARGE-HF-3 vacuum pump with holder and integrated silencer	3330116
EJ-SLG-L-HV-2	EJ-SLG-LARGE-HV-2 vacuum pump with holder and integrated silencer	3330117
EJ-SLG-L-HV-3	EJ-SLG-LARGE-HV-3 vacuum pump with holder and integrated silencer	3330118



Identification codes

Alphanumeric code		Description	Order code
EJ-SLG-L-HF-2-H	NEW	EJ-SLG-LARGE-HF-2 vacuum pump with holder	3331115
EJ-SLG-L-HF-3-H	NEW	EJ-SLG-LARGE-HF-3 vacuum pump with holder	3331116



Introduction

Vacuum theory

Suction cups

Vacuum pumps

Customised solutions

Suspensions

System accessories

Identification codes

Alphanumeric code	Description	Order code
VACSW-30-3N203-G	Pre-set vacuum switch PNP -30 kPa with digital output, cable L= 30 cm with M8x1 3-LPn male connector	3030119
VACSW-50-3N203-G	Pre-set vacuum switch PNP -50 kPa with digital output, cable L= 30 cm with M8x1 3-LPn male connector	3030120
VACSW-70-3N203-G	Pre-set vacuum switch PNP -70 kPa with digital output, cable L= 30 cm with M8x1 3-LPn male connector	3030121
VACSW-30-3M203-G	Pre-set vacuum switch NPN -30 kPa with digital output, cable L= 30 cm with M8x1 3-LPn male connector	3030122
VACSW-50-3M203-G	Pre-set vacuum switch NPN -50 kPa with digital output, cable L= 30 cm with M8x1 3-LPn male connector	3030123
VACSW-70-3M203-G	Pre-set vacuum switch NPN -70 kPa with digital output, cable L= 30 cm with M8x1 3-LPn male connector	3030124

