

Vacuum pumps / EJ-SYS

EJ-SYS-MEDIUM

- Ideal for decentralized applications
- Easy installation and positioning thanks to several mounting options
- Anodized aluminum body
- G3/8" vacuum port
- Integrated silencer
- The three-stage cartridge offers a higher initial flow rate, ideal for high speed applications
- Available with two- and three-stage EJ-MEDIUM cartridge (EJ-LP, EJ-HF, EJ-HV)

Typical applications

- Particularly suitable for sealed applications where high speed and reliability is required (EJ-HV)
- Packaging (forming machines, case packers), opening and closing of cardboard boxes (EJ-LP, EJ-HF)
- Pick-and-Place for handling electronic components



Application example



Technical features

Max feed pressure	0.7 MPa
Weight	61 ± 65 g
Material	PA, POM, SS, Al, Nitrile (NBR)
Noise level	< 70 dB

Suction flow rate

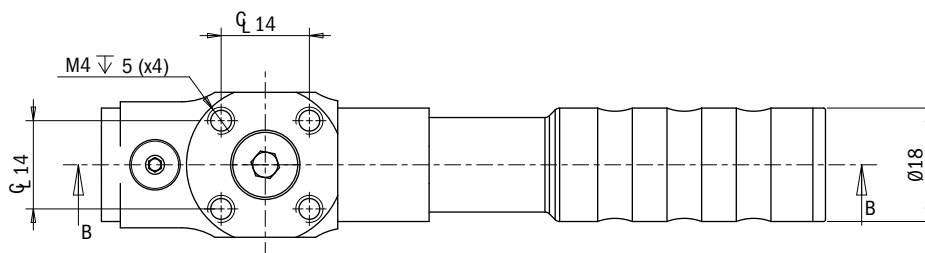
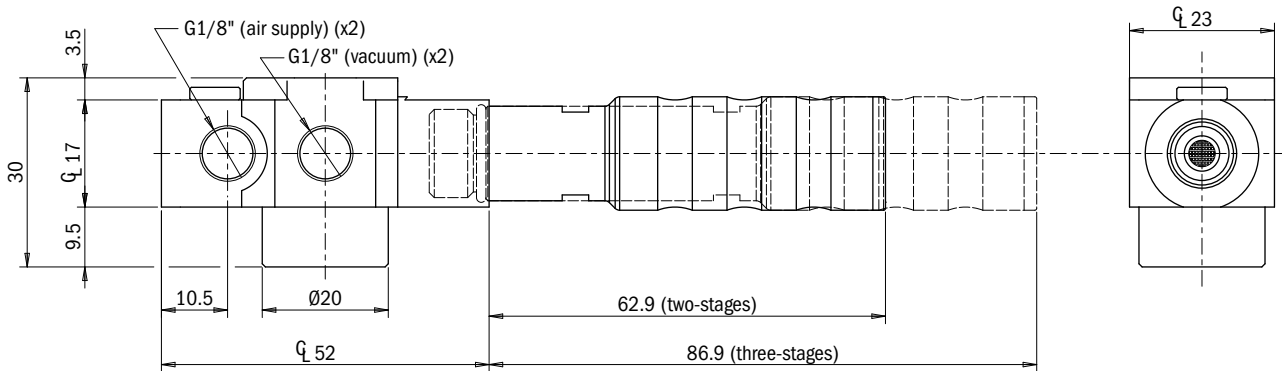
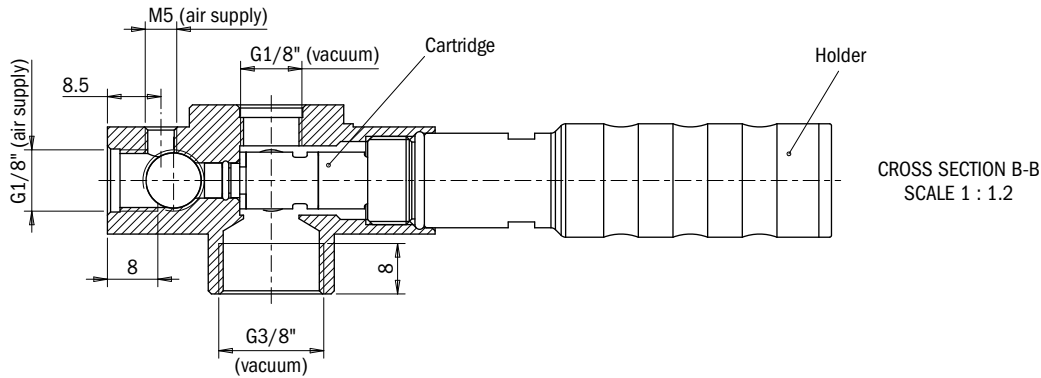
Model	Feed pressure [MPa]	Air consumption [l/s]	Suction flow rate [l/s] at different vacuum levels [kPa]										Max vacuum [kPa]
			0	-10	-20	-30	-40	-50	-60	-70	-80	-90	
EJ-SYS-M-LP-2	0.4	0.55	0.67	0.61	0.53	0.38	0.23	0.12	0.09	0.06	0.02	–	-89
EJ-SYS-M-LP-3	0.4	0.55	1.5	0.71	0.53	0.38	0.23	0.12	0.09	0.06	0.02	–	-89
EJ-SYS-M-HF-2	0.6	0.43	0.78	0.68	0.52	0.31	0.21	0.15	0.10	0.08	–	–	-73
EJ-SYS-M-HF-3	0.6	0.43	1.35	0.75	0.55	0.31	0.21	0.15	0.10	0.08	–	–	-73
EJ-SYS-M-HV-2	0.5	0.47	0.76	0.63	0.54	0.32	0.17	0.15	0.11	0.07	0.05	0.01	-94
EJ-SYS-M-HV-3	0.5	0.47	1.47	0.78	0.54	0.32	0.17	0.15	0.11	0.07	0.05	0.01	-94

For technical specifications, regarding the suction flow rate and the air consumption at different pressures, please refer to the technical data sheets of the EJ-MEDIUM cartridges in the two- and three-stage versions

Evacuation time

Model	Feed pressure [MPa]	Air consumption [NI/s]	Evacuation time [s/l] to reach different vacuum levels [kPa]										Max vacuum [kPa]
			-10	-20	-30	-40	-50	-60	-70	-80	-90		
EJ-SYS-M-LP-2	0.4	0.55	0.17	0.33	0.55	0.9	1.5	2.4	3.7	7.1	—	-89	
EJ-SYS-M-LP-3	0.4	0.55	0.08	0.23	0.44	0.76	1.4	2.4	3.7	7.1	—	-89	
EJ-SYS-M-HF-2	0.6	0.43	0.13	0.30	0.54	0.9	1.5	2.3	3.2	—	—	-73	
EJ-SYS-M-HF-3	0.6	0.43	0.10	0.25	0.48	0.8	1.3	2.3	3.2	—	—	-73	
EJ-SYS-M-HV-2	0.5	0.47	0.14	0.32	0.55	1.0	1.6	2.4	3.5	5.1	8.7	-94	
EJ-SYS-M-HV-3	0.5	0.47	0.08	0.24	0.47	0.88	1.6	2.4	3.5	5.1	8.7	-94	

For technical specifications regarding the evacuation time and the consumption at different pressures, please refer to the technical data sheets of the EJ-MEDIUM cartridges, in the two- and three-stage versions



Identification codes

Alphanumeric code	Description	Order code
EJ-SYS-M-LP-2	EJ-SYS-MEDIUM-LP-2 vacuum pump with holder and integrated silencer	3330093
EJ-SYS-M-LP-3	EJ-SYS-MEDIUM-LP-3 vacuum pump with holder and integrated silencer	3330094
EJ-SYS-M-HF-2	EJ-SYS-MEDIUM-HF-2 vacuum pump with holder and integrated silencer	3330095
EJ-SYS-M-HF-3	EJ-SYS-MEDIUM-HF-3 vacuum pump with holder and integrated silencer	3330096
EJ-SYS-M-HV-2	EJ-SYS-MEDIUM-HV-2 vacuum pump with holder and integrated silencer	3330097
EJ-SYS-M-HV-3	EJ-SYS-MEDIUM-HV-3 vacuum pump with holder and integrated silencer	3330098