

Vacuum pumps / EJ-XPRO

EJ-XPRO

- Vacuum pump with advanced control functions, available with two-stage EJ-LARGE cartridges with non-return valve (EJ-HF, EJ-HV, EJ-LP)
- Energy saving system (ES), with manual and automatic modes, that saves up to 95% of compressed air in sealed applications
- Blow-off mechanism electrically controllable by pin or automatically at each cycle
- Large TFT colour display with intuitive and easy-to-read menu and pump status indications
- Electrical connection via M12 8-pin connector
- It can be installed in series (max 4 units)

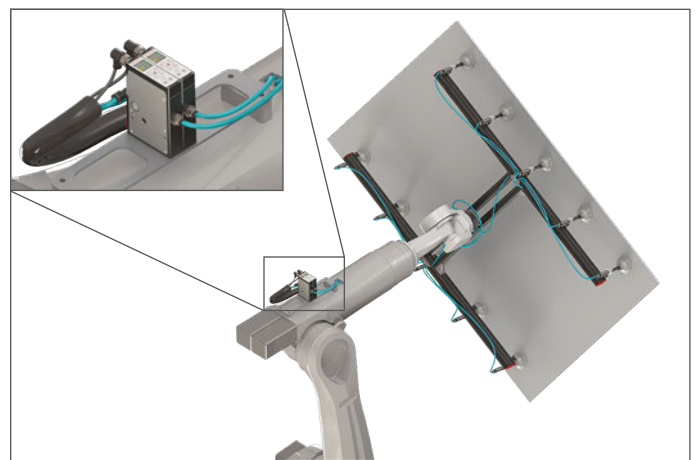
Typical applications

- Unstacking and transfer from presses
- Removal of plastic parts
- Ergonomic manipulators where safety and ease of use are key features
- In applications that require an integrated control system with reduced weight and compact dimensions (electronics sector)
- Handling of objects with high weight and sealed surface (glass/ sheet metal)

NEW



Application example



Pneumatic specifications

Max feed pressure	0.8 MPa
Minimum supply pressure	0.4 MPa
Maximum air consumption for vacuum generation	156 NI/min
Maximum air consumption for blow-off	220 NI/min
Maximum blow-off flow rate	50 NI/min
Maximum suction flow rate	190 NI/min
Maximum blow-off pressure (zero flow rate)	0.25 bar
Valve opening time	≤ 12 ms
Valve closing time	≤ 5 ms
Supply	Dry air
Pneumatic supply connection	G1/4" female
Vacuum channel connection	G1/2" female
Maximum vacuum level	-95 kPa

Technical Features

Operating temperature range	+32 - +140 °F
Mass	800 g
IP rating	IP54
Materials	Alloy 6082-T6, PA66+FG 30%, AISI 303, TPU, PC
Operating voltage	24 Vdc (±10%)
Electrical connection	M12 8-pin male
Manual controls	Yes, monostable buttons
Vacuum transducer response time	1 ms
Vacuum level analogue output	0-5 Vdc
Valve controls	Digital PNP/NPN

Suction flow rate

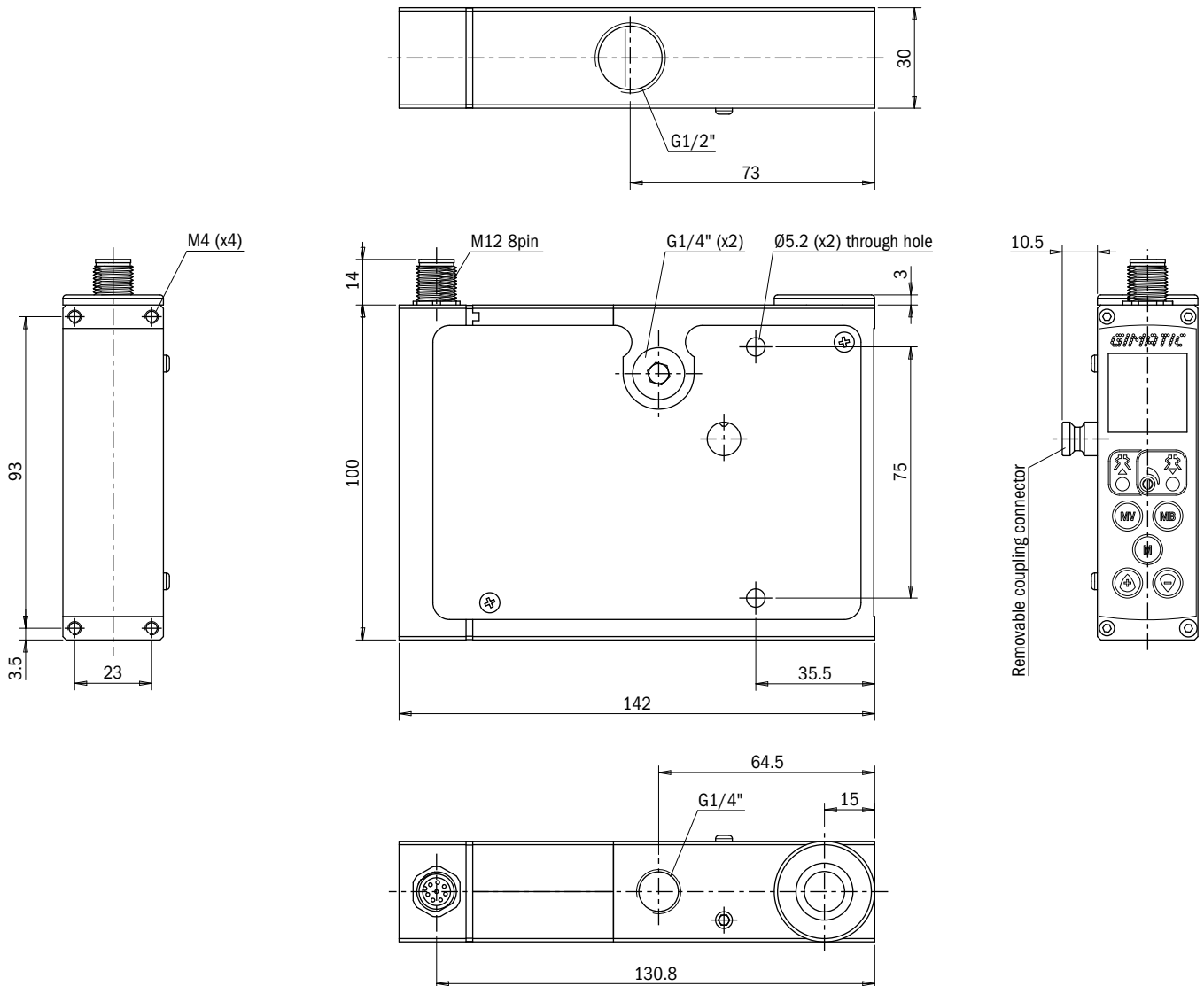
Model	Feed pressure [MPa]	Air consumption [NI/s]	Suction flow rate [NI/s] at different vacuum levels [kPa]										Max vacuum [kPa]
			0	-10	-20	-30	-40	-50	-60	-70	-80	-90	
EJ-XPRO-L-HF-2-NO/NC	0.6	1.7	3.2	3.0	2.5	1.7	0.89	0.62	0.51	0.31	—	—	-73
EJ-XPRO-L-HV-2-NO/NC	0.5	1.93	2.6	2.4	1.7	1.3	0.70	0.55	0.40	0.31	0.15	0.02	-94
EJ-XPRO-L-LP-2-NO/NC	0.4	2.6	2.8	2.5	2.1	1.5	1.1	0.66	0.36	0.26	0.08	—	-89

For technical specifications, regarding the suction flow rate and the air consumption at different pressures, please refer to the technical data sheets of the EJ-LARGE cartridges in the two-stage version

Evacuation time

Model	Feed pressure [MPa]	Air consumption [NI/s]	Evacuation time [s/l] to reach different vacuum levels [kPa]									Max vacuum [kPa]
			-10	-20	-30	-40	-50	-60	-70	-80	-90	
EJ-XPRO-L-HF-2-NO/NC	0.6	1.7	0.03	0.07	0.12	0.19	0.3	0.4	0.7	—	—	-73
EJ-XPRO-L-HV-2-NO/NC	0.5	1.93	0.04	0.09	0.16	0.3	0.4	0.6	0.9	1.3	2.5	-94
EJ-XPRO-L-LP-2-NO/NC	0.4	2.6	0.04	0.07	0.14	0.19	0.3	0.5	0.8	1.4	—	-94

For technical specifications regarding the evacuation time and the consumption at different pressures, please refer to the technical data sheets of the EJ-LARGE cartridges, in the two-stage version



Identification codes

Alphanumeric code	Description	Order code
EJ-XPRO-L-HF-2-NO	Electronically controlled vacuum pump with integrated display, solenoid valves, keypad and 8-pin M12 connector. Large 2-stage HF cartridge with non-return valve and NO vacuum channel. Configurable as PNP or NPN, 24Vdc logic	3400100
EJ-XPRO-L-HV-2-NO	Electronically controlled vacuum pump with integrated display, solenoid valves, keypad and 8-pin M12 connector. Large 2-stage HV cartridge with non-return valve and NO vacuum channel. Configurable as PNP or NPN, 24Vdc logic	3400101
EJ-XPRO-L-LP-2-NO	Electronically controlled vacuum pump with integrated display, solenoid valves, keypad and 8-pin M12 connector. Large 2-stage LP cartridge with non-return valve and NO vacuum channel. Configurable as PNP or NPN, 24Vdc logic	3400102
EJ-XPRO-L-HF-2-NC	Electronically controlled vacuum pump with integrated display, solenoid valves, keypad and 8-pin M12 connector. Large 2-stage HF cartridge with non-return valve and NC vacuum channel. Configurable as PNP or NPN, 24Vdc logic	3400103
EJ-XPRO-L-HV-2-NC	Electronically controlled vacuum pump with integrated display, solenoid valves, keypad and 8-pin M12 connector. Large 2-stage HV cartridge with non-return valve and NC vacuum channel. Configurable as PNP or NPN, 24Vdc logic	3400104
EJ-XPRO-L-LP-2-NC	Electronically controlled vacuum pump with integrated display, solenoid valves, keypad and 8-pin M12 connector. Large 2-stage LP cartridge with non-return valve and NC vacuum channel. Configurable as PNP or NPN, 24Vdc logic	3400105



**Click for Pricing &
Add to Cart**

