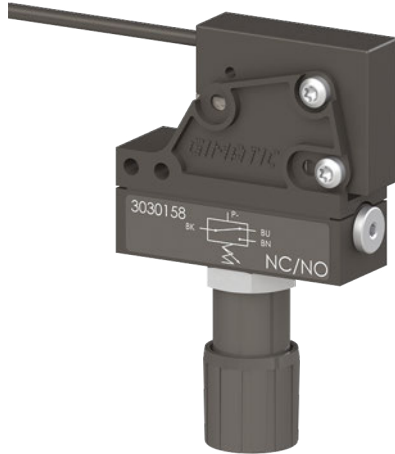


Vacuum switches / VACSE

Electromechanical vacuum switch, NO/NC, adjustable

- Converts a vacuum signal into an electric signal
- Adjustment of the switching threshold by means of screw and handle
- Version with M8 connector output or with free terminals



Technical features

	3030158	3030159
Mass	70 g	70 g
Material	CuZn, PA, PBTP, POM, PVC, SS, Al, Nitrile	CuZn, PA, PBTP, POM, PVC, SS, Al, Nitrile
Temperature range	-4 - +176 °F	-4 - +176 °F
Vacuum connection	M5	M5
Operating pressure range	-15 ÷ -95 kPa	-15 ÷ -95 kPa
Valve configuration	NC, NO	NC, NO
Hysteresis	12 kPa	12 kPa
Cable features	2.5 m long, 3x0.25 mm ²	300 mm with M8 3-pin male connector
IP rating	IP67	IP67
Max current	4 A	1 A
Max supply voltage	250 Vac	220 Vac
Dimensions	64.5 x 48 x 16.5 mm	64.5 x 48 x 16.5 mm

Identification codes		
Alphanumeric code	Description	Order code
VACSE-4N225-G	Vacuum switch, VACSE series, NO/NC microswitch, adjustable with knob, 250 Vac, 4A, IP67, output for round cable, 2.5 m long, 3x0.25mm ²	3030158
VACSE-3N203-G	Vacuum switch, VACSE series, NO/NC microswitch, adjustable with knob, 220 Vac, 1A, IP67, 300 mm cable with M8 3-pin male connector	3030159

