

# Vacuum switches / VACSW

## Pre-set vacuum switch with digital output

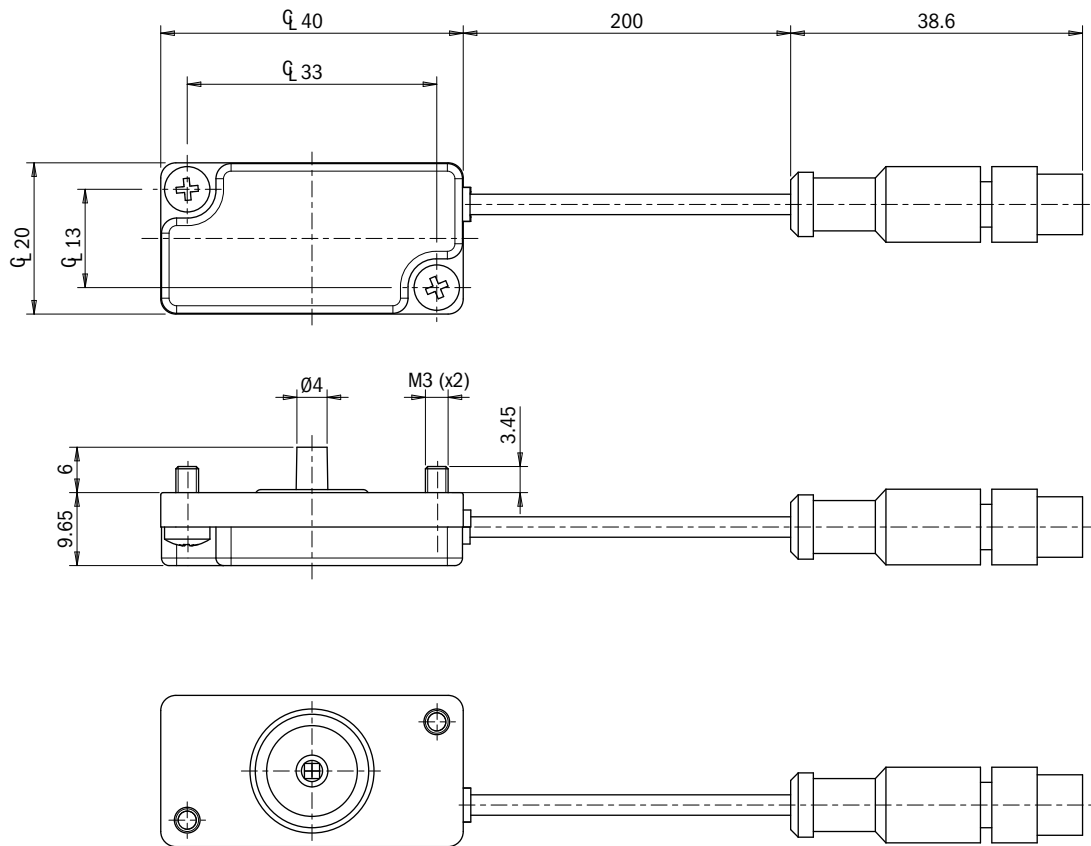
- Converts a vacuum signal into an electric digital signal
- Available in the versions with fixed setting -30, -50 and -70 kPa
- Compact in size and lightweight, reinforced glass fiber
- PNP or NPN output function
- Cable with M8x1 3-pin male connector, L=30 cm
- PWR with 3 LEDs (power supply: green), S1 (output: amber), L (vacuum leakage: red)
- Electrical connectors for wiring supplied separately as accessories L=2.5 m (PVC, PUR)



### Technical features

Maximum overpressure	1 MPa
Weight	9 g
Material	PA66
Temperature range	-4 - +185 °F
Vacuum connection	Ø6 mm
Operating pressure range	0 ÷ -101.3 kPa
Output type	PNP - NPN
Hysteresis	7 kPa
Electrical connection	30-cm cable output with M8 3-pin male connector
Power supply	12 ÷ 24 Vdc (±10%)
IP rating	IP54
Response time	55 ms
Dimensions	40 x 20 x 15 mm

Identification codes		
Alphanumeric code	Description	Order code
VACSW-30-3N203-G	Pre-set vacuum switch, PNP -30 kPa, with digital output, cable L= 30 cm with M8x1 3-pin male connector	3030119
VACSW-50-3N203-G	Pre-set vacuum switch, PNP -50 kPa, with digital output, cable L= 30 cm with M8x1 3-pin male connector	3030120
VACSW-70-3N203-G	Pre-set vacuum switch, PNP -70 kPa, with digital output, cable L= 30 cm with M8x1 3-pin male connector	3030121
VACSW-30-3M203-G	Pre-set vacuum switch NPN -30 kPa with digital output, cable L= 30 cm with M8x1 3-pin male connector	3030122
VACSW-50-3M203-G	Pre-set vacuum switch NPN -50 kPa with digital output, cable L= 30 cm with M8x1 3-pin male connector	3030123
VACSW-70-3M203-G	Pre-set vacuum switch NPN -70 kPa with digital output, cable L= 30 cm with M8x1 3-pin male connector	3030124



Identification codes		
Alphanumeric code	Accessories	Order code
CMGM800320CFGM8003	Extension cable with double M8 3-pin straight male/female connectors, 2 m long cable in PVC material	3030156
CFGM800325	M8 female connector with straight moulded PVC cable	3030146
CFGM800325P	M8 female connector with straight moulded PUR cable	3030148
CFGM890325P	M8 female connector with angled moulded PUR cable	3030149



**Click for Pricing & Add to Cart**