

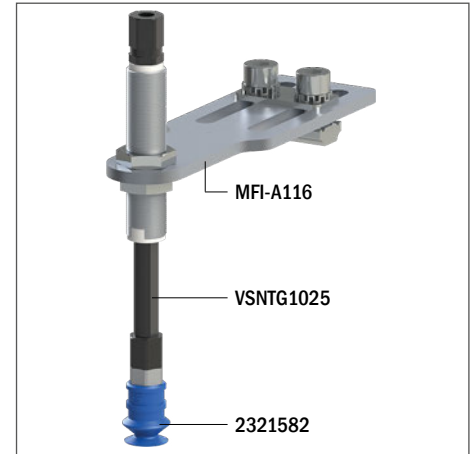
# Suction cups / EPDM-HNBR

## VG.B11 EPDM-HNBR bellows suction cups

- Suitable for handling plastic parts
- Suitable for objects with flat or slightly curved surfaces
- They enable to compensate for differences in height
- The HNBR version enables to work at high temperatures, whereas silicone or other mixtures may release traces of material. Ideal for applications where contamination of the material must be avoided (PWIS)
- The HNBR compound is robust and wear resistant, suitable for the removal of hot plastic parts from the relevant moulds



Application example



### Technical data

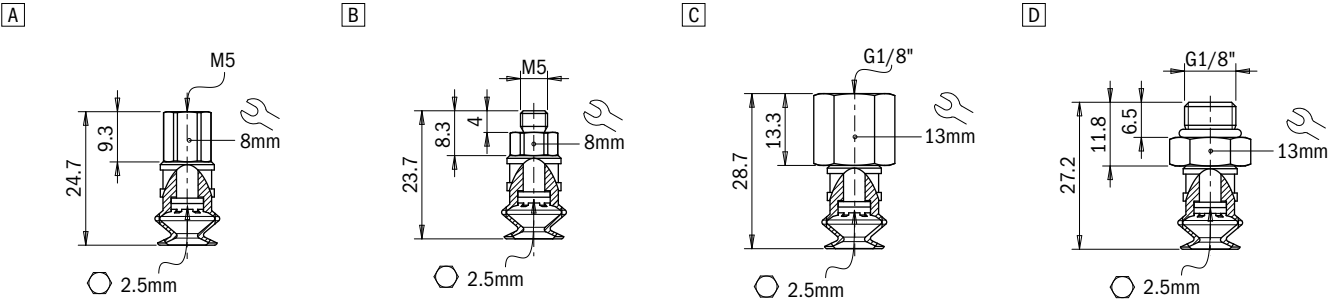
Material	Lifting force [N] perpendicular to the surface, at various vacuum levels			Lifting force [N] parallel to the surface, at various vacuum levels			Volume [cm <sup>3</sup> ]	Min curve radius [mm]	Max vertical movement [mm]	Suction cup weight [g]
	-20 kPa	-60 kPa	-90 kPa	-20 kPa	-60 kPa	-90 kPa				
EPDM 50	1.3	3.4	4.6	1.7	2.42	2.81	0.48	4	4.5	0.7
HNBR 60	1.3	3.4	4.6	1.7	2.42	2.81	0.48	4	4.5	0.7

### Technical features

Material	Color	Hardness	Temperature range
EPDM	Black	50 Shore	-40 - +212 °F
HNBR	Blue	60 Shore	-13 - +302 °F

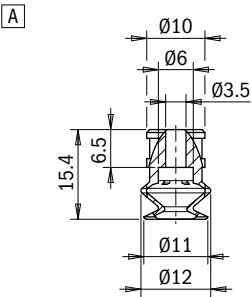
**Identification codes**

Drawing	Alphanumeric code	Suction cups with fitting	Order code
A	VG.B11E.50.M5F.E8	VG.B11 suction cup, EPDM, 50 Shore, M5 female, 8 mm hex	2321580
B	VG.B11E.50.M5M.E8	VG.B11 suction cup, EPDM, 50 Shore, M5 male, 8 mm hex	2321582
C	VG.B11E.50.G18F.E13	VG.B11 suction cup, EPDM, 50 Shore, G1/8" female, 13 mm hex	2321583
D	VG.B11E.50.G18M.E13	VG.B11 suction cup, EPDM, 50 Shore, G1/8" male, 13 mm hex	2321584
A	VG.B11H.60.M5F.E8	VG.B11 suction cup, HNBR, 60 Shore, M5 female, 8 mm hex	2321585
B	VG.B11H.60.M5M.E8	VG.B11 suction cup, HNBR, 60 Shore, M5 male, 8 mm hex	2321587
C	VG.B11H.60.G18F.E13	VG.B11 suction cup, HNBR, 60 Shore, G1/8" female, 13 mm hex	2321588
D	VG.B11H.60.G18M.E13	VG.B11 suction cup, HNBR, 60 Shore, G1/8" male, 13 mm hex	2321589



**Identification codes**

Drawing	Alphanumeric code	Suction cups	Order code
A	VG.B11E.50	VG.B11 suction cup, EPDM, 50 Shore	2321581
A	VG.B11H.60	VG.B11 suction cup, HNBR, 60 Shore	2321586



**Identification codes**

Drawing	Alphanumeric code	Fittings	Order code
A	FT.M5F.E8	M5 female fitting, 8 mm hex	2321408
B	FT.M5M.E8	M5 male fitting, 8 mm hex	2321410
C	FT.G18F.E13	G1/8" female fitting, 13 mm hex	2321412
D	FT.G18M.E13	G1/8" male fitting, 13 mm hex	2321414

