

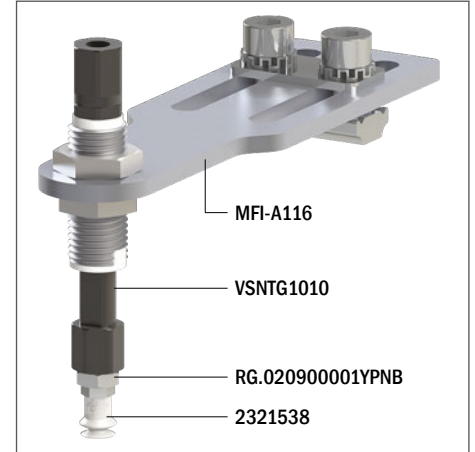
Suction cups / FDA-compliant silicone

VG.B6F bellows suction cups in FDA-compliant silicone

- Food-grade silicone compound (FDA-approved)
- Suitable for high working temperatures
- Suitable for objects with flat or slightly curved surfaces
- They enable to compensate for differences in height



Application example



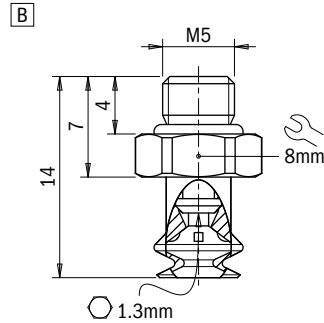
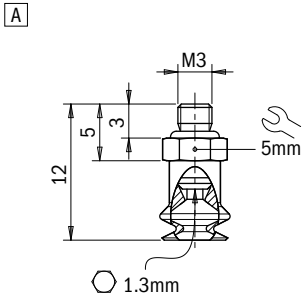
Technical data

Material	Lifting force [N] perpendicular to the surface, at various vacuum levels			Lifting force [N] parallel to the surface, at various vacuum levels			Volume [cm ³]	Min curve radius [mm]	Max vertical movement [mm]	Suction cup weight [g]
	-20 kPa	-60 kPa	-90 kPa	-20 kPa	-60 kPa	-90 kPa				
SIL 50 FDA	0.25	0.78	1.1	–	–	–	0.05	1.5	1.5	0.1

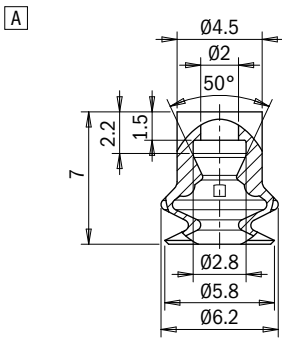
Technical features

Material	Color	Hardness	Temperature range
Silicone, FDA SIL	Transparent	50 Shore	-94 - +392 °F

Identification codes			
Drawing	Alphanumeric code	Suction cups with fitting	Order code
A	VG.B6F.50.M3M.E5	VG.B6 suction cup, FDA-compliant silicone, 50 Shore, M3 Male, 5 mm hex	2321538
B	VG.B6F.50.M5M.E8	VG.B6 suction cup, FDA-compliant silicone, 50 Shore, M5 Male, 8 mm hex	2321038



Identification codes			
Drawing	Alphanumeric code	Suction cups	Order code
A	VG.B6F.50	VG.B6 suction cup, FDA-compliant silicone, 50 Shore	2321539



Identification codes			
Drawing	Alphanumeric code	Fittings	Order code
A	FT.M3M.E5	M3 male fitting, hex, 5 mm	2321402
B	FT.M5M.E8.06	M5 male fitting, hex, 8 mm	2321005

