

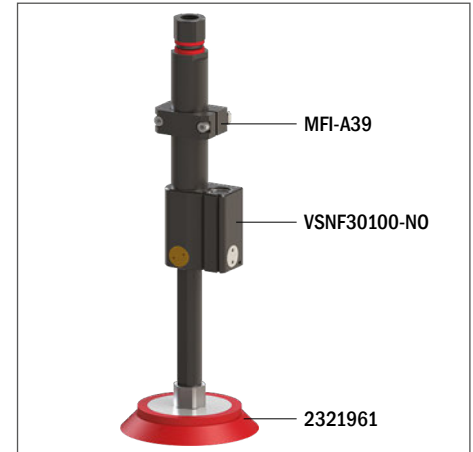
Suction cups / Silicone

VG.CF112 flat suction cups, silicone, with reinforcements

- Ideal for handling plastic parts, dry sheet metal and cardboard
- Suitable for items with flat surfaces
- Suitable for handling items with lifting force parallel to the surface thanks to the reinforcements that increase friction and prevent deformations
- The silicone version enables to work at high and low temperatures



Application example



Technical data

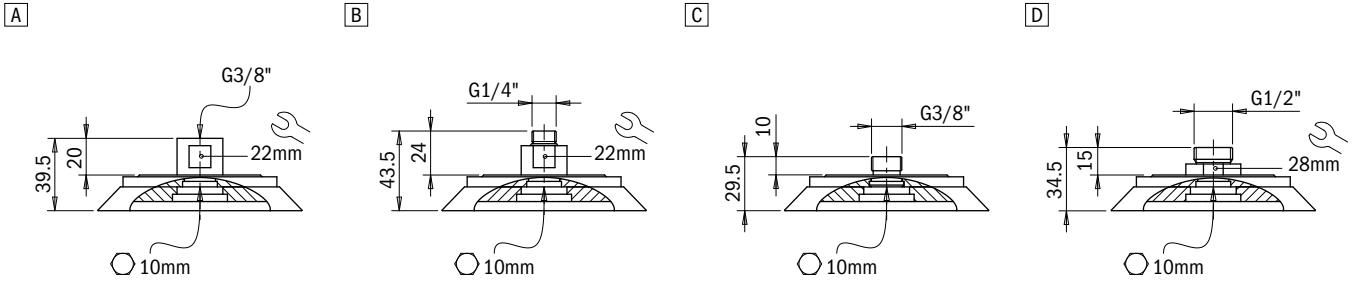
| Material | Lifting force [N] perpendicular to the surface, at various vacuum levels | | | Lifting force [N] parallel to the surface, at various vacuum levels | | | Volume [cm ³] | Min curve radius [mm] | Max vertical movement [mm] | Suction cup weight [g] |
|----------|--|---------|---------|---|---------|---------|------------------------------|--------------------------|-------------------------------|---------------------------|
| | -20 kPa | -60 kPa | -90 kPa | -20 kPa | -60 kPa | -90 kPa | | | | |
| SIL 50 | 160 | 465 | 570 | 145 | 259 | 310 | 70 | 250 | 4 | 80.2 |

Technical features

| Material | Color | Hardness | Temperature range |
|----------|-------|----------|-------------------|
| Silicone | Red | 50 Shore | -94 - +392 °F |

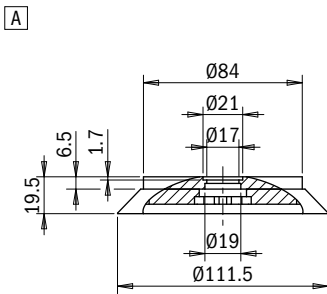
Identification codes

| Drawing | Alphanumeric code | Suction cups with fitting | Order code |
|---------|-------------------|--|------------|
| A | VG.CF112S.50.G38F | VG.CF112 suction cup, silicone, 50 Shore, G3/8" female | 2321958 |
| B | VG.CF112S.50.G14M | VG.CF112 suction cup, silicone, 50 Shore, G1/4" male | 2321960 |
| C | VG.CF112S.50.G38M | VG.CF112 suction cup, silicone, 50 Shore, G3/8" male | 2321961 |
| D | VG.CF112S.50.G12M | VG.CF112 suction cup, silicone, 50 Shore, G1/2" male | 2321962 |



Identification codes

| Drawing | Alphanumeric code | Suction cups | Order code |
|---------|-------------------|--|------------|
| A | VG.CF112S.50 | VG.CF112 suction cup, silicone, 50 Shore | 2321959 |



Identification codes

| Drawing | Alphanumeric code | Fittings | Order code |
|---------|-------------------|----------------------|------------|
| A | FT.G38F | G3/8" female fitting | 1600009 |
| B | FT.G14M.16 | G1/4" male fitting | 1600010 |
| C | FT.G38M.199 | G3/8" male fitting | 1900039 |
| D | FT.G12M.16 | G1/2" male fitting | 1600015 |

