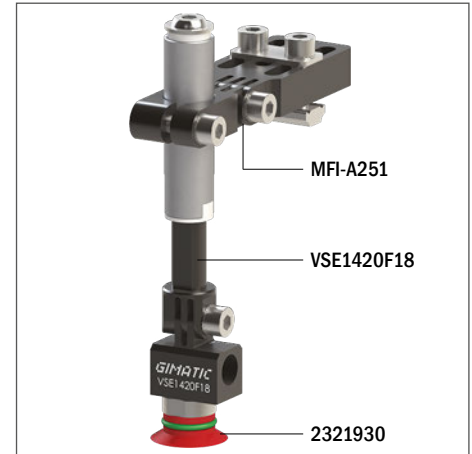


Suction cups / Silicone

VG.CF22 flat suction cups, silicone, with reinforcements

- Ideal for handling plastic parts, dry sheet metal and cardboard
- Suitable for items with flat surfaces
- Suitable for handling items with lifting force parallel to the surface thanks to the reinforcements that increase friction and prevent deformations
- The silicone version enables to work at high and low temperatures

Application example



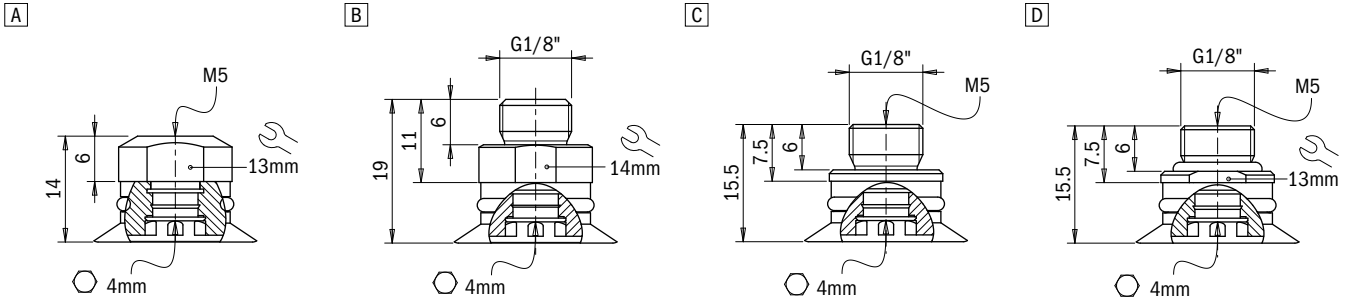
Technical data

Material	Lifting force [N] perpendicular to the surface, at various vacuum levels			Lifting force [N] parallel to the surface, at various vacuum levels			Volume [cm ³]	Min curve radius [mm]	Max vertical movement [mm]	Suction cup weight [g]
	-20 kPa	-60 kPa	-90 kPa	-20 kPa	-60 kPa	-90 kPa				
SIL 50	6.1	13.7	18.7	5.1	8.2	8.5	1	18	1.5	1.1

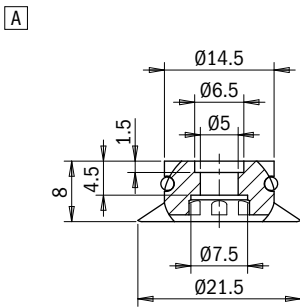
Technical features

Material	Color	Hardness	Temperature range
Silicone	Red	50 Shore	-94 - +392 °F

Identification codes			
Drawing	Alphanumeric code	Suction cups with fitting	Order code
A	VG.CF22S.50.M5F	VG.CF22 suction cup, silicone, 50 shore, M5 female	2321928
B	VG.CF22S.50.G18M	VG.CF22 suction cup, silicone, 50 Shore, G1/8" male	2321930
C	VG.CF22S.50.G18MF	VG.CF22 suction cup, silicone, 50 Shore, G1/8" male/M5 female	2321931
D	VG.CF22S.50.G18MFV	VG.CF22 suction cup, silicone, 50 Shore, G1/8" male/M5 female with valve	2321932



Identification codes			
Drawing	Alphanumeric code	Suction cups	Order code
A	VG.CF22S.50	VG.CF22 suction cup, silicone, 50 Shore	2321929



Identification codes			
Drawing	Alphanumeric code	Fittings	Order code
A	FT.M5F	Fitting, M5 Female	1700006
B	FT.G18M.17	G1/8" male fitting	1700018
C	FT.G18M.M5F	Fitting, G1/8" male/ M5 female	1700016
D	FT.G18M.M5F.VF	G1/8" male / M5 female fitting, with valve	1700017

