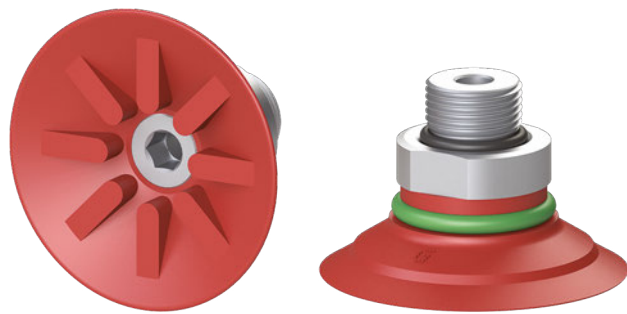


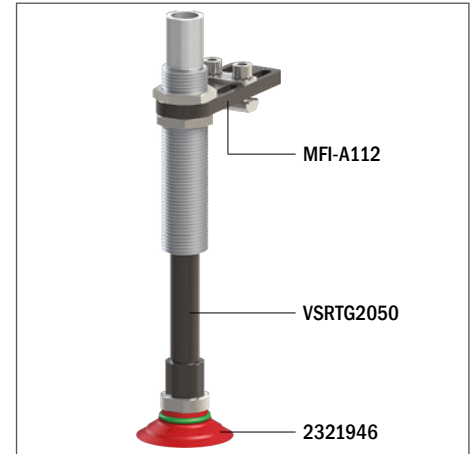
Suction cups / Silicone

VG.CF42 flat suction cups, silicone, with reinforcements

- Ideal for handling plastic parts, dry sheet metal and cardboard
- Suitable for items with flat surfaces
- Suitable for handling items with lifting force parallel to the surface thanks to the reinforcements that increase friction and prevent deformations
- The silicone version enables to work at high and low temperatures



Application example



Technical data

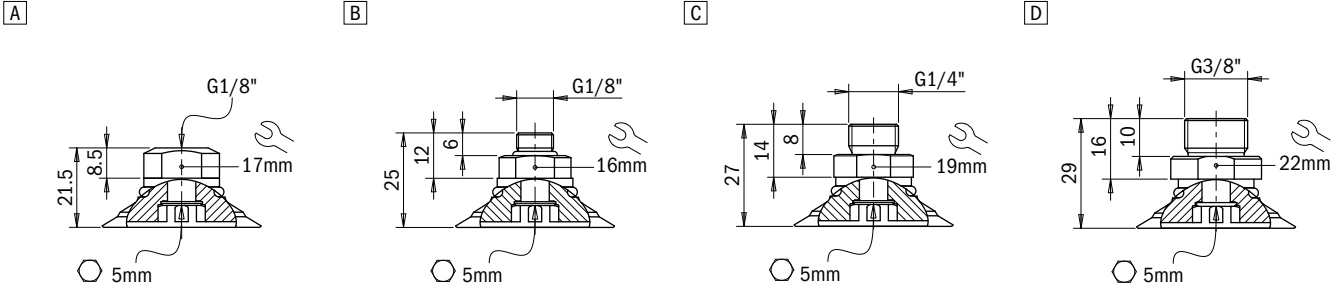
Material	Lifting force [N] perpendicular to the surface, at various vacuum levels			Lifting force [N] parallel to the surface, at various vacuum levels			Volume [cm ³]	Min curve radius [mm]	Max vertical movement [mm]	Suction cup weight [g]
	-20 kPa	-60 kPa	-90 kPa	-20 kPa	-60 kPa	-90 kPa				
SIL 50	21.8	52	68	15	24.5	31	4.8	52	1.8	5.2

Technical features

Material	Color	Hardness	Temperature range
Silicone	Red	50 Shore	-94 - +392 °F

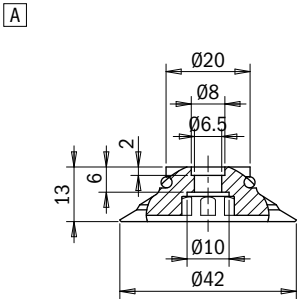
Identification codes

Drawing	Alphanumeric code	Suction cups with fitting	Order code
A	VG.CF42S.50.G18F	VG.CF42 suction cup, silicone, 50 Shore, G1/8" female	2321943
B	VG.CF42S.50.G18M	VG.CF42 suction cup, silicone, 50 Shore, G1/8" male	2321945
C	VG.CF42S.50.G14M	VG.CF42 suction cup, silicone, 50 Shore, G1/4" male	2321946
D	VG.CF42S.50.G38M	VG.CF42 suction cup, silicone, 50 Shore, G3/8" male	2321947



Identification codes

Drawing	Alphanumeric code	Suction cups	Order code
A	VG.CF42S.50	VG.CF42 suction cup, silicone, 50 Shore	2321944



Identification codes

Drawing	Alphanumeric code	Fittings	Order code
A	FT.G18F.18	G1/8" female fitting	1800019
B	FT.G18M.18	G1/8" male fitting	1800018
C	FT.G14M.18	G1/4" male fitting	1800014
D	FT.G38M.18	G3/8" male fitting	1800038

