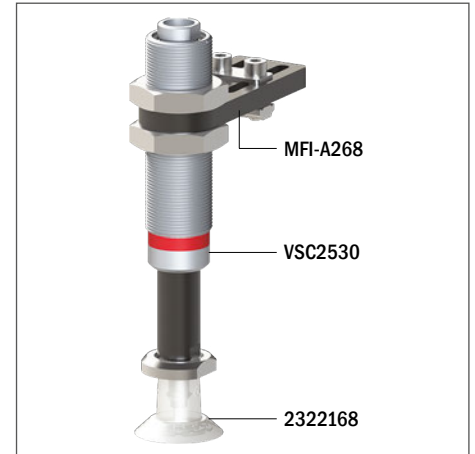


Suction cups / FDA-compliant silicone

VG.F033F flat suction cups in FDA-compliant silicone with reinforcements and thin lip

- Suitable for opening bags and handling thin and delicate objects such as sheets and film
- The internal texture and the thin lip prevent damage to the handled object while maintaining its flatness
- Suction cups in FDA-approved transparent silicone

Application example



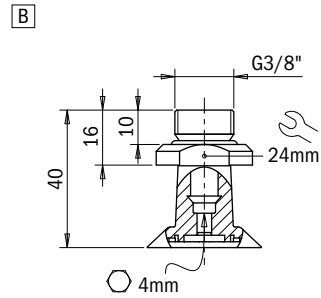
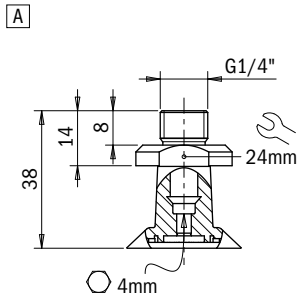
Technical data

Material	Lifting force [N] perpendicular to the surface, at various vacuum levels			Lifting force [N] parallel to the surface, at various vacuum levels			Volume [cm ³]	Min curve radius [mm]	Max vertical movement [mm]	Suction cup weight [g]
	-20 kPa	-60 kPa	-90 kPa	-20 kPa	-60 kPa	-90 kPa				
SIL 50 FDA	16.2	38.3	49.2	13	30	39	2.1	35	1.5	5

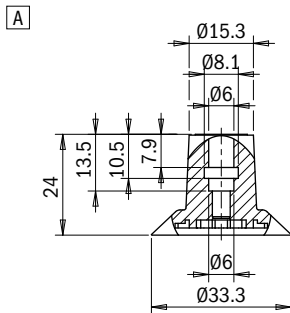
Technical features

Material	Color	Hardness	Temperature range
Silicone, FDA SIL	Transparent	50 Shore	-94 - +392 °F

Identification codes			
Drawing	Alphanumeric code	Suction cups with fitting	Order code
A	VG.F033F.50.G14M	VG.F033 suction cup, FDA-compliant silicone, 50 Shore, G1/4" male	2322168
B	VG.F033F.50.G38M	VG.F033 suction cup, FDA-compliant silicone, 50 Shore, G3/8" male	2322170



Identification codes			
Drawing	Alphanumeric code	Suction cups	Order code
A	VG.F033F.50	VG.F033 suction cup, FDA-compliant silicone, 50 Shore	2322169



Identification codes			
Drawing	Alphanumeric code	Fittings	Order code
A	FT.G14M.30	G1/4" male fitting	3000014
B	FT.G38M.30	G3/8" male fitting	3000038

