

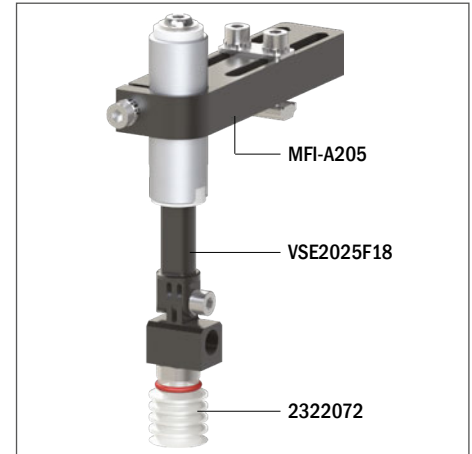
Suction cups / FDA-compliant silicone

VG.FP20F multi-bellows suction cups in FDA-compliant silicone

- The silicone is FDA-compliant and therefore suitable for handling unpackaged food
- Suitable for level compensation
- High vertical movement, useful for separating thin parts
- It can be equipped with a perforated disc to increase stability and to allow the handling of thin films



Application example



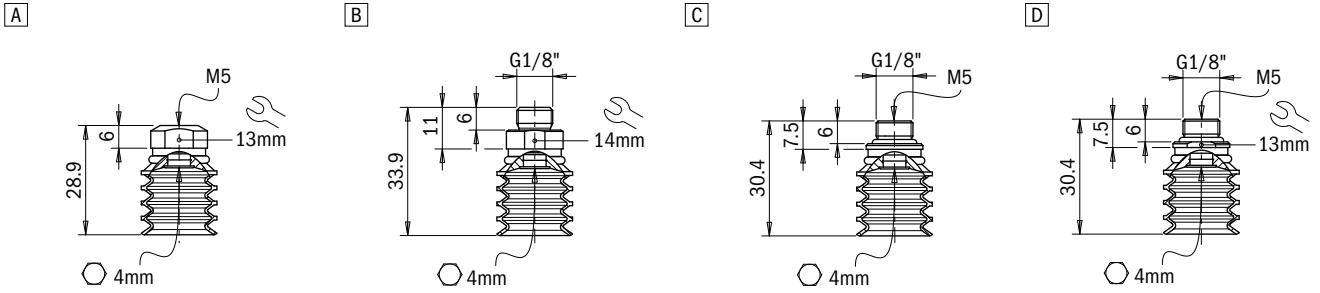
Technical data

Material	Lifting force [N] perpendicular to the surface, at various vacuum levels			Lifting force [N] parallel to the surface, at various vacuum levels			Volume [cm ³]	Min curve radius [mm]	Max vertical movement [mm]	Suction cup weight [g]
	-20 kPa	-60 kPa	-90 kPa	-20 kPa	-60 kPa	-90 kPa				
SIL FDA 50	0.35	0.7	–	–	–	–	4	4	13	3

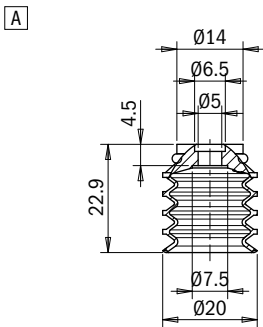
Technical features

Material	Color	Hardness	Temperature range
Silicone, FDA SIL	Transparent	50 Shore	-94 - +392 °F

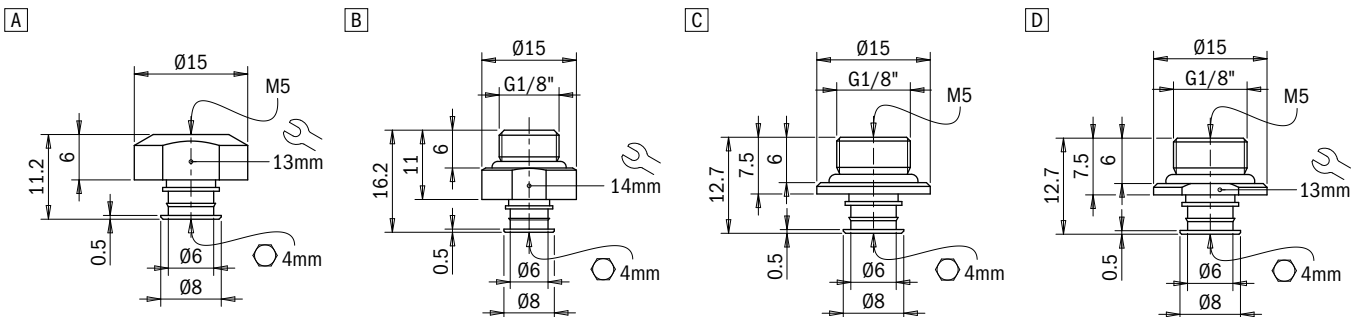
Identification codes			
Drawing	Alphanumeric code	Suction cups with fitting	Order code
A	VG.FP20F.50.M5F	VG.FP20 suction cup, FDA-compliant silicone, 50 Shore, M5 female	2322070
B	VG.FP20F.50.G18M	VG.FP20 suction cup, FDA-compliant silicone, 50 Shore, G1/8" male	2322072
C	VG.FP20F.50.G18MF	VG.FP20 suction cup, FDA-compliant silicone, 50 Shore, G1/8" male / M5 female	2322073
D	VG.FP20F.50.G18MFV	VG.FP20 suction cup, FDA-compliant silicone, 50 Shore, G1/8" male/M5 female with valve	2322074



Identification codes			
Drawing	Alphanumeric code	Suction cups	Order code
A	VG.FP20F.50	VG.FP20 suction cup, FDA-compliant silicone, 50 Shore	2322071



Identification codes			
Drawing	Alphanumeric code	Fittings	Order code
A	FT.M5F	Fitting, M5 female	1700006
B	FT.G18M.17	G1/8" male fitting	1700018
C	FT.G18M.M5F	Fitting, G1/8" male/ M5 female	1700016
D	FT.G18M.M5F.VF	G1/8" male / M5 female fitting, with valve	1700017



Identification codes		
Alphanumeric code	Disc	Order code
AC.DF20	Perforated disc for thin films, diameter 20 mm	2321780