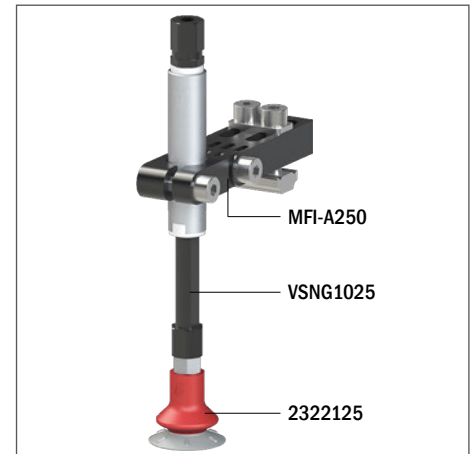


Suction cups / Polyurethane

VG.IS20P bellows suction cups in polyurethane

- Ideal to handle uneven and rough surfaces
- High flexibility: the wide yet thin lip allows for adaptation to uneven surfaces
- Polyurethane material with double hardness, 30/60 Shore
- Good resistance to wear

Application example



Technical data

Material	Lifting force [N] perpendicular to the surface, at various vacuum levels			Lifting force [N] parallel to the surface, at various vacuum levels			Volume [cm ³]	Min curve radius [mm]	Max vertical movement [mm]	Suction cup weight [g]
	-20 kPa	-60 kPa	-90 kPa	-20 kPa	-60 kPa	-90 kPa				
PU30/60	3.7	8.4	9.9	3.2	6.2	9.1	1.04	5.5	4.6	1.2

Technical features

Material	Color	Hardness	Temperature range
Polyurethane PU, 30/60 Shore	Grey / Red	30/60 Shore	+50 - +113 °F

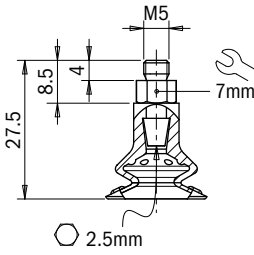
Identification codes

Drawing	Alphanumeric code	Suction cups with fitting	Order code
A	VG.IS20P.30/60.M5M	VG.IS20 suction cup, polyurethane, 30/60 Shore, M5 male	2322125



Click for Pricing & Add to Cart

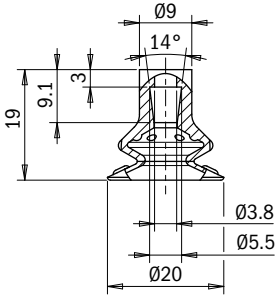
A



Identification codes

Drawing	Alphanumeric code	Suction cups	Order code
A	VG.IS20P.30/60	VG.IS20 suction cup, polyurethane, 30/60 Shore	2322126

A



Identification codes

Drawing	Alphanumeric code	Fittings	Order code
A	FT.M5M	M5 male fitting	1600005

A

