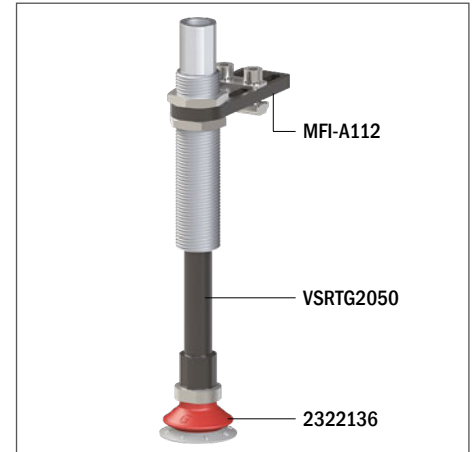


Suction cups / Polyurethane

VG.IS35P bellows suction cups in polyurethane

- Ideal to handle uneven and rough surfaces
- High flexibility: the wide yet thin lip allows for adaptation to uneven surfaces
- Polyurethane material with double hardness, 30/60 Shore
- Good resistance to wear

Application example



Technical data

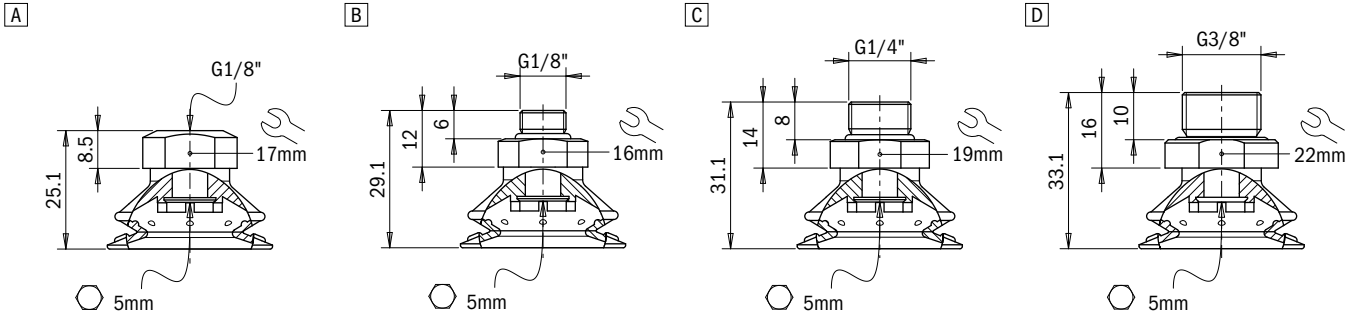
Material	Lifting force [N] perpendicular to the surface, at various vacuum levels			Lifting force [N] parallel to the surface, at various vacuum levels			Volume [cm ³]	Min curve radius [mm]	Max vertical movement [mm]	Suction cup weight [g]
	-20 kPa	-60 kPa	-90 kPa	-20 kPa	-60 kPa	-90 kPa				
PU30/60	12.9	33.4	42.3	13	30	34	4.2	16	9.5	4.1

Technical features

Material	Color	Hardness	Temperature range
Polyurethane PU, 30/60 Shore	Grey / Red	30/60 Shore	+50 - +113 °F

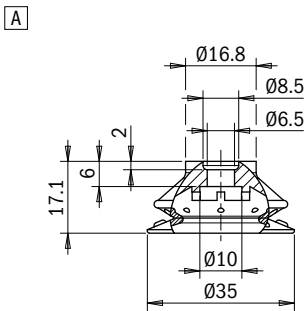
Identification codes

Drawing	Alphanumeric code	Suction cups with fitting	Order code
A	VG.IS35P.30/60.G18F	VG.IS35 suction cup, polyurethane, 30/60 Shore, G1/8" female	2322133
B	VG.IS35P.30/60.G18M	VG.IS35 suction cup, polyurethane, 30/60 Shore, G1/8" male	2322135
C	VG.IS35P.30/60.G14M	VG.IS35 suction cup, polyurethane, 30/60 Shore, G1/4" male	2322136
D	VG.IS35P.30/60.G38M	VG.IS35 suction cup, polyurethane, 30/60 Shore, G3/8" male	2322137



Identification codes

Drawing	Alphanumeric code	Suction cups	Order code
A	VG.IS35P.30/60	VG.IS35 suction cup, polyurethane, 30/60 Shore	2322134



Identification codes

Drawing	Alphanumeric code	Fittings	Order code
A	FT.G18F.18	G1/8" female fitting	1800019
B	FT.G18M.18	G1/8" male fitting	1800018
C	FT.G14M.18	G1/4" male fitting	1800014
D	FT.G38M.18	G3/8" male fitting	1800038

