

Suction cups / Polyurethane

VG.IS45P bellows suction cups in polyurethane

- Ideal to handle uneven and rough surfaces
- High flexibility: the wide yet thin lip allows for adaptation to uneven surfaces
- Polyurethane material with double hardness, 30/60 Shore
- Good resistance to wear

Application example



Technical data

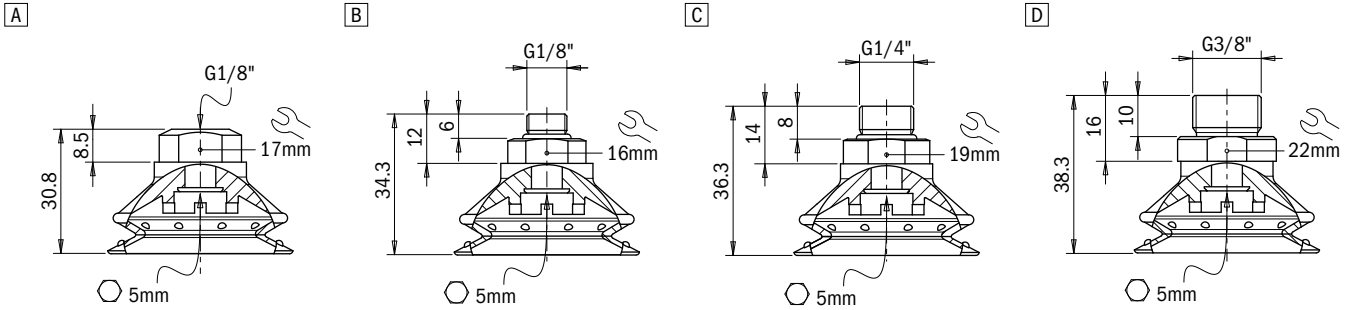
| Material | Lifting force [N] perpendicular to the surface, at various vacuum levels | | | Lifting force [N] parallel to the surface, at various vacuum levels | | | Volume [cm ³] | Min curve radius [mm] | Max vertical movement [mm] | Suction cup weight [g] |
|----------|--|---------|---------|---|---------|---------|------------------------------|--------------------------|-------------------------------|---------------------------|
| | -20 kPa | -60 kPa | -90 kPa | -20 kPa | -60 kPa | -90 kPa | | | | |
| PU30/60 | 20.5 | 44.3 | 63 | 15 | 36 | 42 | 14 | 19 | 12 | 8.8 |

Technical features

| Material | Color | Hardness | Temperature range |
|------------------------------|------------|-------------|-------------------|
| Polyurethane PU, 30/60 Shore | Grey / Red | 30/60 Shore | +50 - +113 °F |

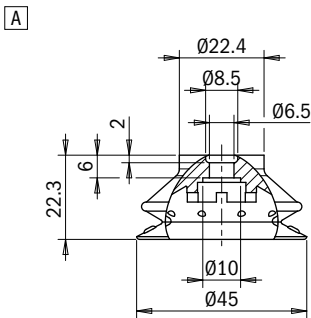
Identification codes

| Drawing | Alphanumeric code | Suction cups with fitting | Order code |
|---------|---------------------|--|------------|
| A | VG.IS45P.30/60.G18F | VG.IS45 suction cup, polyurethane, 30/60 Shore, G1/8" female | 2322138 |
| B | VG.IS45P.30/60.G18M | VG.IS45 suction cup, polyurethane, 30/60 Shore, G1/8" male | 2322140 |
| C | VG.IS45P.30/60.G14M | VG.IS45 suction cup, polyurethane, 30/60 Shore, G1/4" male | 2322141 |
| D | VG.IS45P.30/60.G38M | VG.IS45 suction cup, polyurethane, 30/60 Shore, G3/8" male | 2322142 |



Identification codes

| Drawing | Alphanumeric code | Suction cups | Order code |
|---------|-------------------|--|------------|
| A | VG.IS45P.30/60 | VG.IS45 suction cup, polyurethane, 30/60 Shore | 2322139 |



Click for Pricing & Add to Cart



Identification codes

| Drawing | Alphanumeric code | Fittings | Order code |
|---------|-------------------|----------------------|------------|
| A | FT.G18F.18 | G1/8" female fitting | 1800019 |
| B | FT.G18M.18 | G1/8" male fitting | 1800018 |
| C | FT.G14M.18 | G1/4" male fitting | 1800014 |
| D | FT.G38M.18 | G3/8" male fitting | 1800038 |

