

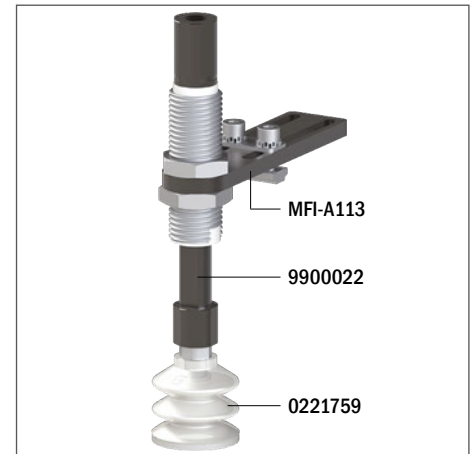
Suction cups / FDA-compliant silicone with ring in silicone foam

VG.LB33F.SFO bellows suction cups in FDA-compliant silicone with silicone foam ring

- Ideal to handle uneven and porous surfaces
- High adaptability on rough wood panels, corrugated sheet metal and non-slip sheet metal
- Ring in mark-free silicone foam
- They enable to compensate for differences in height



Application example

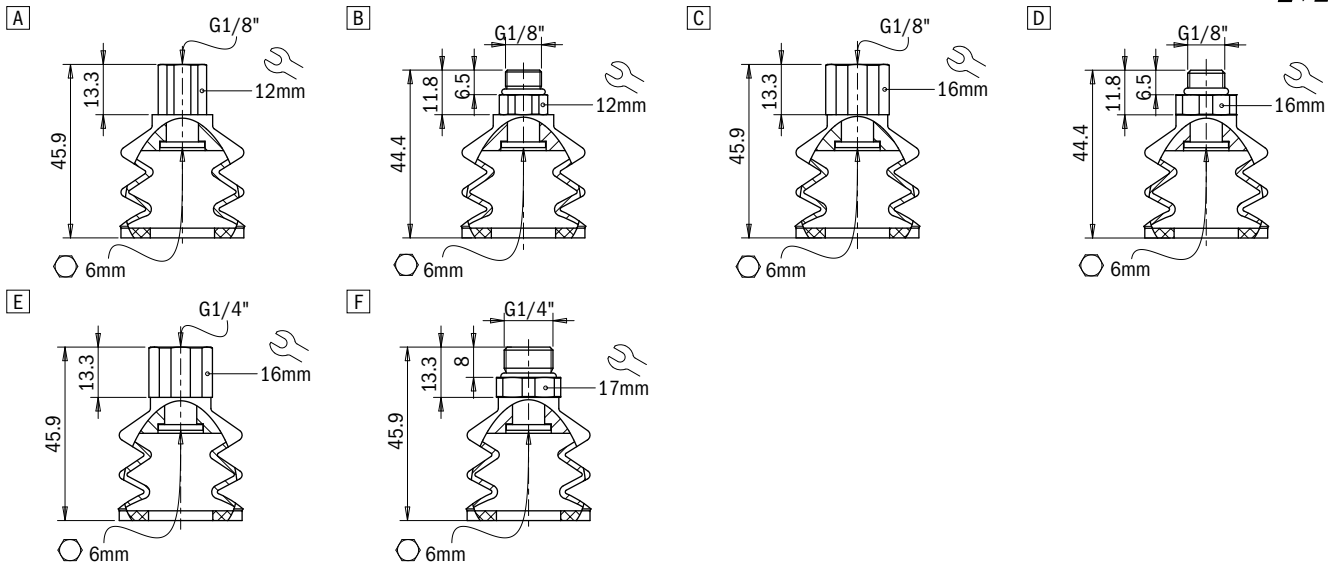


Technical features

| Material | Color | Hardness | Temperature range |
|-------------------|-------------|----------|-------------------|
| Silicone, FDA SIL | Transparent | 50 Shore | -94 - +392 °F |

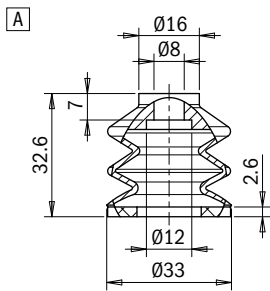
Identification codes

| Drawing | Alphanumeric code | Suction cups with fitting | Order code |
|---------|--------------------------|--|------------|
| A | VG.LB33F.50.G18F.E12.SFO | VG.LB33 suction cup, FDA-compliant silicone, 50 Shore, G1/8" female, 12 mm hex with silicone foam ring | 0221757 |
| B | VG.LB33F.50.G18M.E12.SFO | VG.LB33 suction cup, FDA-compliant silicone, 50 Shore, G1/8" male, 12 mm hex with silicone foam ring | 0221759 |
| C | VG.LB33F.50.G18F.E16.SFO | VG.LB33 suction cup, FDA-compliant silicone, 50 Shore, G1/8" female, 16 mm hex with silicone foam ring | 0221760 |
| D | VG.LB33F.50.G18M.E16.SFO | VG.LB33 suction cup, FDA-compliant silicone, 50 Shore, G1/8" male, 16 mm hex with silicone foam ring | 0221761 |
| E | VG.LB33F.50.G14F.E16.SFO | VG.LB33 suction cup, FDA-compliant silicone, 50 Shore, G1/4" female, 16 mm hex with silicone foam ring | 0221762 |
| F | VG.LB33F.50.G14M.E17.SFO | VG.LB33 suction cup, FDA-compliant silicone, 50 Shore, G1/4" male, 17 mm hex with silicone foam ring | 0221763 |



Identification codes

| Drawing | Alphanumeric code | Suction cups | Order code |
|---------|-------------------|--|------------|
| A | VG.LB33F.50.SFO | VG.LB33 suction cup, FDA-compliant silicone, 50 Shore, with silicone foam ring | 0221758 |



Identification codes

| Drawing | Alphanumeric code | Fittings | Order code |
|---------|-------------------|---------------------------------|------------|
| A | FT.G18F.E12 | G1/8" female fitting, 12 mm hex | 2321422 |
| B | FT.G18M.E12 | G1/8" male fitting, 12 mm hex | 2321424 |
| C | FT.G18F.E16 | G1/8" female fitting, 16 mm hex | 2321426 |
| D | FT.G18M.E16 | G1/8" male fitting, 16 mm hex | 2321428 |
| E | FT.G14F.E16 | G1/4" female fitting, 16 mm hex | 2321430 |
| F | FT.G14M.E17 | G1/4" male fitting, 17 mm hex | 2321432 |

