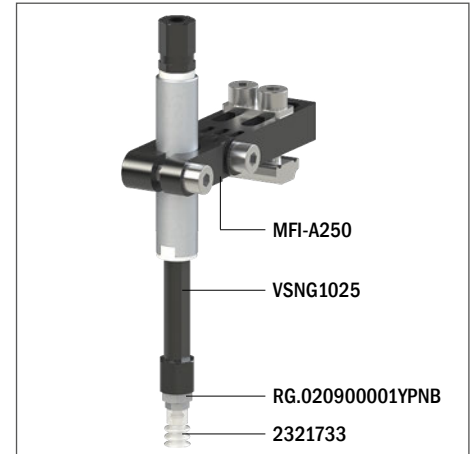


Suction cups / FDA-compliant silicone

VG.LB6F bellows suction cups in FDA-compliant silicone

- Food-grade silicone compound (FDA-approved)
- Suitable for high working temperatures
- Enables to compensate for height differences and work with uneven or porous surfaces
- Ideal for leafing through and picking up fine items

Application example



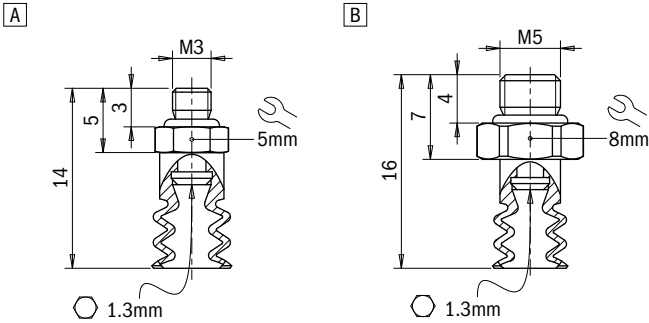
Technical data

Material	Lifting force [N] perpendicular to the surface, at various vacuum levels			Lifting force [N] parallel to the surface, at various vacuum levels			Volume [cm ³]	Min curve radius [mm]	Max vert. movement [mm]	Suction cup weight [g]
	-20 kPa	-60 kPa	-90 kPa	-20 kPa	-60 kPa	-90 kPa				
SIL 50 FDA	0.4	1.1	1.7	–	–	–	0.033	8	3	0.1

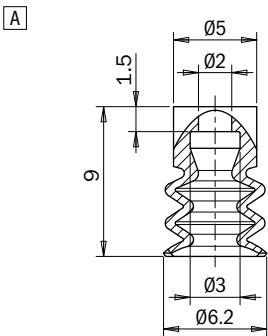
Technical features

Material	Color	Hardness	Temperature range
Silicone, FDA SIL	Transparent	50 Shore	-94 - +392 °F

Identification codes			
Drawing	Alphanumeric code	Suction cups with fitting	Order code
A	VG.LB6F.50.M3M.E5	VG.LB6 suction cup, FDA-compliant silicone, 50 Shore, M3 male, 5 mm hex	2321733
B	VG.LB6F.50.M5M.E8	VG.LB6 suction cup, FDA-compliant silicone, 50 Shore, M5 male, 8 mm hex	2321033



Identification codes			
Drawing	Alphanumeric code	Suction cups	Order code
A	VG.LB6F.50	VG.LB6 suction cup, FDA-compliant silicone, 50 Shore	2321734



Identification codes			
Drawing	Alphanumeric code	Fittings	Order code
A	FT.M3M.E5	M3 male fitting, 5 mm hex	2321402
B	FT.M5M.E8.06	M5 male fitting, 8 mm hex	2321005

