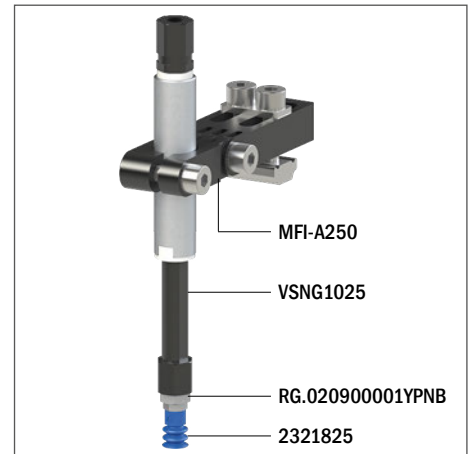


Suction cups / NBR-HNBR

VG.LB6 bellows suction cups in NBR-HNBR

- Suitable for handling plastic parts
- Suitable for objects with flat or slightly curved surfaces
- They enable to compensate for differences in height
- Ideal for leafing through and picking up thin metal sheets, glass sheets, chipboard or pressed wood panels, plastic laminates
- The HNBR version enables to work at high temperatures, whereas silicone or other mixtures may release traces of material. Ideal for applications where contamination of the material must be avoided (PWIS)
- The HNBR compound is robust and wear resistant, suitable for the removal of hot plastic parts from the relevant moulds

Application example



Technical data

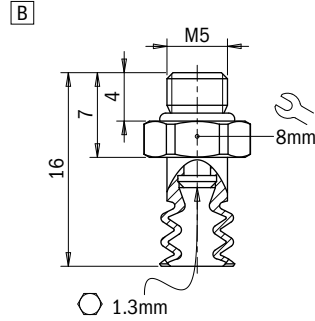
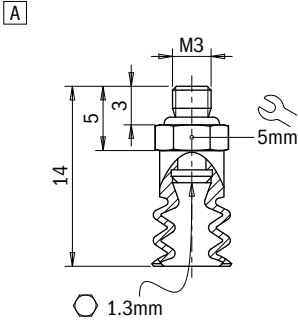
Material	Lifting force [N] perpendicular to the surface, at various vacuum levels			Lifting force [N] parallel to the surface, at various vacuum levels			Volume [cm ³]	Min curve radius [mm]	Max vert. movement [mm]	Suction cup weight [g]
	-20 kPa	-60 kPa	-90 kPa	-20 kPa	-60 kPa	-90 kPa				
NBR 50	0.4	1.1	1.7	–	–	–	0.033	8	3	0.1
HNBR 60	0.4	1.1	1.7	–	–	–	0.033	8	3	0.1

Technical features

Material	Color	Hardness	Temperature range
NBR	Black	50 Shore	-40 - +212 °F
HNBR	Blue	60 Shore	-13 - +302 °F

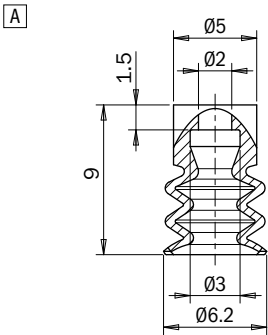
Identification codes

Drawing	Alphanumeric code	Suction cups with fitting	Order code
A	VG.LB6N.50.M3M.E5	VG.LB6 suction cup, NBR, 50 Shore, M3 male, 5 mm hex	2321823
A	VG.LB6H.60.M3M.E5	VG.LB6 suction cup, HNBR, 60 Shore, M3 male, 5 mm hex	2321825
B	VG.LB6N.50.M5M.E8	VG.LB6 suction cup, NBR, 50 Shore, M5 male, 8 mm hex	2321023
B	VG.LB6H.60.M5M.E8	VG.LB6 suction cup, HNBR, 60 Shore, M5 male, 8 mm hex	2321025



Identification codes

Drawing	Alphanumeric code	Suction cups	Order code
A	VG.LB6N.50	VG.LB6 suction cup, NBR, 50 Shore	2321824
A	VG.LB6H.60	VG.LB6 suction cup, HNBR, 60 Shore	2321826



Identification codes

Drawing	Alphanumeric code	Fittings	Order code
A	FT.M3M.E5	M3 male fitting, 5 mm hex	2321402
B	FT.M5M.E8.06	M5 male fitting, 8 mm hex	2321005

