

# Suction cups / Polyurethane

## VG.MF20P flat suction cup with non-slip tread pattern in polyurethane

- Ideal for handling oiled sheet metal in stamping processes
- Special tread pattern that increases friction on lubricated surfaces
- Excellent stability

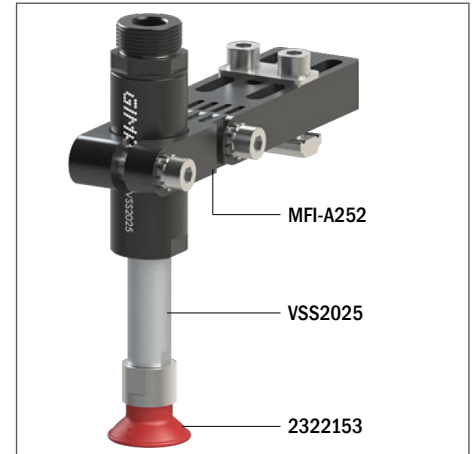
Introduction

Vacuum theory

Suction cups



Application example



Vacuum pumps

Customised solutions

Suspensions

System accessories

### Technical data

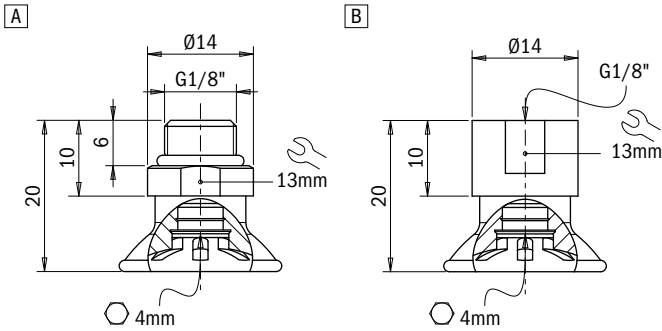
Material	Lifting force [N] perpendicular to the surface, at various vacuum levels			Lifting force [N] parallel to the surface, at various vacuum levels			Volume [cm <sup>3</sup> ]	Min curve radius [mm]	Max vertical movement [mm]	Suction cup weight [g]
	-20 kPa	-60 kPa	-90 kPa	-20 kPa	-60 kPa	-90 kPa				
PU40	5.1	12.4	16.5	5.1	9	12	1	25	1.9	1

### Technical features

Material	Color	Hardness	Temperature range
Polyurethane PU40 Shore	Red	40 Shore	+50 - +113 °F

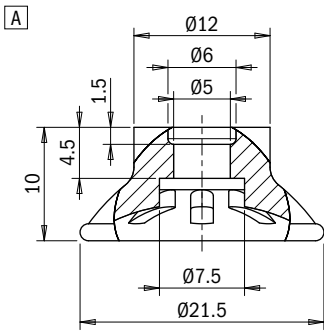
**Identification codes**

Drawing	Alphanumeric code	Suction cups with fitting	Order code
A	VG.MF20P.40.G18M	VG.MF20 suction cup, polyurethane, 40 Shore, G1/8" male	2322151
B	VG.MF20P.40.G18F	VG.MF20 suction cup, polyurethane, 40 Shore, G1/8" female	2322153



**Identification codes**

Drawing	Alphanumeric code	Suction cups	Order code
A	VG.MF20P.40	VG.MF20 suction cup, polyurethane, 40 Shore	2322152



**Click for Pricing & Add to Cart**

**Identification codes**

Drawing	Alphanumeric code	Fittings	Order code
A	FT.G18M.20	G1/8" male fitting	2000018
B	FT.G18F.20	G1/8" female fitting	2000019

