

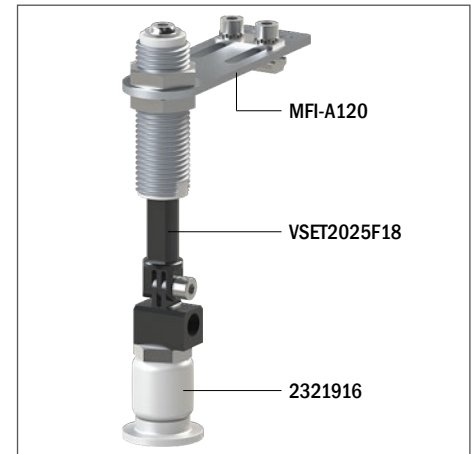
# Suction cups / PTFE

## VG.PAAT flat PTFE suction cups, 16 - 20 - 30 - 40

- Suction cup in PTFE
- Silicone compensator
- Stainless steel fitting
- Suitable for high working temperatures up to 300 °C
- PTFE does not stick to polymers or hot fibres
- The elastic suspension allows axial and angular movements



Application example



### Technical data

Material	Lifting force [N] perpendicular to the surface, at various vacuum levels			Suction cup weight [g]
	-20 kPa	-60 kPa	-90 kPa	
PAAT16R - PTFE	–	6	8	9
PAAT20R - PTFE	–	8.2	13	9
PAAT30R - PTFE	–	9	14	37
PAAT40R - PTFE	–	9.6	15	37

### Technical features

Material	Color	Temperature range
PTFE	White	-4 - +572 °F

### Identification codes

Drawing	Alphanumeric code	Suction cups with fitting	Order code
A	VG.PAAT.16R	VG.PAAT.16R PTFE suction cup, M5 male	2321914
B	VG.PAAT.20R	VG.PAAT.20R PTFE suction cup, M5 male	2321915
C	VG.PAAT.30R	VG.PAAT.30R PTFE suction cup, G1/8" male	2321916
D	VG.PAAT.40R	VG.PAAT.40R PTFE suction cup, G1/8" male	2321917

