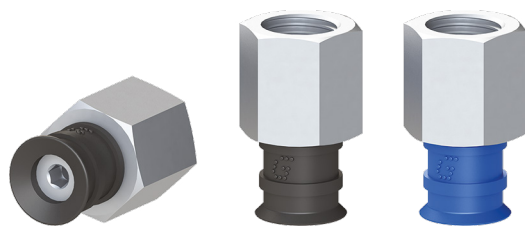


# Suction cups / EPDM-HNBR

## VG.U11 flat EPDM-HNBR suction cups

- Suitable for handling plastic parts
- Suitable for objects with flat or slightly curved surfaces
- The HNBR version enables to work at high temperatures, whereas silicone or other mixtures may release traces of material. Ideal for applications where contamination of the material must be avoided (PWIS)
- The HNBR compound is robust and wear resistant, suitable for the removal of hot plastic parts from the relevant moulds

Application example



### Technical data

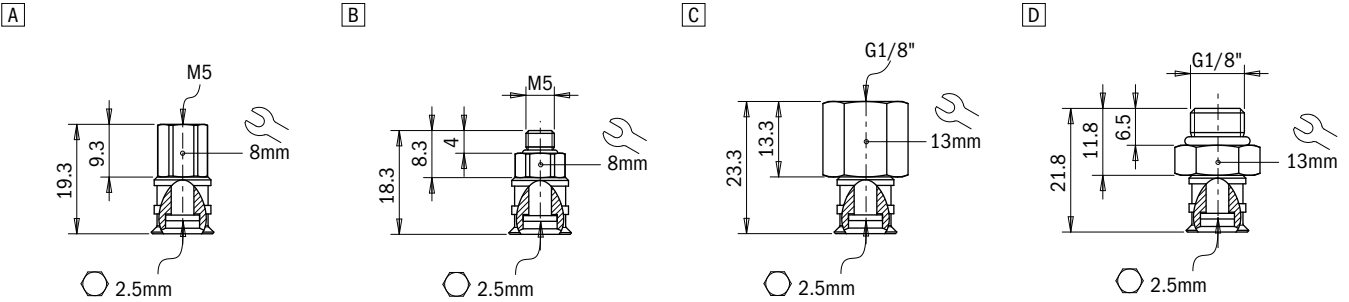
Material	Lifting force [N] perpendicular to the surface, at various vacuum levels			Lifting force [N] parallel to the surface, at various vacuum levels			Volume [cm <sup>3</sup> ]	Min curve radius [mm]	Max vert. movement [mm]	Suction cup weight [g]
	-20 kPa	-60 kPa	-90 kPa	-20 kPa	-60 kPa	-90 kPa				
EPDM 50	1.5	4.1	6.2	1.5	4.1	6.2	0.18	8	0.5	0.5
HNBR 60	1.5	4.1	6.2	1.5	4.1	6.2	0.18	8	0.5	0.5

### Technical features

Material	Color	Hardness	Temperature range
EPDM	Black	50 Shore	-40 - +212 °F
HNBR	Blue	60 Shore	-13 - +302 °F

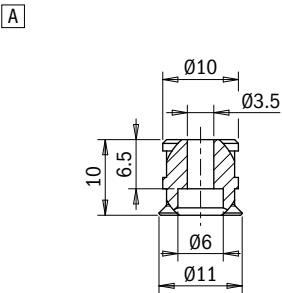
**Ordering information**

Drawing	Alphanumeric code	Suction cups with fitting	Order code
A	VG.U11E.50.M5F.E8	VG.U11 suction cup, EPDM, 50 Shore, M5 female, 8 mm hex	2321462
B	VG.U11E.50.M5M.E8	VG.U11 suction cup, EPDM, 50 Shore, M5 male, 8 mm hex	2321464
C	VG.U11E.50.G18F.E13	VG.U11 suction cup, EPDM, 50 Shore, G1/8" female, 13 mm hex	2321465
D	VG.U11E.50.G18M.E13	VG.U11 suction cup, EPDM, 50 Shore, G1/8" male, 13 mm hex	2321466
A	VG.U11H.60.M5F.E8	VG.U11 suction cup, HNBR, 60 Shore, M5 female, 8 mm hex	2321467
B	VG.U11H.60.M5M.E8	VG.U11 suction cup, HNBR, 60 Shore, M5 male, 8 mm hex	2321469
C	VG.U11H.60.G18F.E13	VG.U11 suction cup, HNBR, 60 Shore, G1/8" female, 13 mm hex	2321470
D	VG.U11H.60.G18M.E13	VG.U11 suction cup, HNBR, 60 Shore, G1/8" male, 13 mm hex	2321471



**Ordering information**

Drawing	Alphanumeric code	Suction cups	Order code
A	VG.U11E.50	VG.U11 suction cup, EPDM, 50 Shore	2321463
A	VG.U11H.60	VG.U11 suction cup, HNBR, 60 Shore	2321468



**Ordering information**

Drawing	Alphanumeric code	Fittings	Order code
A	FT.M5F.E8	M5 female fitting, 8 mm hex	2321408
B	FT.M5M.E8	M5 male fitting, 8 mm hex	2321410
C	FT.G18F.E13	G1/8" female fitting, 13 mm hex	2321412
D	FT.G18M.E13	G1/8" male fitting, 13 mm hex	2321414

