

Suction cups / FDA-compliant silicone

VG.U11F flat FDA-compliant silicone suction cups

- Food-grade silicone compound (FDA-approved)
- Suitable for high working temperatures
- Suitable for objects with flat or slightly curved surfaces

Introduction

Vacuum theory

Suction cups

Vacuum pumps

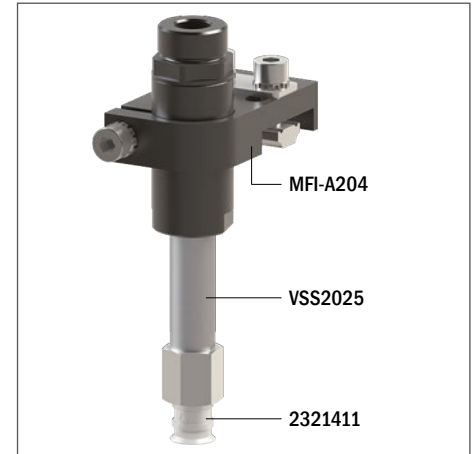
Customised solutions

Suspensions

System accessories



Application example



Technical data

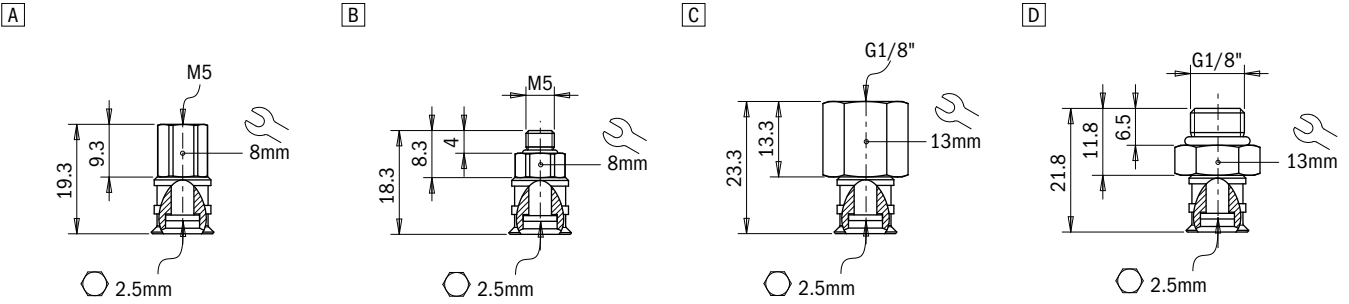
Material	Lifting force [N] perpendicular to the surface, at various vacuum levels			Lifting force [N] parallel to the surface, at various vacuum levels			Volume [cm ³]	Min curve radius [mm]	Max vert. movement [mm]	Suction cup weight [g]
	-20 kPa	-60 kPa	-90 kPa	-20 kPa	-60 kPa	-90 kPa				
SIL 50 FDA	1.5	4.1	6.2	1.5	4.1	6.2	0.18	8	0.5	0.5

Technical features

Material	Color	Hardness	Temperature range
Silicone, FDA SIL	Transparent	50 Shore	-94 - +392 °F

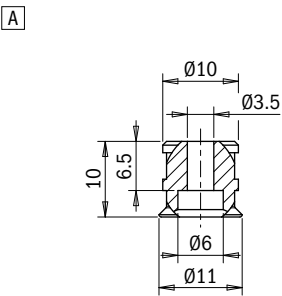
Ordering information

Drawing	Alphanumeric code	Suction cups with fitting	Order code
A	VG.U11F.50.M5F.E8	VG.U11 suction cup, FDA-compliant silicone, 50 Shore, M5 female, 8 mm hex	2321406
B	VG.U11F.50.M5M.E8	VG.U11 suction cup, FDA-compliant silicone, 50 Shore, M5 male, 8 mm hex	2321409
C	VG.U11F.50.G18F.E13	VG.U11 suction cup, FDA-compliant silicone, 50 Shore, G1/8" female, 13 mm hex	2321411
D	VG.U11F.50.G18M.E13	VG.U11 suction cup, FDA-compliant silicone, 50 Shore, G1/8" male, 13 mm hex	2321413



Ordering information

Drawing	Alphanumeric code	Suction cups	Order code
A	VG.U11F.50	VG.U11 suction cup, FDA-compliant silicone, 50 Shore	2321407



Click for Pricing & Add to Cart



Ordering information

Drawing	Alphanumeric code	Fittings	Order code
A	FT.M5F.E8	M5 female fitting, 8 mm hex	2321408
B	FT.M5M.E8	M5 male fitting, 8 mm hex	2321410
C	FT.G18F.E13	G1/8" female fitting, 13 mm hex	2321412
D	FT.G18M.E13	G1/8" male fitting, 13 mm hex	2321414

