

Suction cups / EPDM-HNBR

VG.U22 flat EPDM-HNBR suction cups

- Suitable for handling plastic parts
- Suitable for objects with flat or slightly curved surfaces
- The HNBR version enables to work at high temperatures, whereas silicone or other mixtures may release traces of material. Ideal for applications where contamination of the material must be avoided (PWIS)
- The HNBR compound is robust and wear resistant, suitable for the removal of hot plastic parts from the relevant moulds



Application example



Technical data

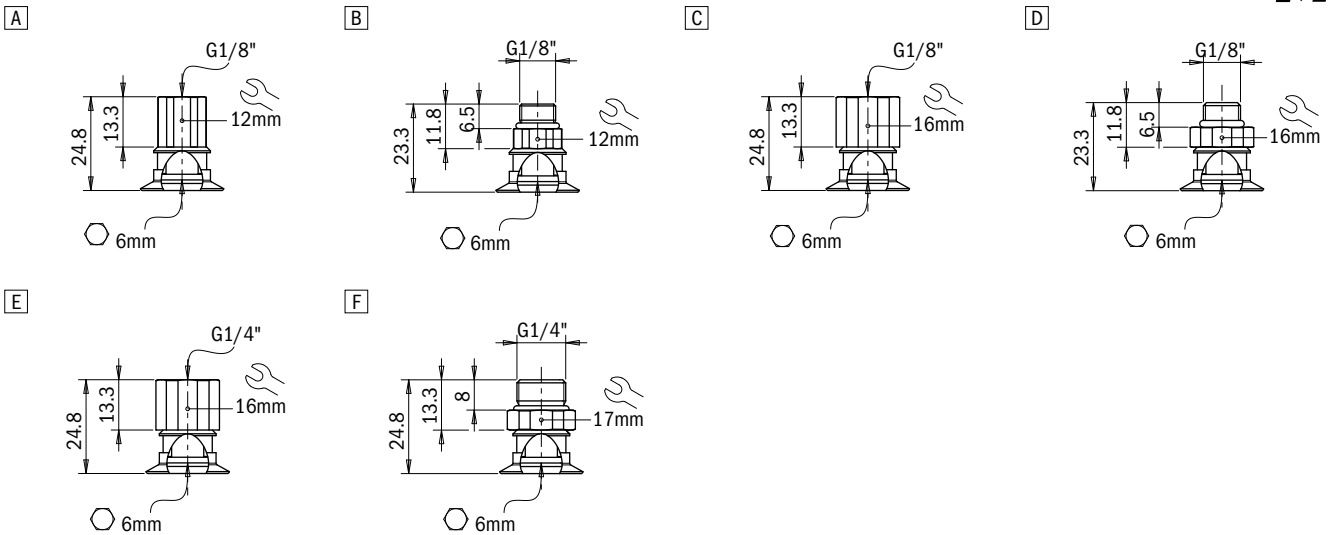
Material	Lifting force [N] perpendicular to the surface, at various vacuum levels			Lifting force [N] parallel to the surface, at various vacuum levels			Volume [cm ³]	Min curve radius [mm]	Max vert. movement [mm]	Suction cup weight [g]
	-20 kPa	-60 kPa	-90 kPa	-20 kPa	-60 kPa	-90 kPa				
EPDM 50	5.6	14	20	6	14	20	1	13	2.5	1.1
HNBR 60	5.6	14	20	6	14	20	1	13	2.5	1.1

Technical features

Material	Color	Hardness	Temperature range
EPDM	Black	50 Shore	-40 - +212 °F
HNBR	Blue	60 Shore	-13 - +302 °F

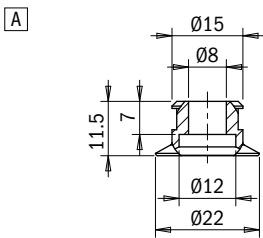
Ordering information

Drawing	Alphanumeric code	Suction cups with fitting	Order code
A	VG.U22E.50.G18F.E12	VG.U22 suction cup, EPDM, 50 Shore, G1/8" female, 12 mm hex	2321482
B	VG.U22E.50.G18M.E12	VG.U22 suction cup, EPDM, 50 Shore, G1/8" male, 12 mm hex	2321484
C	VG.U22E.50.G18F.E16	VG.U22 suction cup, EPDM, 50 Shore, G1/8" female, 16 mm hex	2321485
D	VG.U22E.50.G18M.E16	VG.U22 suction cup, EPDM, 50 Shore, G1/8" male, 16 mm hex	2321486
E	VG.U22E.50.G14F.E16	VG.U22 suction cup, EPDM, 50 Shore, G1/4" female, 16 mm hex	2321487
F	VG.U22E.50.G14M.E17	VG.U22 suction cup, EPDM, 50 Shore, G1/4" male, 17 mm hex	2321488
A	VG.U22H.60.G18F.E12	VG.U22 suction cup, HNBR, 60 Shore, G1/8" female, 12 mm hex	2321489
B	VG.U22H.60.G18M.E12	VG.U22 suction cup, HNBR, 60 Shore, G1/8" male, 12 mm hex	2321491
C	VG.U22H.60.G18F.E16	VG.U22 suction cup, HNBR, 60 Shore, G1/8" female, 16 mm hex	2321492
D	VG.U22H.60.G18M.E16	VG.U22 suction cup, HNBR, 60 Shore, G1/8" male, 16 mm hex	2321493
E	VG.U22H.60.G14F.E16	VG.U22 suction cup, HNBR, 60 Shore, G1/4" female, 16 mm hex	2321494
F	VG.U22H.60.G14M.E17	VG.U22 suction cup, HNBR, 60 Shore, G1/4" male, 17 mm hex	2321495



Ordering information

Drawing	Alphanumeric code	Suction cups	Order code
A	VG.U22E.50	VG.U22 suction cup, EPDM, 50 Shore	2321483
A	VG.U22H.60	VG.U22 suction cup, HNBR, 60 Shore	2321490



Ordering information

Drawing	Alphanumeric code	Fittings	Order code
A	FT.G18F.E12	G1/8" female fitting, 12 mm hex	2321422
B	FT.G18M.E12	G1/8" male fitting, 12 mm hex	2321424
C	FT.G18F.E16	G1/8" female fitting, 16 mm hex	2321426
D	FT.G18M.E16	G1/8" male fitting, 16 mm hex	2321428
E	FT.G14F.E16	G1/4" female fitting, 16 mm hex	2321430
F	FT.G14M.E17	G1/4" male fitting, 17 mm hex	2321432

