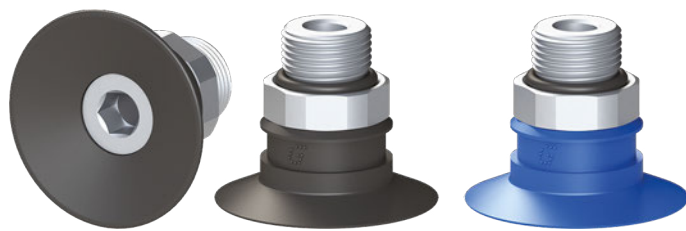


# Suction cups / EPDM-HNBR

## VG.U33 flat EPDM-HNBR suction cups

- Suitable for handling plastic parts
- Suitable for objects with flat or slightly curved surfaces
- The HNBR version enables to work at high temperatures, whereas silicone or other mixtures may release traces of material. Ideal for applications where contamination of the material must be avoided (PWIS)
- The HNBR compound is robust and wear resistant, suitable for the removal of hot plastic parts from the relevant moulds



Application example



### Technical data

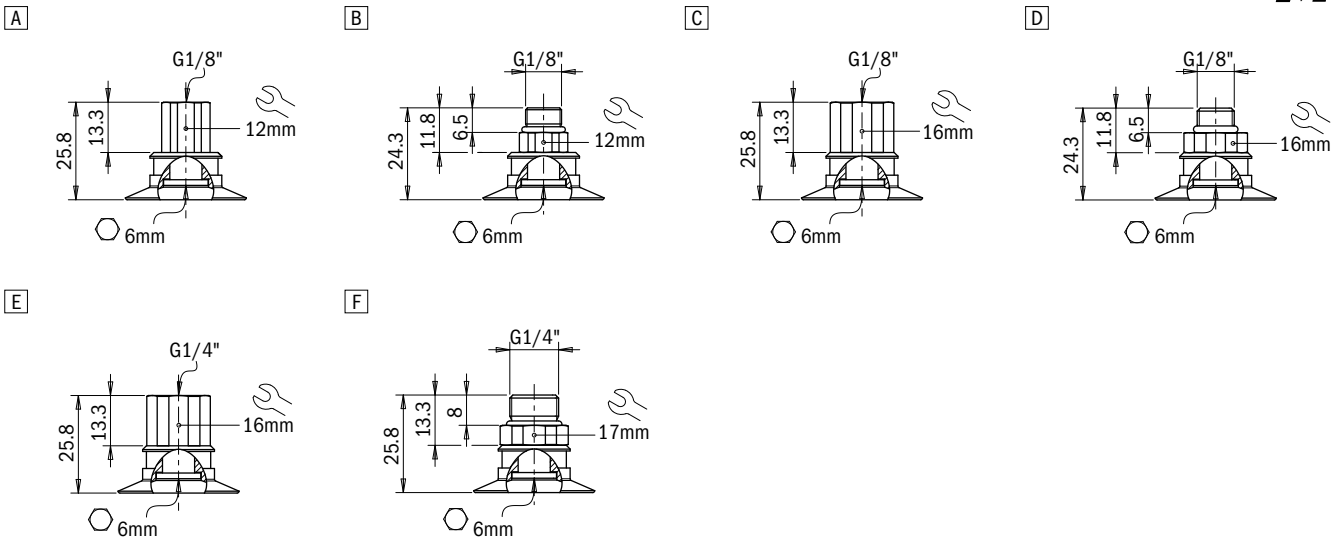
Material	Lifting force [N] perpendicular to the surface, at various vacuum levels			Lifting force [N] parallel to the surface, at various vacuum levels			Volume [cm <sup>3</sup> ]	Min curve radius [mm]	Max vertical movement [mm]	Suction cup weight [g]
	-20 kPa	-60 kPa	-90 kPa	-20 kPa	-60 kPa	-90 kPa				
EPDM 50	11	29	38	8.5	15	12.5	2	20	3.5	2.4
HNBR 60	11	29	38	8.5	15	12.5	2	20	3.5	2.4

### Technical features

Material	Color	Hardness	Temperature range
EPDM	Black	50 Shore	-40 - +212 °F
HNBR	Blue	60 Shore	-13 - +302 °F

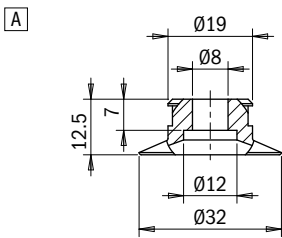
### Identification codes

Drawing	Alphanumeric code	Suction cups with fitting	Order code
A	VG.U33E.50.G18F.E12	VG.U33 suction cup, EPDM, 50 Shore, G1/8" female, 12 mm hex	2321496
B	VG.U33E.50.G18M.E12	VG.U33 suction cup, EPDM, 50 Shore, G1/8" male, 12 mm hex	2321498
C	VG.U33E.50.G18F.E16	VG.U33 suction cup, EPDM, 50 Shore, G1/8" female, 16 mm hex	2321499
D	VG.U33E.50.G18M.E16	VG.U33 suction cup, EPDM, 50 Shore, G1/8" male, 16 mm hex	2321500
E	VG.U33E.50.G14F.E16	VG.U33 suction cup, EPDM, 50 Shore, G1/4" female, 16 mm hex	2321501
F	VG.U33E.50.G14M.E17	VG.U33 suction cup, EPDM, 50 Shore, G1/4" male, 17 mm hex	2321502
A	VG.U33H.60.G18F.E12	VG.U33 suction cup, HNBR, 60 Shore, G1/8" female, 12 mm hex	2321503
B	VG.U33H.60.G18M.E12	VG.U33 suction cup, HNBR, 60 Shore, G1/8" male, 12 mm hex	2321505
C	VG.U33H.60.G18F.E16	VG.U33 suction cup, HNBR, 60 Shore, G1/8" female, 16 mm hex	2321506
D	VG.U33H.60.G18M.E16	VG.U33 suction cup, HNBR, 60 Shore, G1/8" male, 16 mm hex	2321507
E	VG.U33H.60.G14F.E16	VG.U33 suction cup, HNBR, 60 Shore, G1/4" female, 16 mm hex	2321508
F	VG.U33H.60.G14M.E17	VG.U33 suction cup, HNBR, 60 Shore, G1/4" male, 17 mm hex	2321509



**Identification codes**

Drawing	Alphanumeric code	Suction cups	Order code
A	VG.U33E.50	VG.U33 suction cup, EPDM, 50 Shore	2321497
A	VG.U33H.60	VG.U33 suction cup, HNBR, 60 Shore	2321504



**Identification codes**

Drawing	Alphanumeric code	Fittings	Order code
A	FT.G18F.E12	G1/8" female fitting, 12 mm hex	2321422
B	FT.G18M.E12	G1/8" male fitting, 12 mm hex	2321424
C	FT.G18F.E16	G1/8" female fitting, 16 mm hex	2321426
D	FT.G18M.E16	G1/8" male fitting, 16 mm hex	2321428
E	FT.G14F.E16	G1/4" female fitting, 16 mm hex	2321430
F	FT.G14M.E17	G1/4" male fitting, 17 mm hex	2321432

