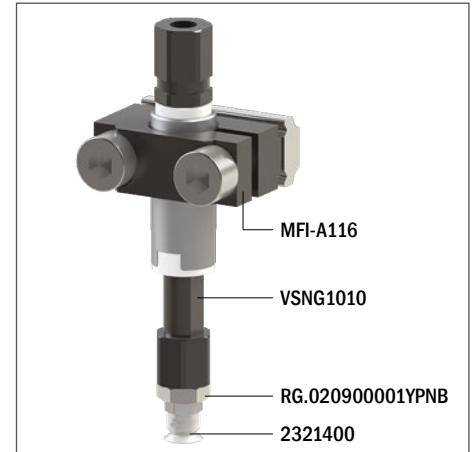


# Suction cups / FDA-compliant silicone

## VG.U6F flat FDA-compliant silicone suction cups

- Food-grade silicone compound (FDA-approved)
- Suitable for high working temperatures
- Suitable for objects with flat or slightly curved surfaces

Application example



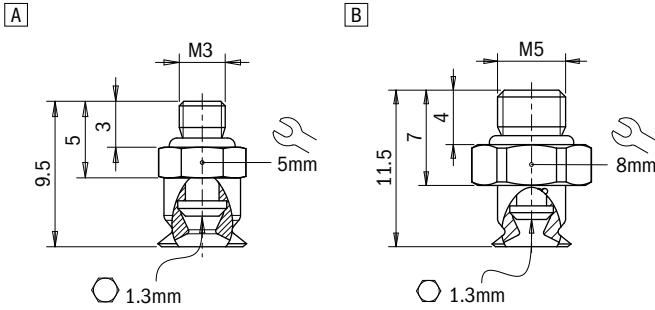
### Technical data

Material	Lifting force [N] perpendicular to the surface, at various vacuum levels			Lifting force [N] parallel to the surface, at various vacuum levels			Volume [cm <sup>3</sup> ]	Min curve radius [mm]	Max vert. movement [mm]	Suction cup weight [g]
	-20 kPa	-60 kPa	-90 kPa	-20 kPa	-60 kPa	-90 kPa				
SIL 50 FDA	0.5	1.5	2.5	0.5	1.3	2.2	0.05	5	0.3	0.14

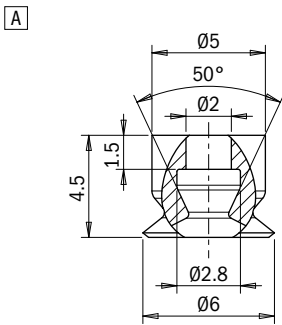
### Technical features

Material	Color	Hardness	Temperature range
Silicone, FDA SIL	Transparent	50 Shore	-94 - +392 °F

Ordering information			
Drawing	Alphanumeric code	Suction cups with fitting	Order code
A	VG.U6F.50.M3M.E5	VG.U6 suction cup, FDA-compliant silicone, 50 Shore, M3 male, 5 mm hex	2321400
B	VG.U6F.50.M5M.E8	VG.U6 suction cup, FDA-compliant silicone, 50 Shore, M5 male, 8 mm hex	2321000



Ordering information			
Drawing	Alphanumeric code	Suction cups	Order code
A	VG.U6F.50	VG.U6 suction cup, FDA-compliant silicone, 50 Shore	2321401



Ordering information			
Drawing	Alphanumeric code	Fittings	Order code
A	FT.M3M.E5	M3 male fitting, 5 mm hex	2321402
B	FT.M5M.E8.06	M5 male fitting, 8 mm hex	2321005

