

Pneumatic indexing tables (series ITSC)

- Available in two sizes with 4, 6 or 8 positions.
- Available clockwise or counter clockwise (ending A).
- High torque.
- Suitable for heavy loads.
- Through hole for cables and hoses.
- Reduced weight and overall dimensions.



ITSC-16...

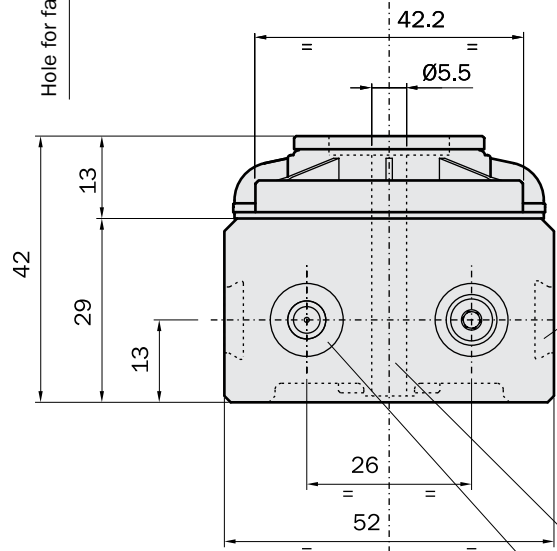
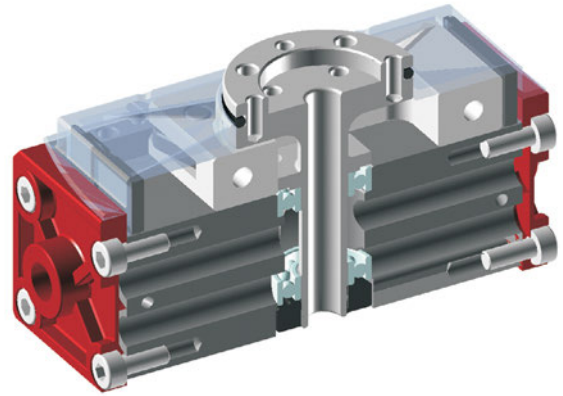
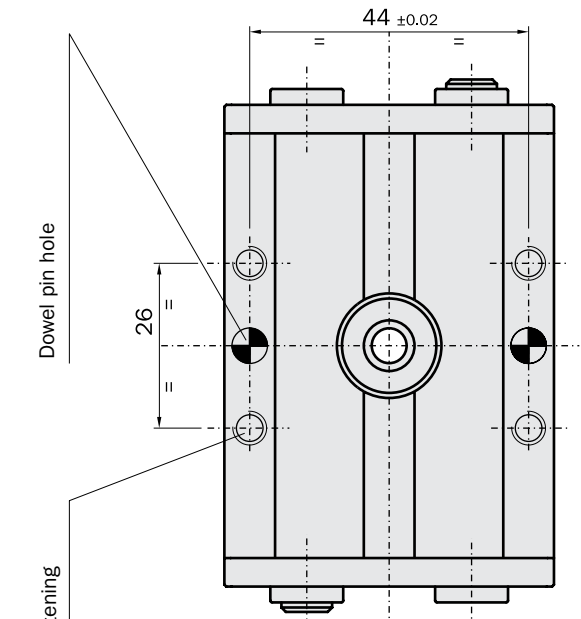


ITSC-45...

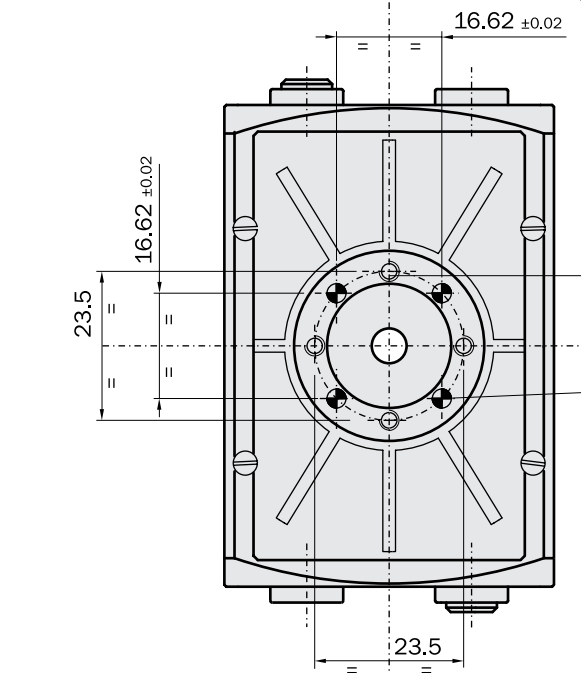
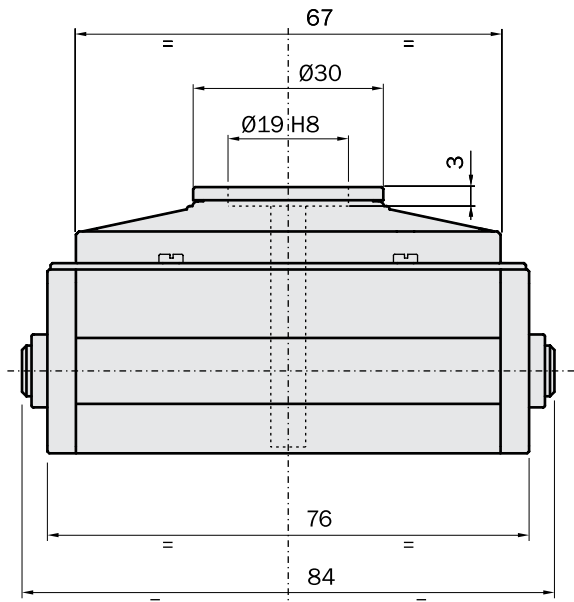
	ITSC-164 ITSC-164A	ITSC-166 ITSC-166A	ITSC-168 ITSC-168A	ITSC-454 ITSC-454A	ITSC-456 ITSC-456A	ITSC-458 ITSC-458
Medium	Compressed air in compliance with ISO 8573-1:2010 [7:4:4]					
Pressure range	2.5 ÷ 8 bar					
Temperature range	5° ÷ 60°C.					
Swivelling angle	4x90°	6x60°	8x45°	4x90°	6x60°	8x45°
Theoretical torque at 6 bar	1364 Nmm	1672 Nmm	1814 Nmm	22902 Nmm	26442 Nmm	28208 Nmm
Air consumption	8 cm ³ x90°	7 cm ³ x60°	7 cm ³ x45°	159 cm ³ x90°	146 cm ³ x60°	136 cm ³ x45°
Indexing time without load	0.10 s x90°	0.08 s x60°	0.06 s x45°	0.15 s x90°	0.12 s x60°	0.09 s x45°
Angular precision	± 0.12°	± 0.12°	± 0.12°	± 0.12°	± 0.12°	± 0.12°
Positioning repeatability (360°)	± 0.02°	± 0.02°	± 0.02°	± 0.02°	± 0.02°	± 0.02°
Weight	320 g	320 g	320 g	3740 g	3740 g	3960 g

Dimensions (mm)

ITSC-16...



CB series sensor groove



Through hole

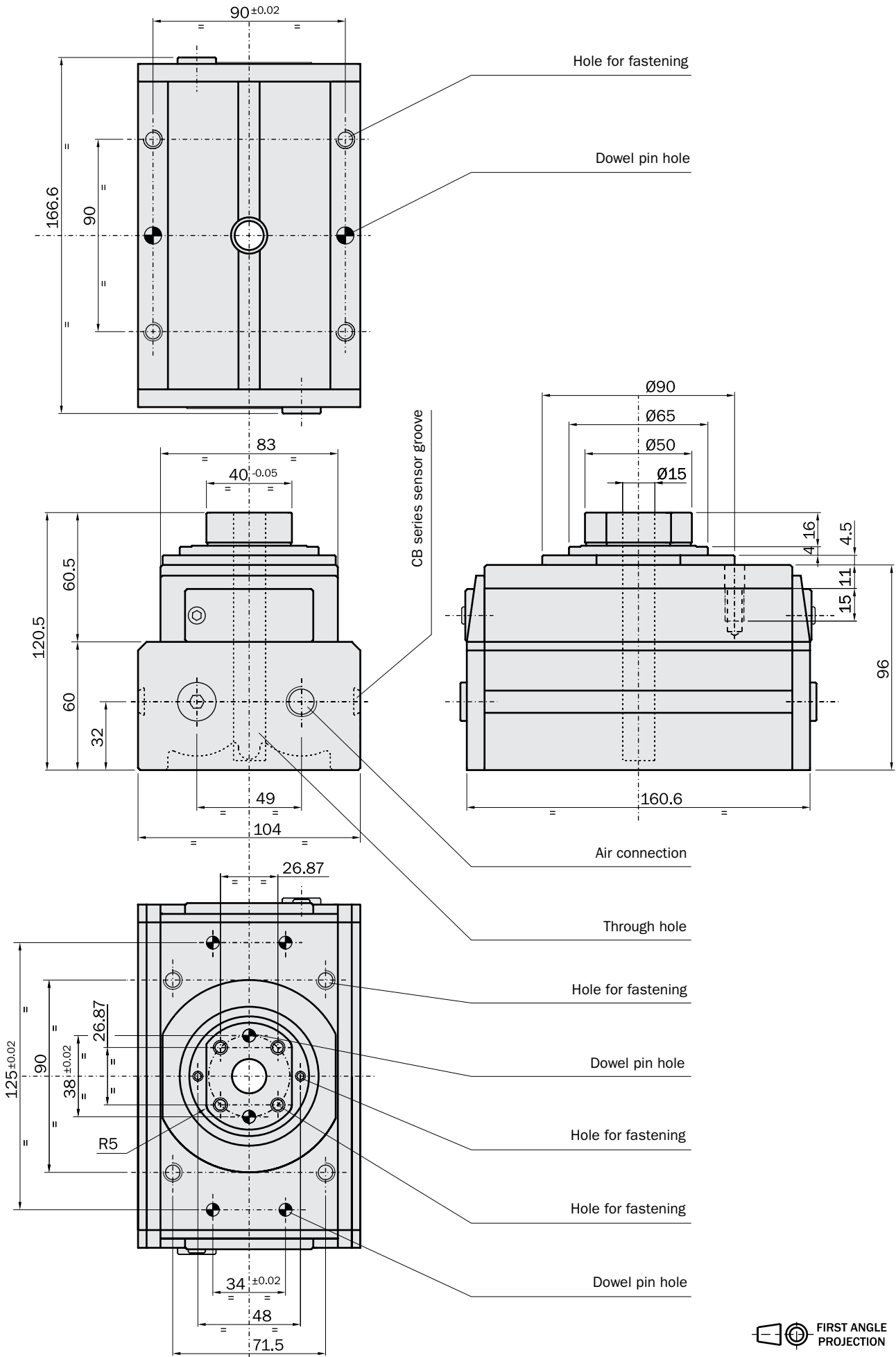
Air connection

Hole for fastening

Dowel pin hole

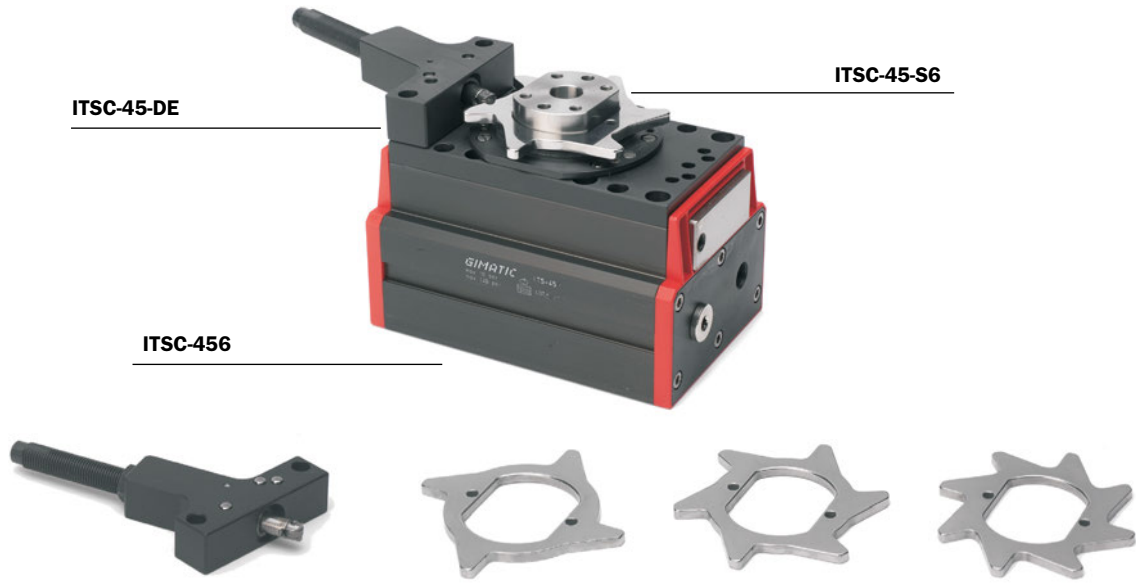


Dimensions (mm)



Shock-absorbers

Accessories for ITSC-45... are available to dissipate kinetic energy by means of one or two shock-absorbers. They allow shorter indexing times.



	ITSC-45-DE	ITSC-45-S4	ITSC-45-S6	ITSC-45-S8
Description	Shock-absorber with housing	4-cam crown	6-cam crown	8-cam crown
Weight	290 g	90 g	105 g	120 g
To use on:	ITSC-45...	ITSC-454 ITSC-454-A	ITSC-456 ITSC-456-A	ITSC-458 ITSC-458-A

Kinetic energy

