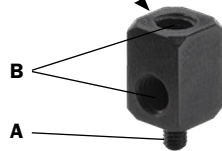
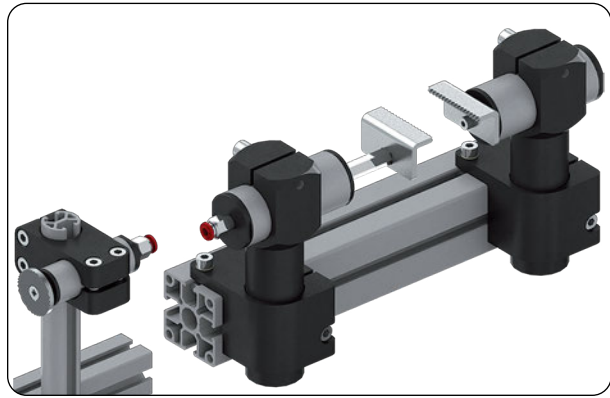
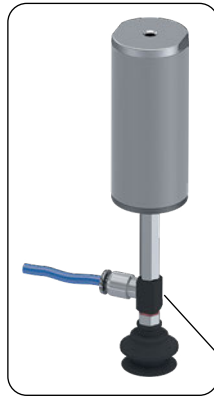
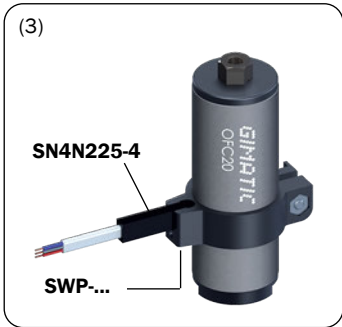
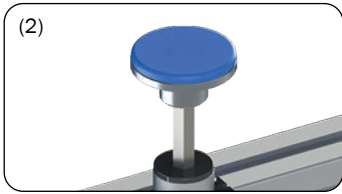


General purpose, single-acting, anti-rotation mini cylinders

- Piston bore: 10mm, 16mm, 25mm.
- Stroke: 10mm, 20mm, 30mm.
- Several accessories MFI... for the clamp mounting on the external diameter (1).
- Several accessories to be mounted on the rod (2).
- Optional sensors and clamps (3).
- Food grade grease FDA-H1.



	MFI-A361	MFI-A362	MFI-A364	MFI-A365
A	M5	G1/8	M4	M3
B	M5	G1/8	M5	M5

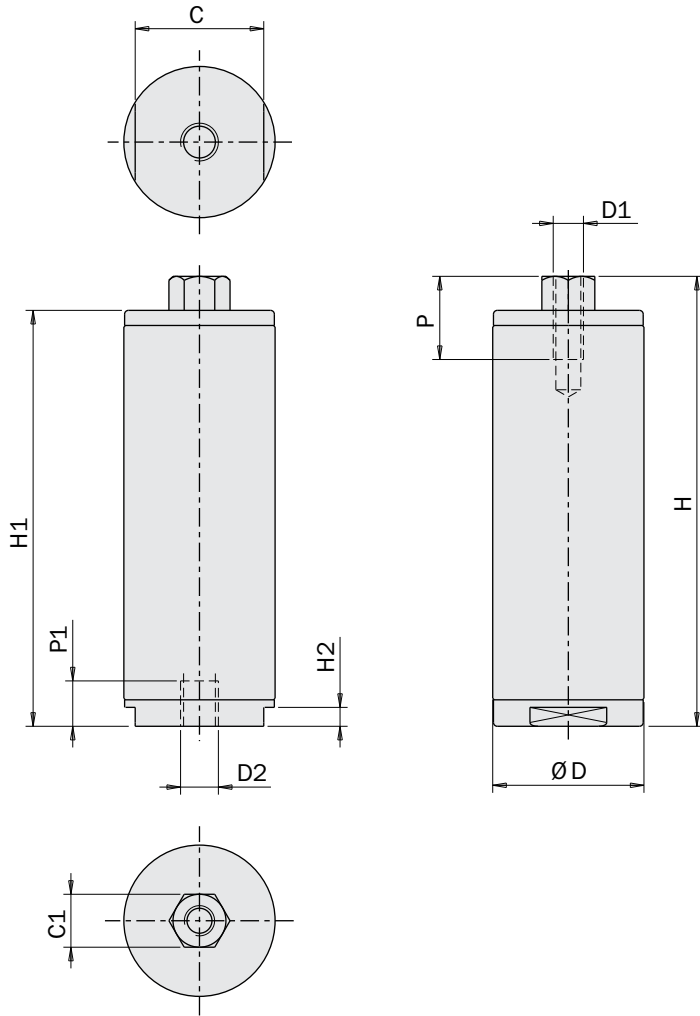


	OFC14-10	OFC20-20	OFC30-30
Medium	Compressed air in compliance with ISO 8573-1:2010 [7:4:4]		
Pressure range	2 ÷ 8 bar		
Temperature range	5° ÷ 60 °C.		
Stroke	10 mm	20 mm	30 mm
Piston bore	Ø10 mm	Ø16 mm	Ø25 mm
Closing force at 0 bar	4 N	8 N	23 N
Opening force at 6 bar	43 N	113 N	271 N
Cycle air consumption	1 cm ³	4 cm ³	15 cm ³
Weight	20 g	40 g	85 g

[Click for Pricing & Add to Cart](#)



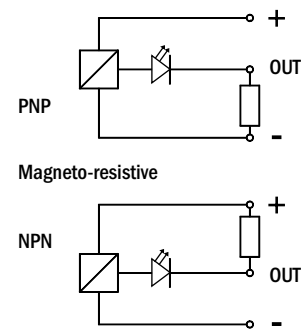
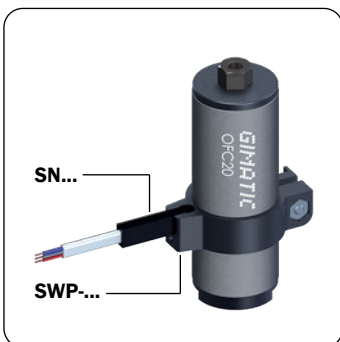
Dimensions (mm)



	OFC14-10	OFC20-20	OFC30-30
C	12	17	27
C1	5.5	7	7
D	Ø14	Ø20	Ø30
D1	M3	M4	M4
D2	M5	M5	M5
H	50	59.5	75
H1	45.5	55	70.5
H2	2.5	2.5	2.5
P	7	9	9
P1	6	6	6

FIRST ANGLE PROJECTION

OFC	SWP...
OFC14-10	SWP-014
OFC20-20	SWP-020
OFC30-30	SWP-030



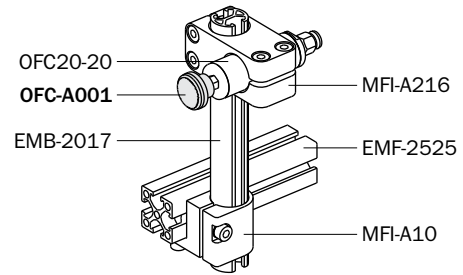
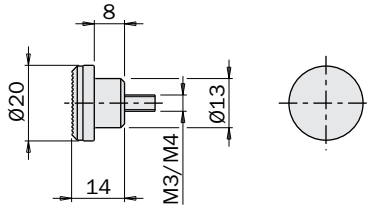
SN...		
SN4N225-G	PNP	2.5m cable
SN4M225-G	NPN	
SN3N203-G	PNP	Snap M8 plug connector
SN3M203-G	NPN	

Optional kits

	OFC-A001	OFC-A002	OFC-A003	OFC-A004	OFC-A005	OFC-A006	OFC-A007	OFC-A008	OFC5
OFC14-10	☑	☑	☑	☐	☑	☑	☐	☑	☐
OFC20-20	☑	☑	☑	☑	☑	☐	☑	☐	☑
OFC30-30	☑	☑	☑	☑	☑	☐	☑	☐	☑
Weight	15 g	25 g	15 g	25 g	35 g	19 g	11 g	50 g	40 g

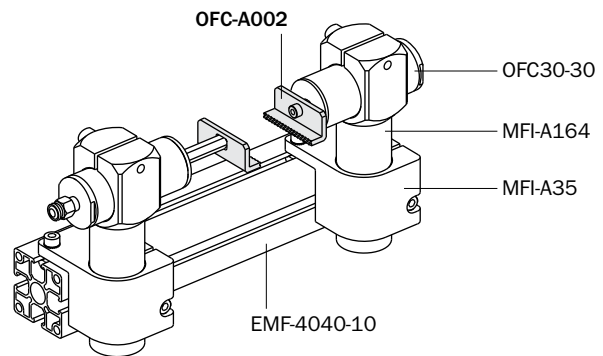
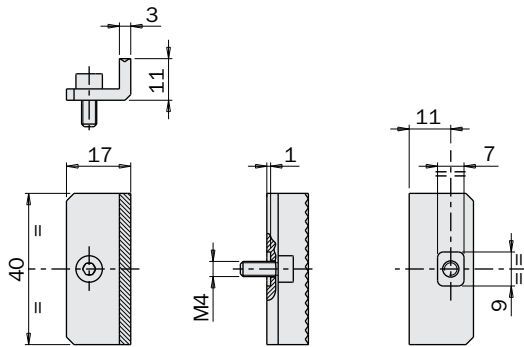
OFC-A001

Button with HNBR rubber pad



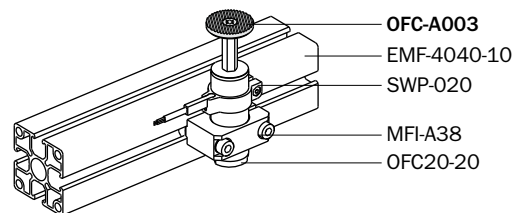
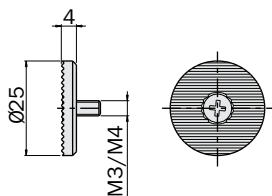
OFC-A002

Steel claw



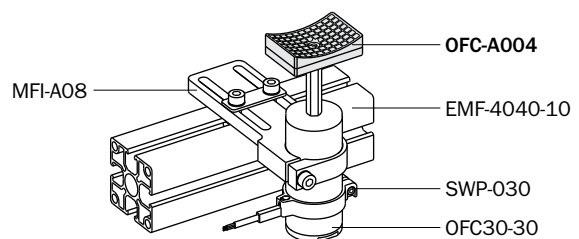
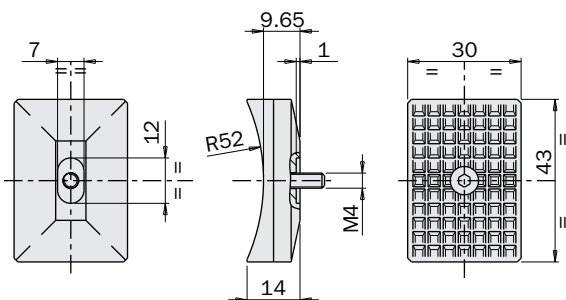
OFC-A003

Steel button



OFC-A004

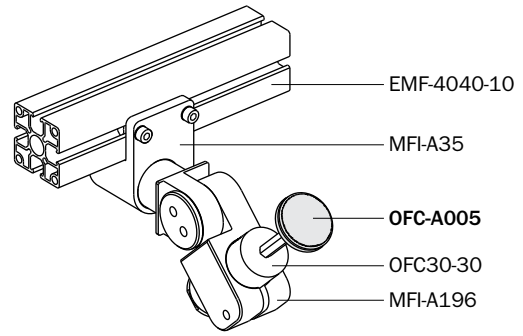
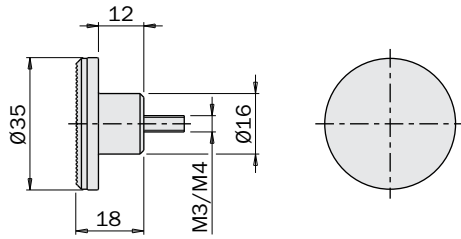
Concave pusher with TPU rubber pad



Optional kits

OFC-A005

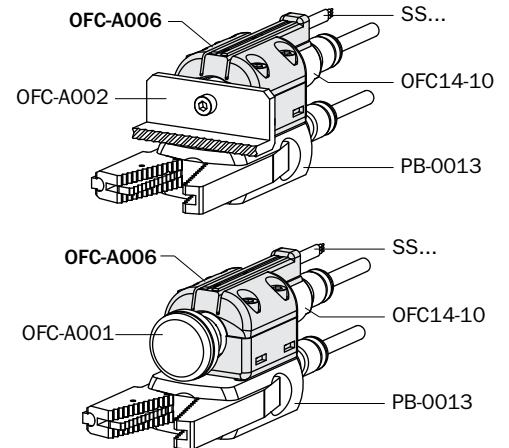
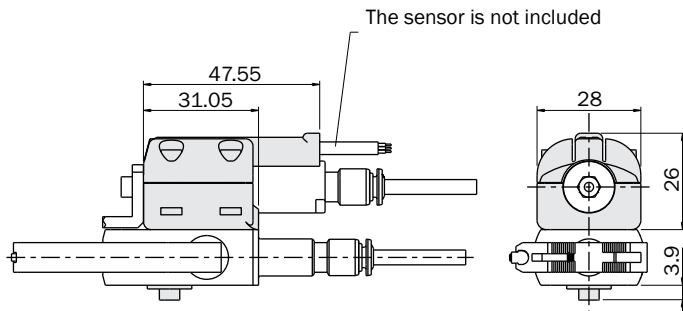
Button with HNBR rubber pad



OFC-A006

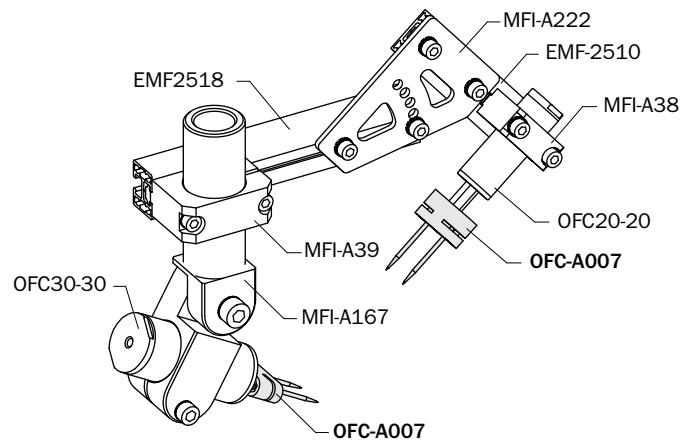
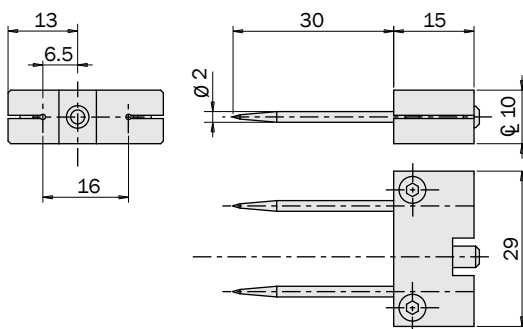
Bracket for mounting cylinder OFC14-10 on PB grippers

- Useful to extract the sprue when it is stuck on the gripper fingers.
- Compact layout of hoses and cables.
- Optional SS magnetic sensor.
- Material PA12GB.



OFC-A007

Needle holder

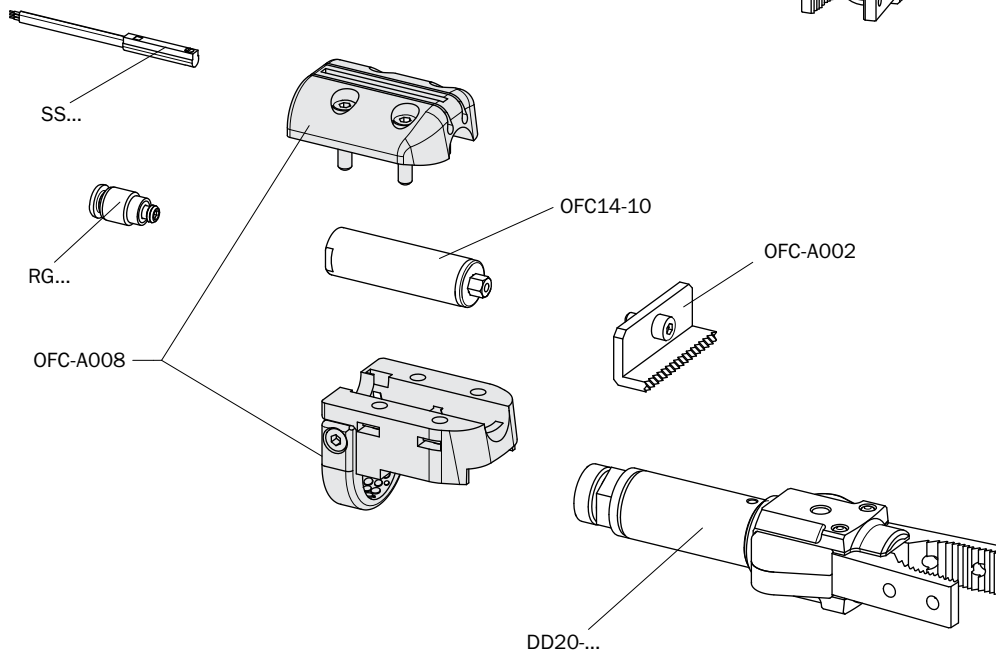
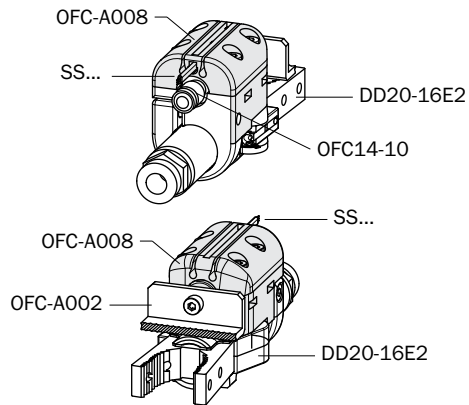
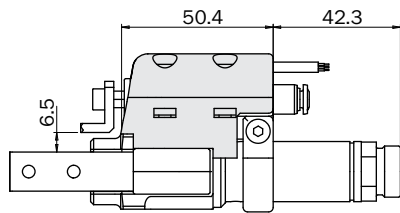


Optional kits

OFC-A008

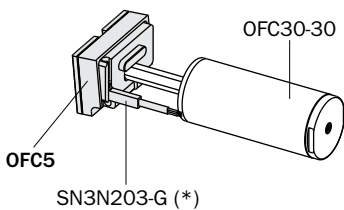
Bracket for mounting cylinder OFC14-10 on DD grippers

- Useful to extract the sprue when it is stuck on the gripper fingers.
- Compact layout of hoses and cables.
- Optional SS magnetic sensor.
- Material PA12GB.



OFC5

Switch pusher with HNBR rubber pad and sensor



The sensor SN3N203-G is included

