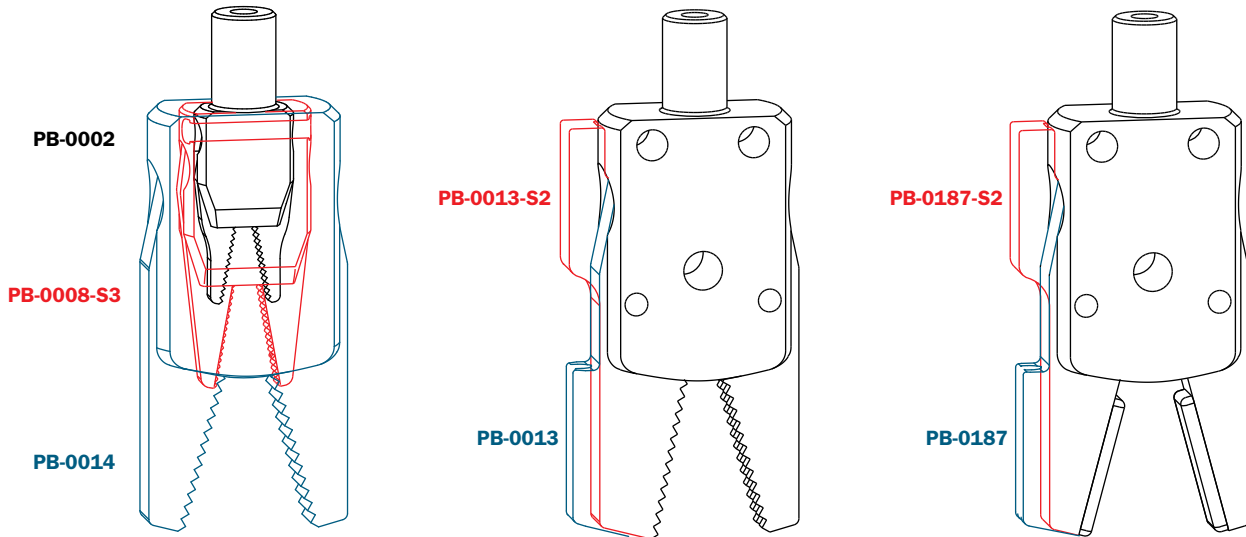


## 2-jaw non-selfcentering angular pneumatic sprue gripper series PB

- FDA-H1 food-grade grease.
- Three available sizes with piston bore 6mm, 8mm, 12mm.
- Sensor on the tip of the jaw, or on the tail.
- Jaws with teeth (for sprue gripping), or with pads (for soft contact).
- Jaws in aluminium or steel.



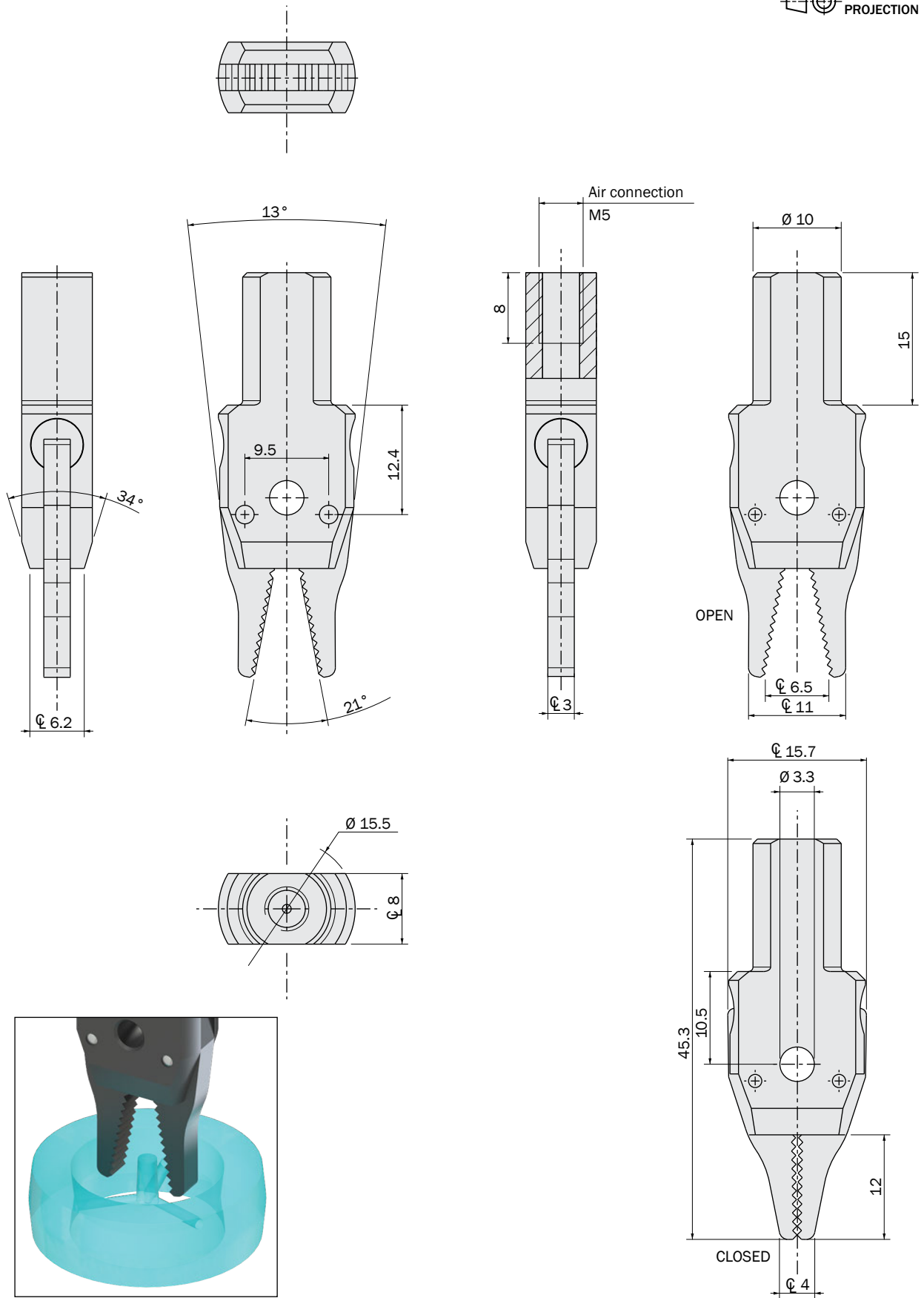
	PB-0002	NEW PB-0007-S3	NEW PB-0008-S3	PB-0013	NEW PB-0013-S2	PB-0014	PB-0015	PB-0017	PB-0140	PB-0150	PB-0160	PB-0181	PB-0182	PB-0180	NEW PB-0180-SV	NEW PB-0180-S2	PB-0187	NEW PB-0187-S2	NEW PB-0187-SV
Medium	Compressed air in compliance with ISO 8573-1:2010 [7:4:4]																		
Pressure range	4 ÷ 8 bar																		
Temperature range	5 ÷ 60 °C.																		
Weight	7 g	17 g	18 g	55 g	64 g	50 g	50 g	45 g	75 g	60 g	74 g	70 g	58 g	62 g					
Stroke	2x10°			2x15°			2x16°		2x15°										
Cycle air consumption	0.3 cm³			1.2 cm³			1.5 cm³		1.2 cm³										
Closing gripping torque at 6 bar each jaw	10 Ncm	24 Ncm		80 Ncm			60 Ncm		80 Ncm										
Opening gripping torque (at 6 bar) each jaw	1 Ncm	2 Ncm		5 Ncm			5 Ncm (25 Ncm)		5 Ncm										
Maximum working frequency	3 Hz																		
Closing time without load	0.01 s																		

**PB-0002**

- Piston bore: 6mm.
- 8mm thickness.
- Single-acting with opening spring.

**Dimensions (mm)**

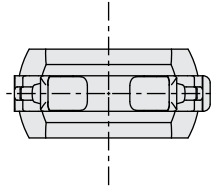
FIRST ANGLE PROJECTION



**PB-0007-S3**

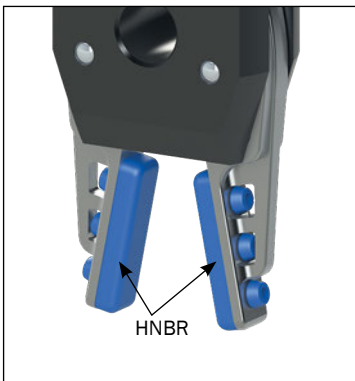
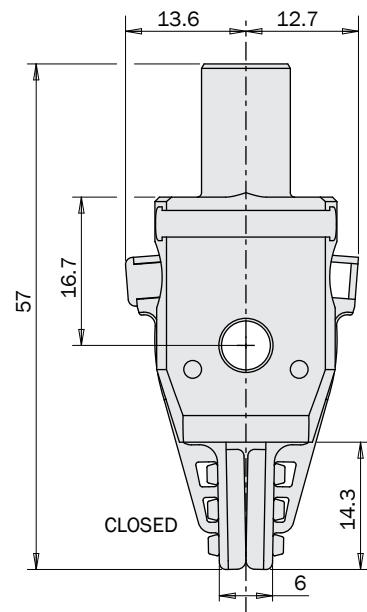
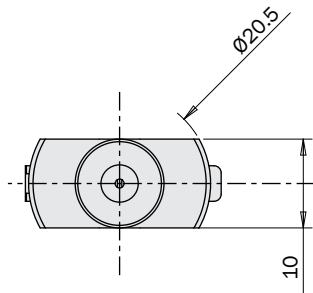
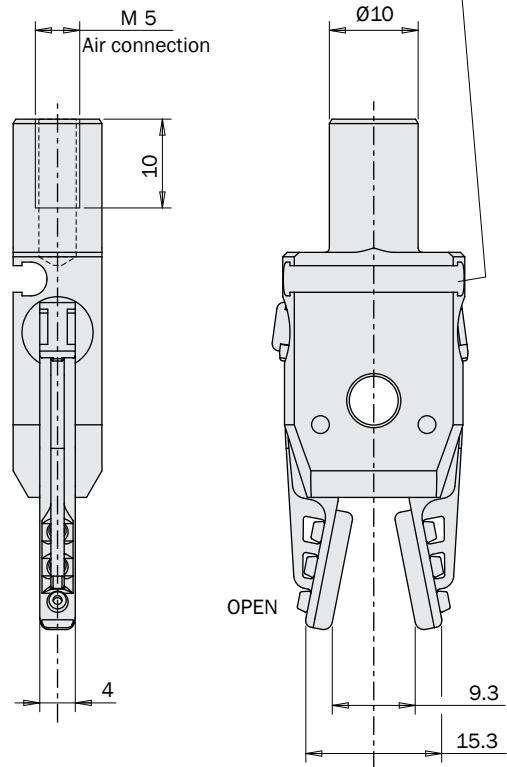
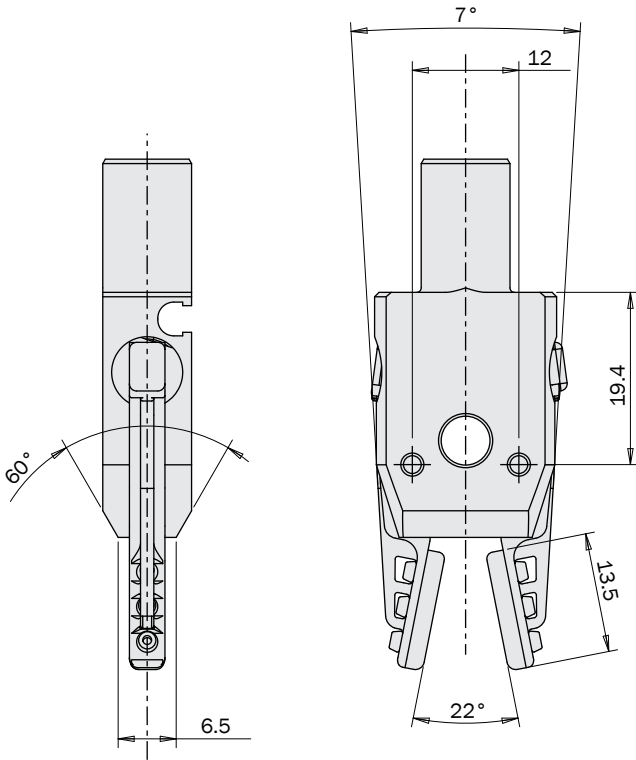
- Piston bore: 8mm.
- Single-acting with opening spring.
- Rubber (HNBR) pads for a soft contact.
- Ready for PRO-SSR programmable magnetic sensor.
- Minimum detectable thickness: 2mm.

**Dimensions (mm)**



**The optional sensor are:**

PRO-SSR3M215-G	NPN	M8 snap plug connector
PRO-SSR3N215-G	PNP	
PRO-SSR4M225-G	NPN	2.5m cable
PRO-SSR4N225-G	PNP	

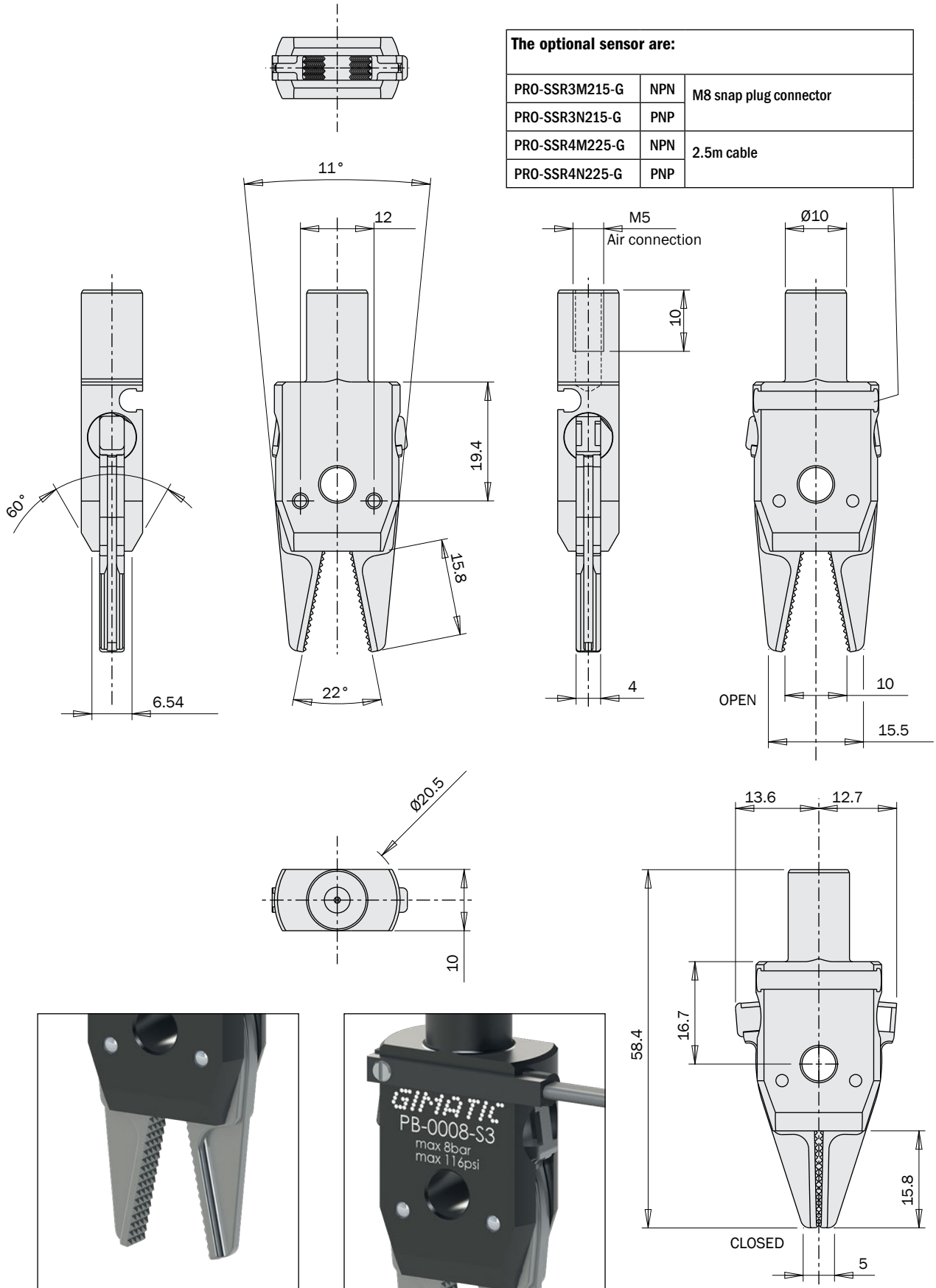


**PB-0008-S3**

- Piston bore: 8mm.
- Single-acting with opening spring.
- Ready for PRO-SSR programmable magnetic sensor.
- Minimum detectable thickness: 2mm.

FIRST ANGLE PROJECTION

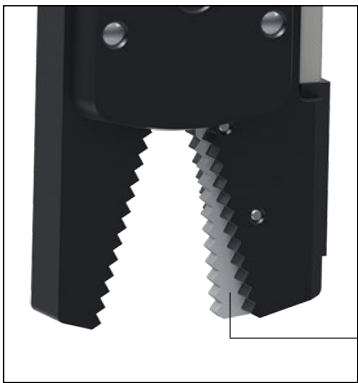
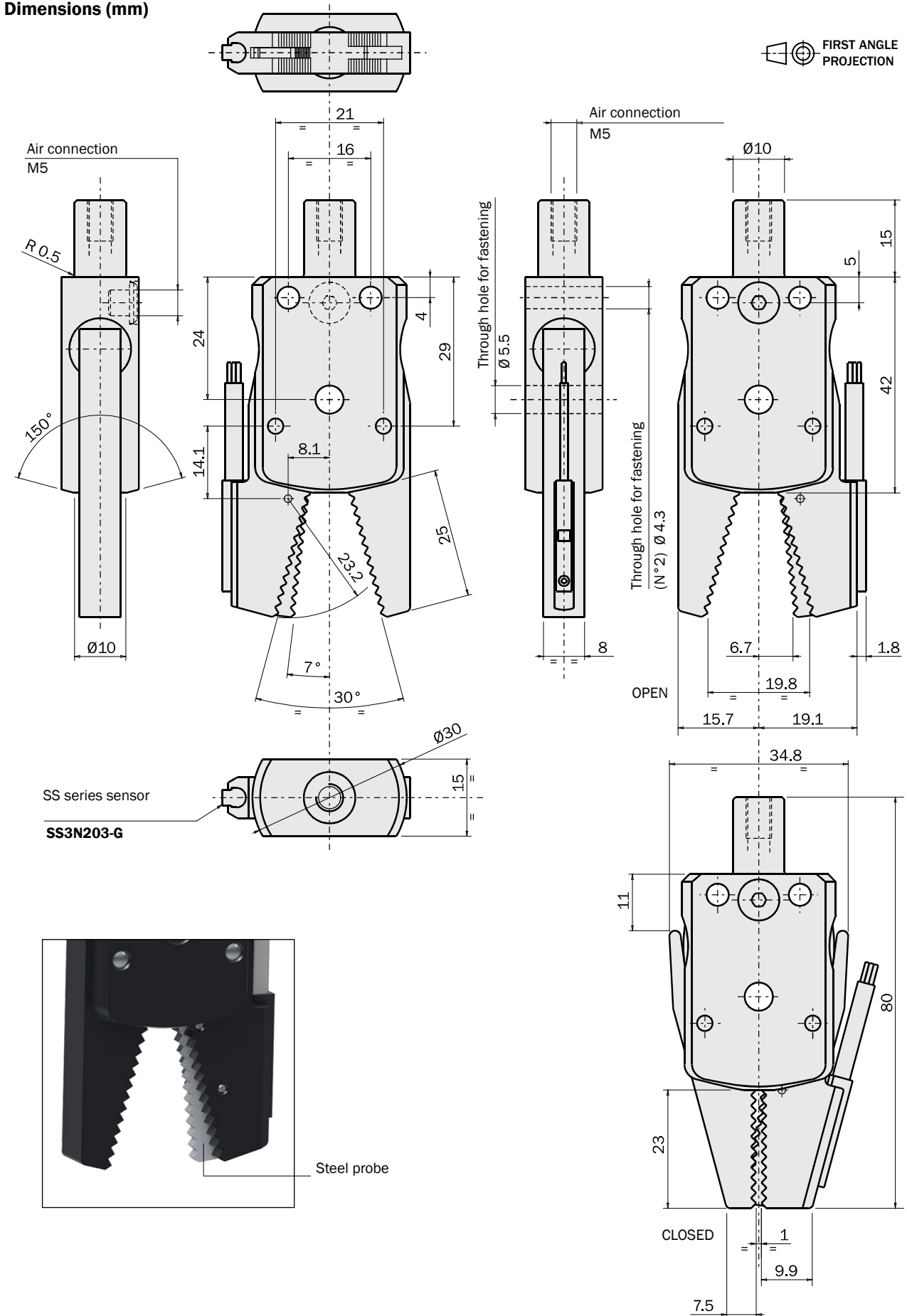
**Dimensions (mm)**



**PB-0013**

- Piston bore: 12mm.
- Single-acting with opening spring.
- Sensor SS3N203-G included and fitted to the tip of the jaw.

**Dimensions (mm)**



Rotary Units  
Quick Changer  
Profiles and Brackets  
Grippers  
Linear Actuators  
Suspensions  
Nippers  
Robot Kit  
Options  
Sensors

**PB-0013S2**

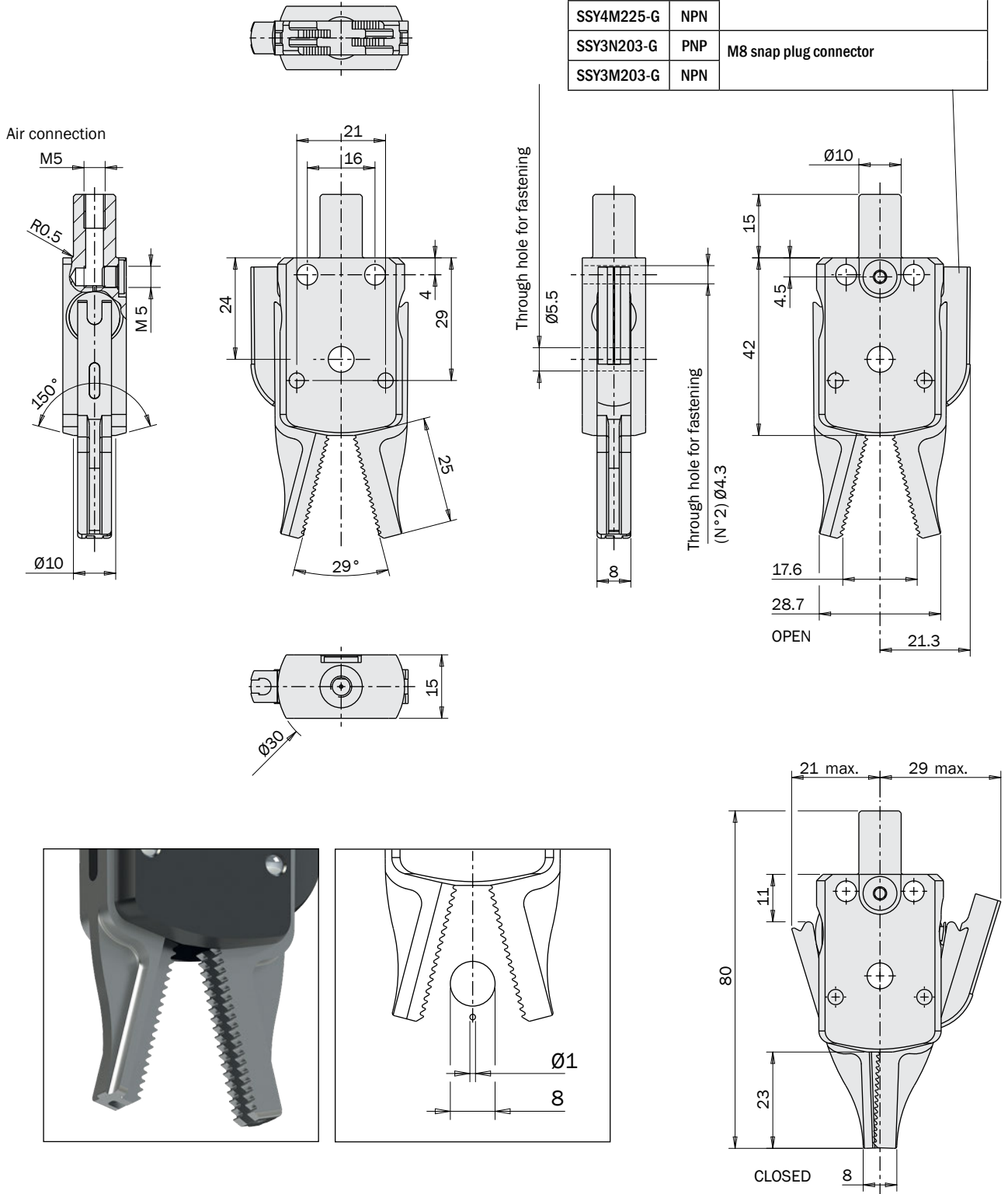
- Piston bore: 12mm.
- Single-acting with opening spring.
- Optional magnetic sensor SSY with reduced encumbrance in the grip area.

**Dimensions (mm)**



**The optional sensor are:**

SSY4N225-G	PNP	2.5m cable
SSY4M225-G	NPN	
SSY3N203-G	PNP	M8 snap plug connector
SSY3M203-G	NPN	



Rotary Units

Quick Changer

Profiles and Brackets

Grippers

Linear Actuators

Suspensions

Nippers

Robot Kit

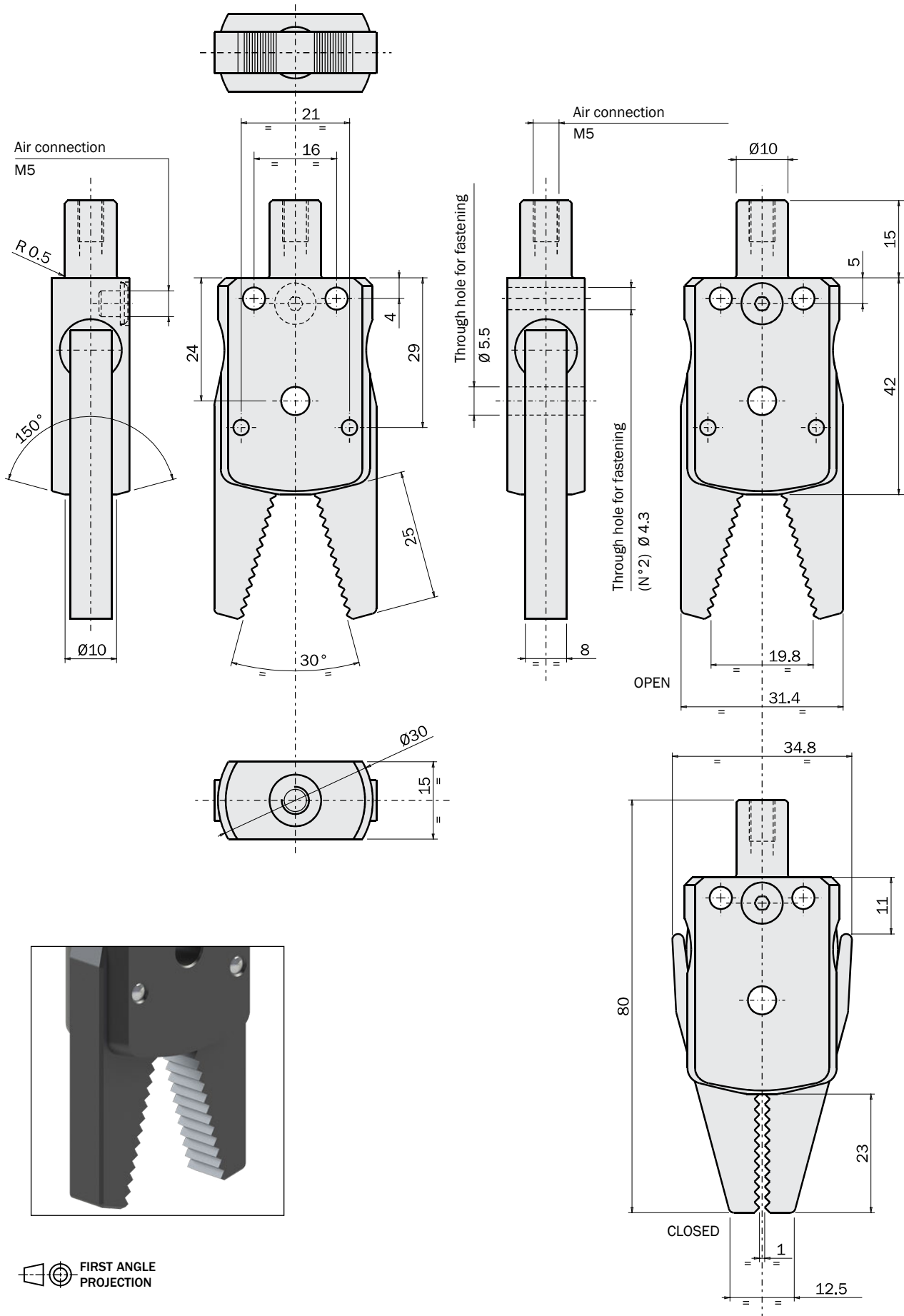
Options

Sensors

**PB-0014**

- Piston bore: 12mm.
- Single-acting with opening spring.

**Dimensions (mm)**



FIRST ANGLE PROJECTION

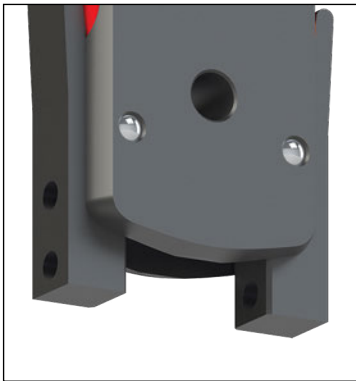
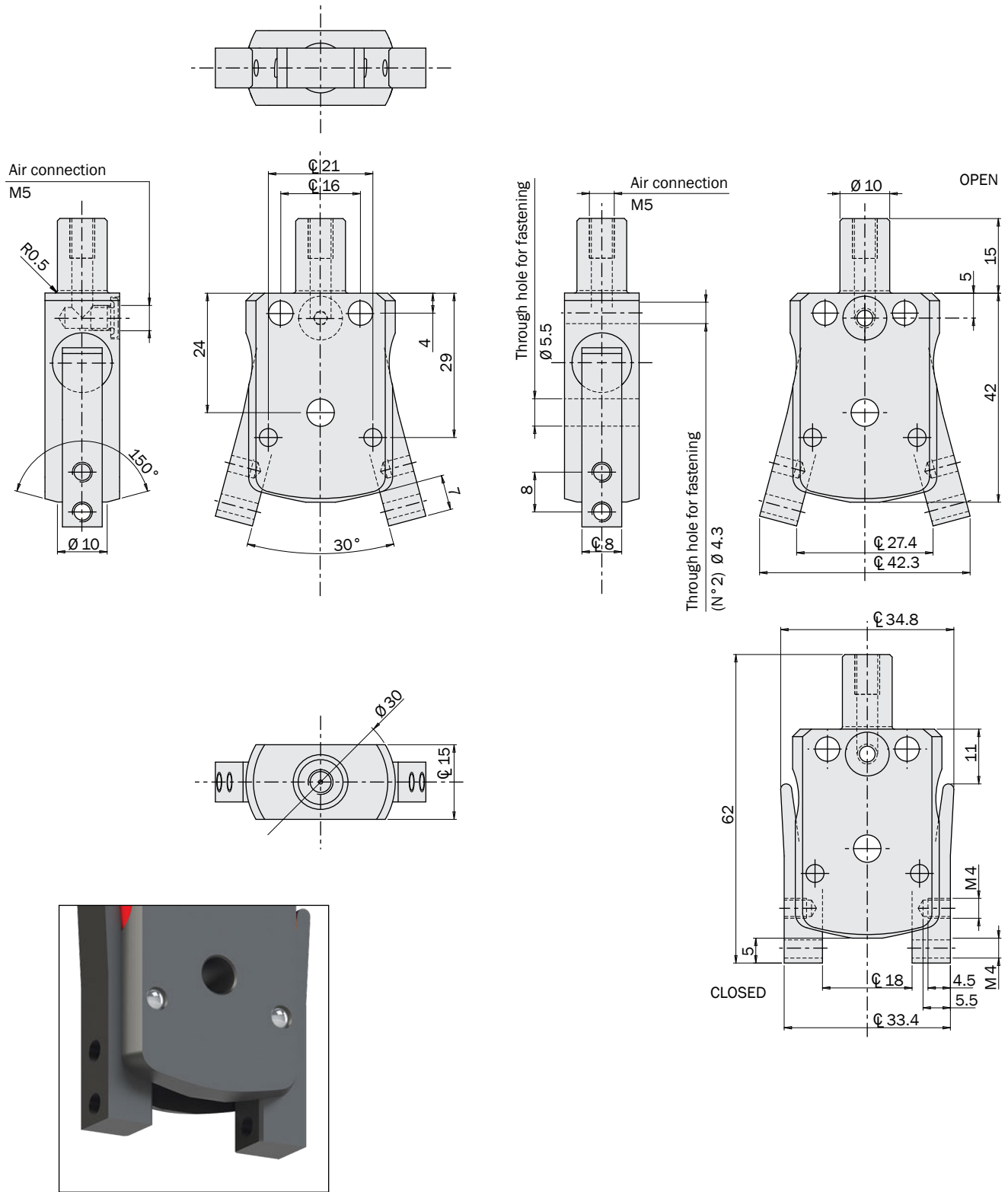




**PB-0017**

- Piston bore: 12mm.
- Single-acting with opening spring.
- Custom jaws.

**Dimensions (mm)**





**PB-0150**

- Piston bore: 12mm.
- Single-acting with opening spring.
- Swiveling jaws for conical sprues.

**Dimensions (mm)**

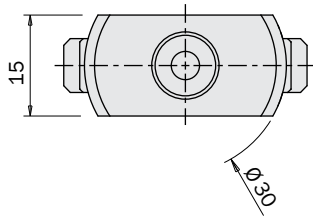
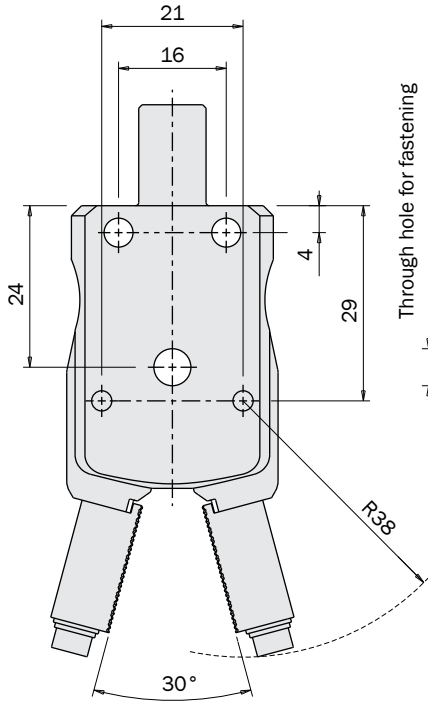
Air connection

M5

R5

150°

Ø 10



Air connection

M5

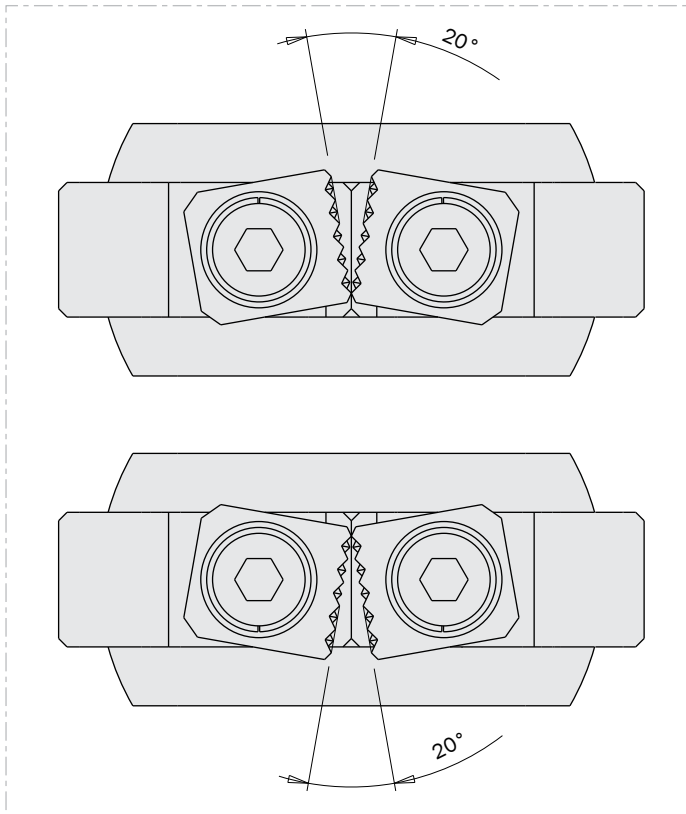
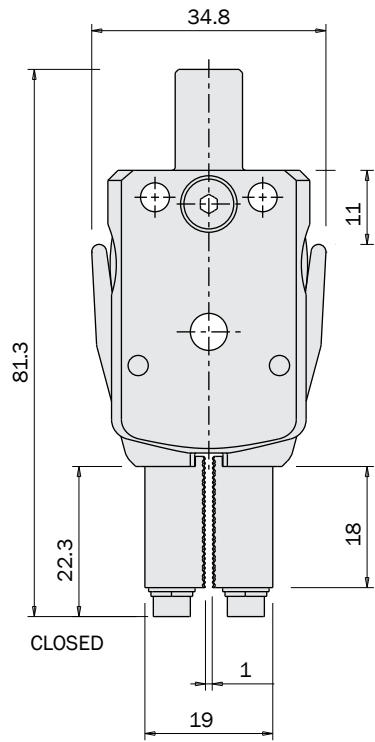
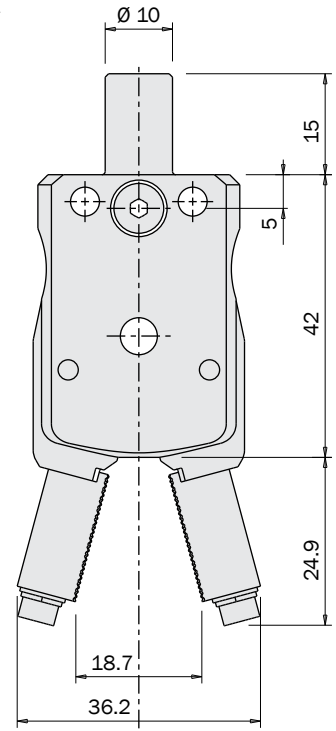
Through hole for fastening

Ø 5.5

8

Through hole for fastening  
(N°2) Ø 4.3

OPEN

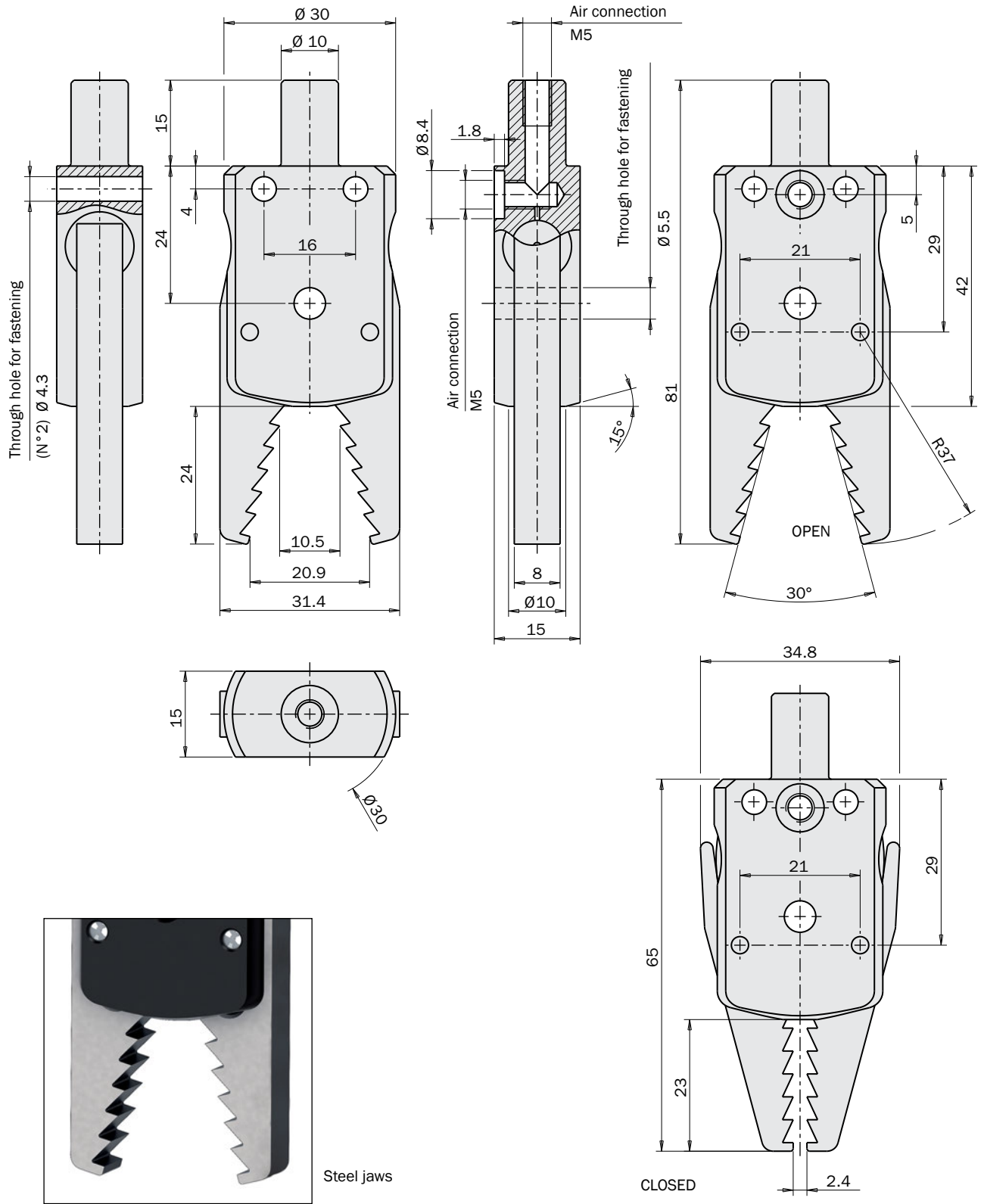


FIRST ANGLE PROJECTION

**PB-0160**

- Piston bore: 12mm.
- Single-acting with opening spring.
- Steel jaws.

**Dimensions (mm)**

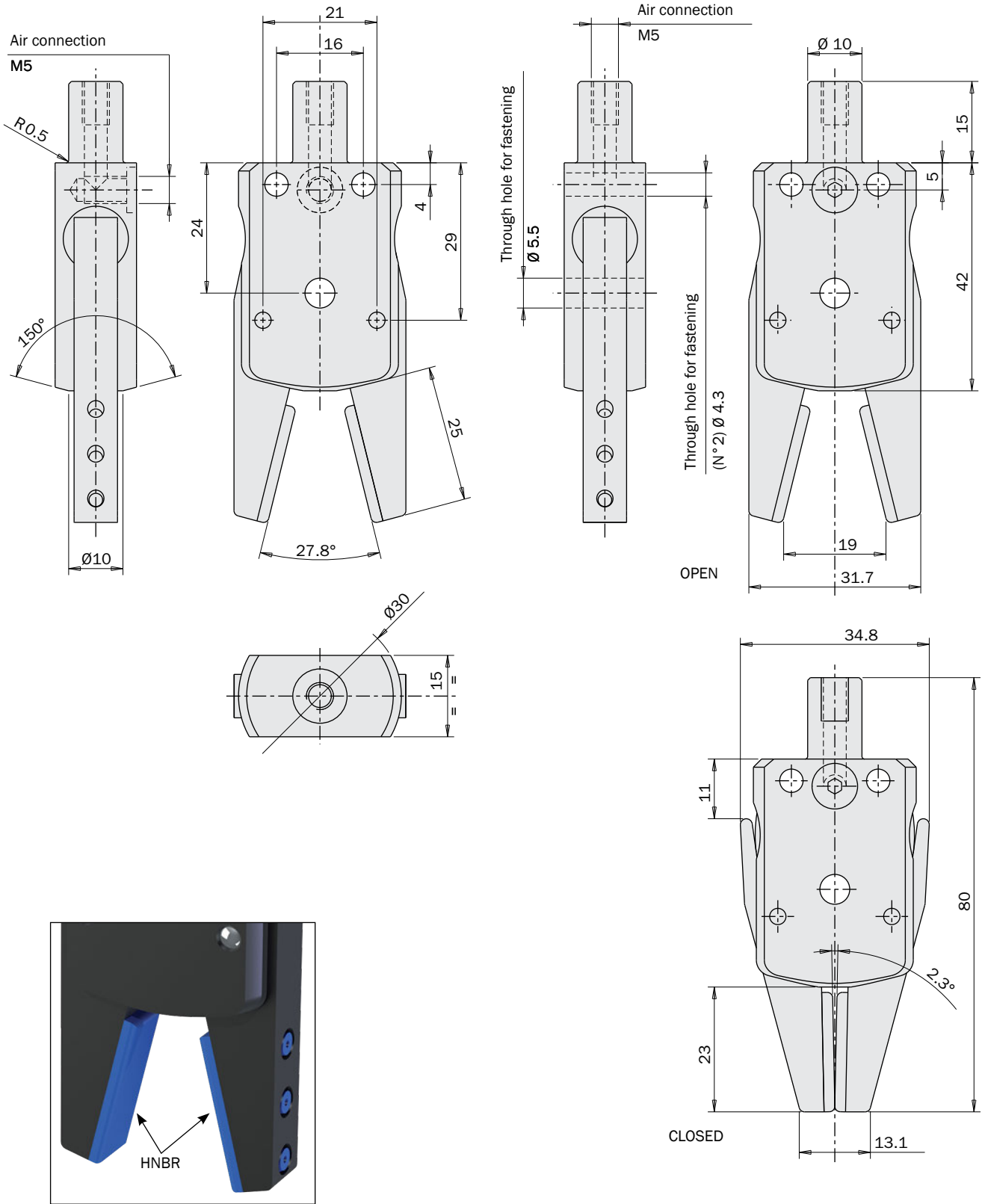


FIRST ANGLE PROJECTION

**PB-0170**

- Piston bore: 12mm.
- Single-acting with opening spring.
- Rubber (HNBR) pads for a soft contact.

**Dimensions (mm)**



FIRST ANGLE PROJECTION

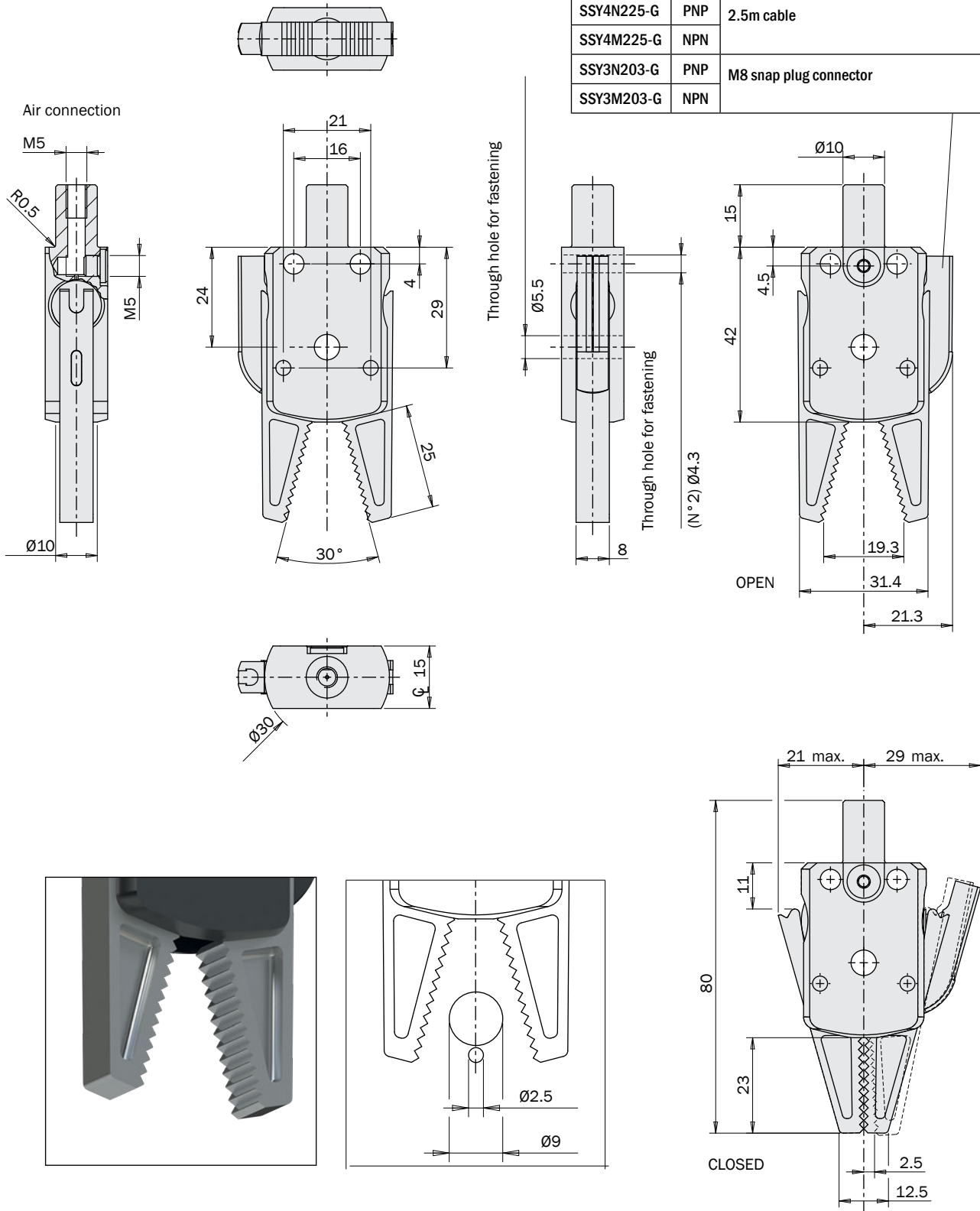
Rotary Units  
Quick Changer  
Profiles and Brackets  
Grippers  
Linear Actuators  
Suspensions  
Nippers  
Robot Kit  
Options  
Sensors



**PB-0180-S2**

- Piston bore: 12mm.
- Single-acting with opening spring.
- Optional magnetic sensor SSY with reduced encumbrance in the grip area.

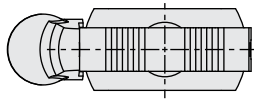
**Dimensions (mm)**



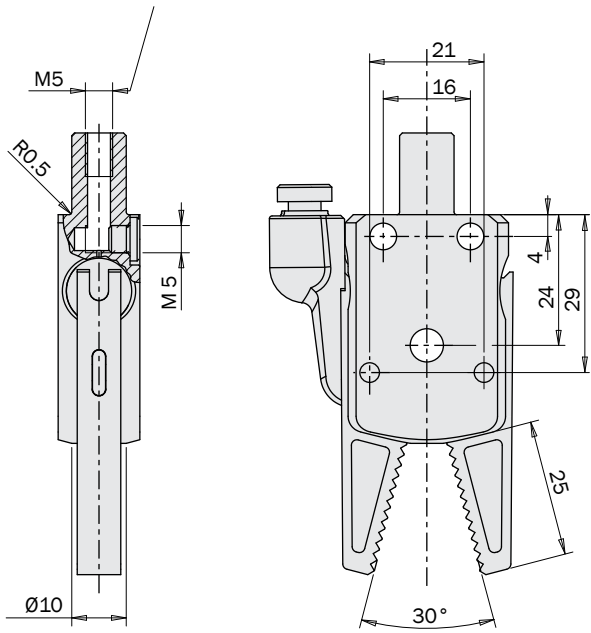
FIRST ANGLE PROJECTION

**PB-0180-SV**

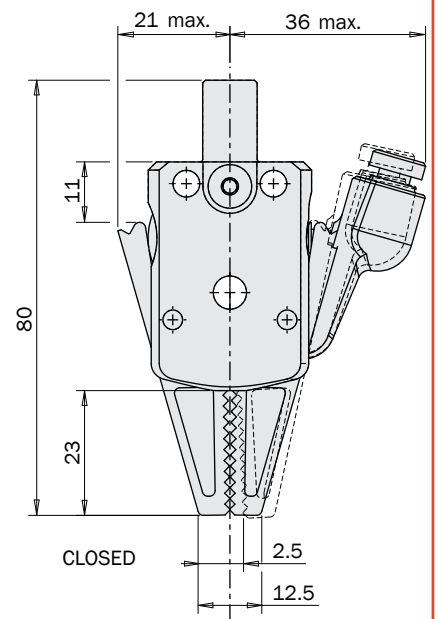
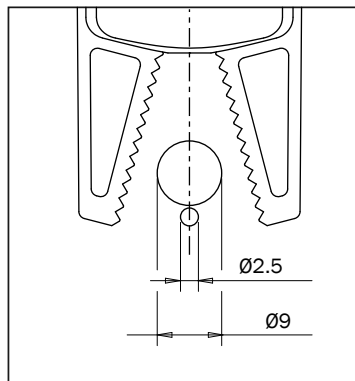
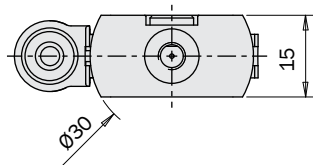
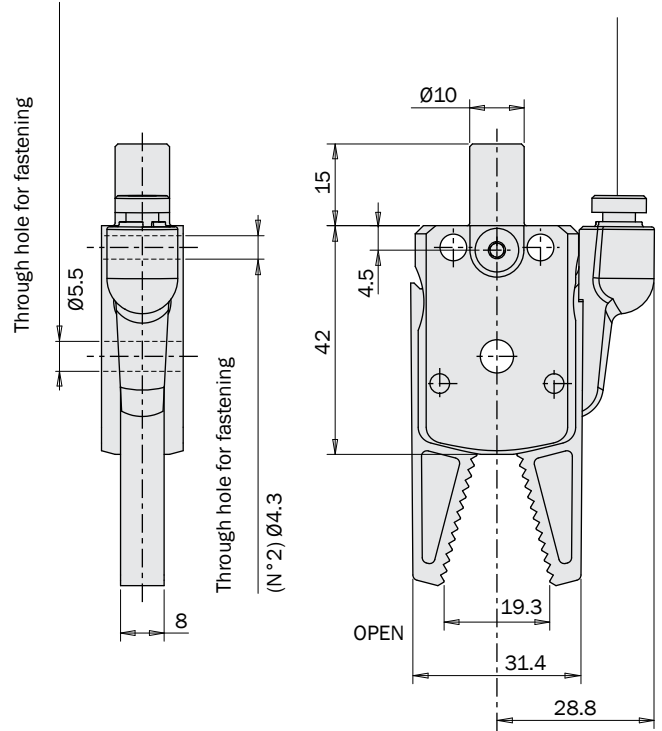
- Piston bore: 12mm.
- Single-acting with opening spring.
- Grip detection by vacuum sensor



Compressed air connection (gripper closing)



Vacuum connection (remote vacuum switch)



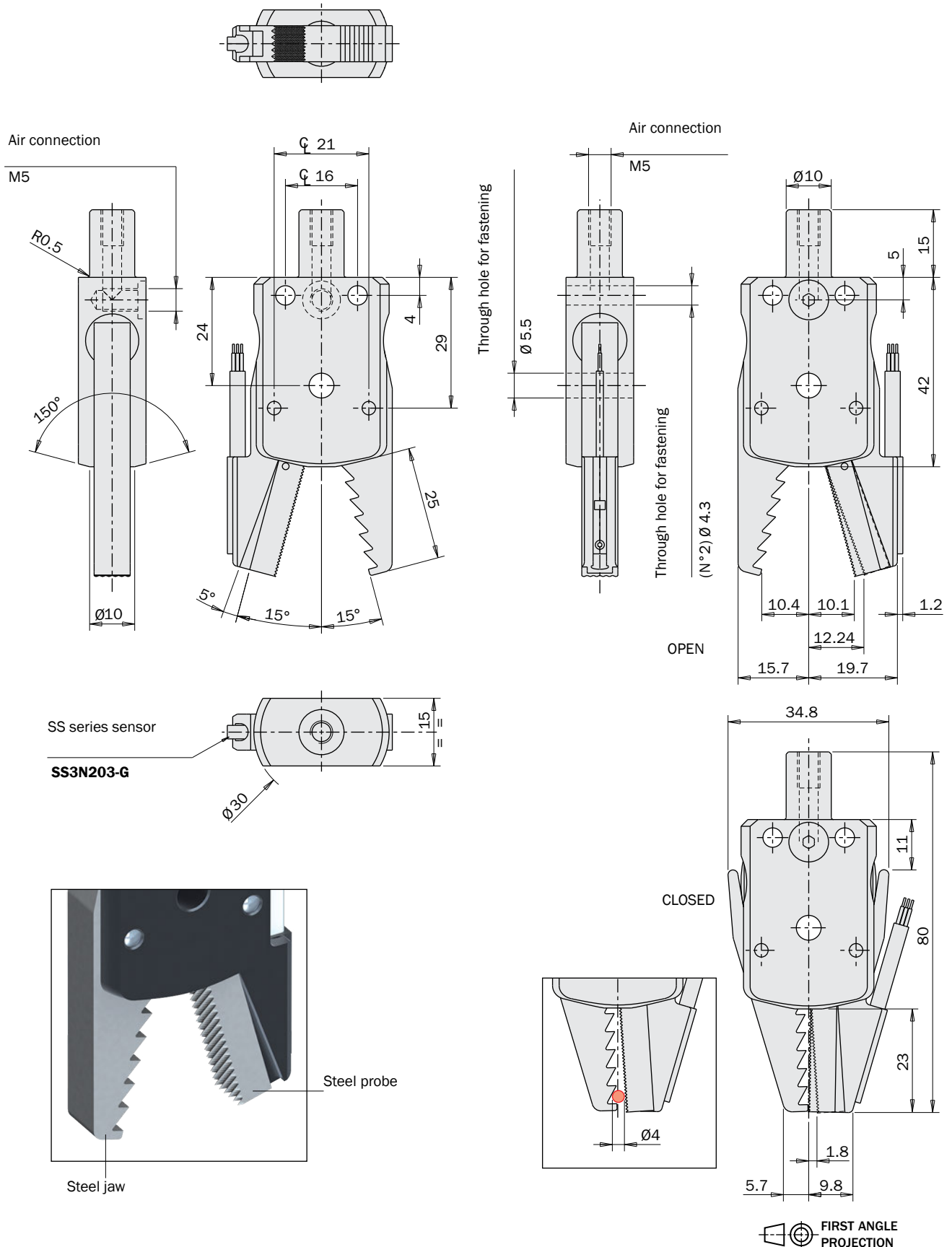




**PB-0182**

- Piston bore: 12mm.
- Single-acting with opening spring.
- Sensor SS3N203-G included and fitted to the tip of the jaw.
- Steel jaw and probe.

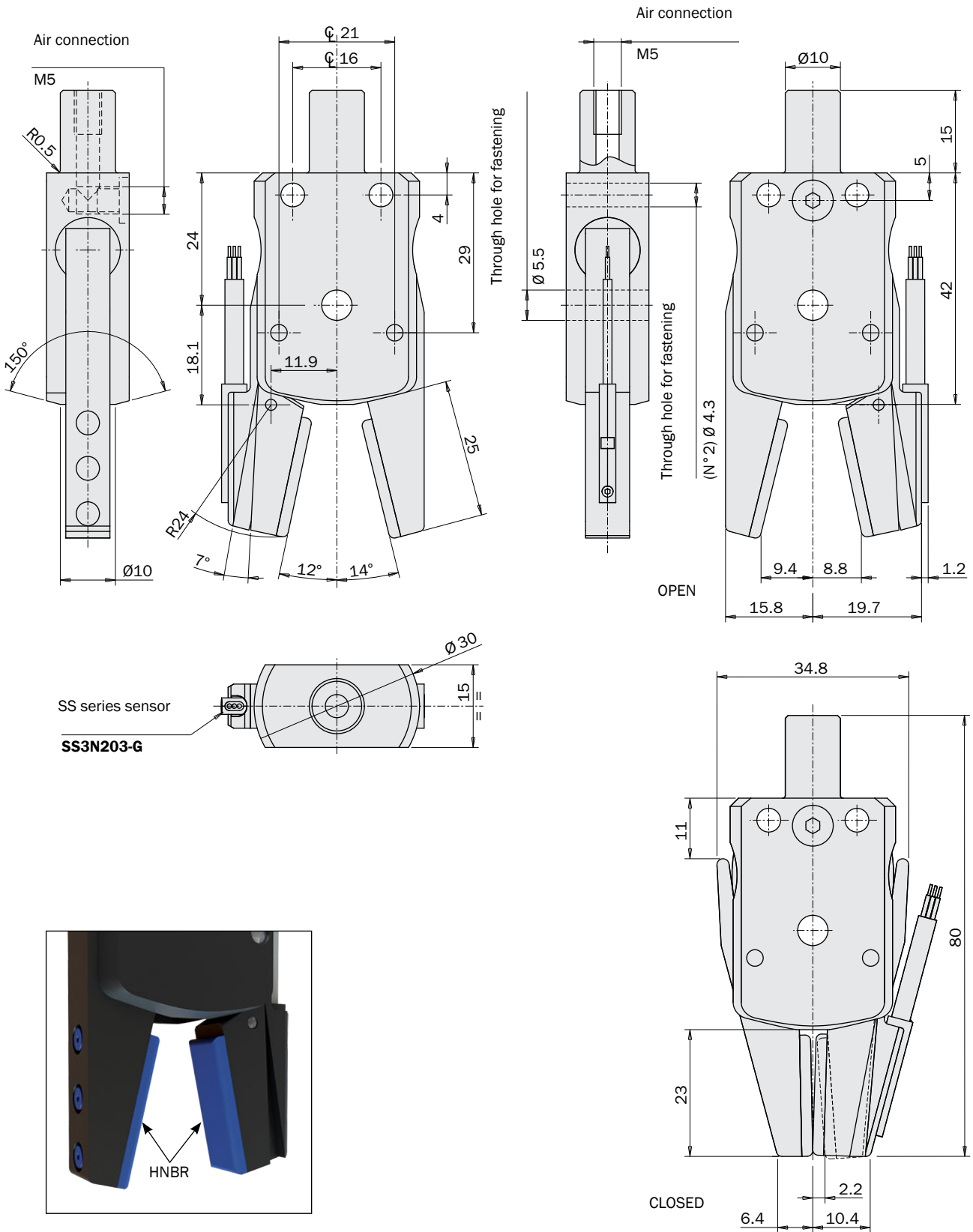
**Dimensions (mm)**



**PB-0187**

- Piston bore: 12mm.
- Single-acting with opening spring.
- Rubber (HNBR) pads for a soft contact.
- Sensor SS3N203-G included and fitted to the tip of the jaw.

**Dimensions (mm)**



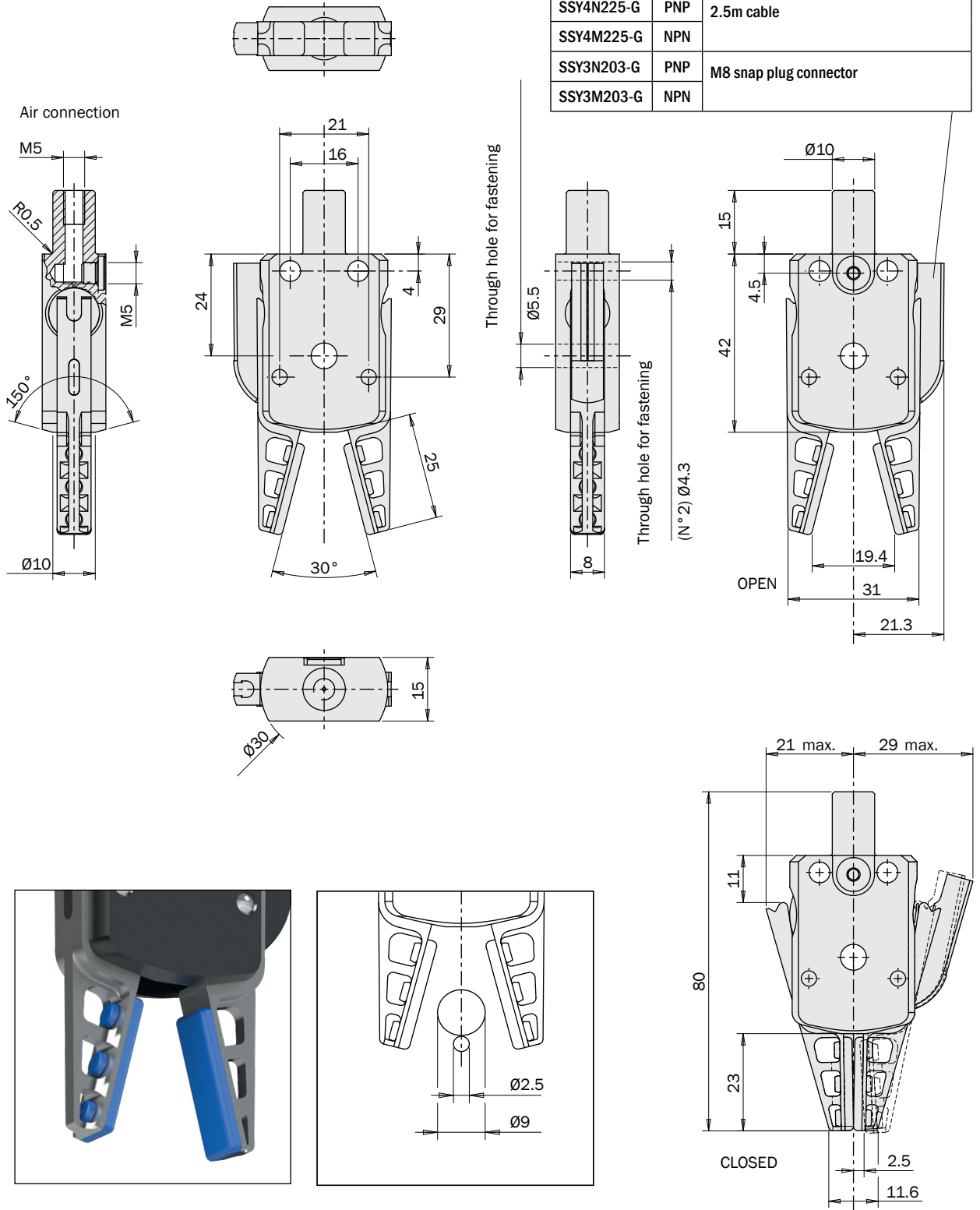
FIRST ANGLE PROJECTION

Rotary Units  
Quick Changer  
Profiles and Brackets  
Grippers  
Linear Actuators  
Suspensions  
Nippers  
Robot Kit  
Options  
Sensors

**PB-0187-S2**

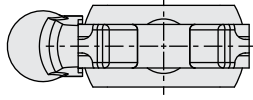
- Piston bore: 12mm.
- Single-acting with opening spring.
- Rubber (HNBR) pads for a soft contact.
- Optional magnetic sensor SSY with reduced encumbrance in the grip area.

**Dimensions (mm)**



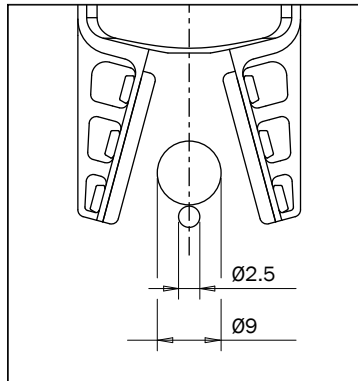
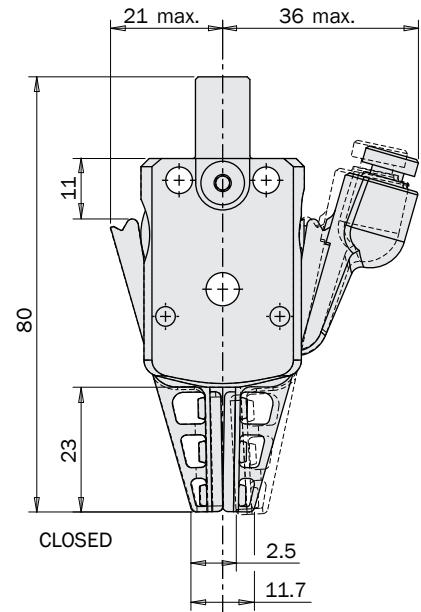
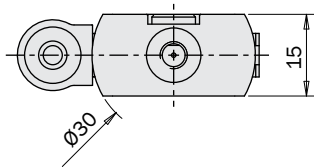
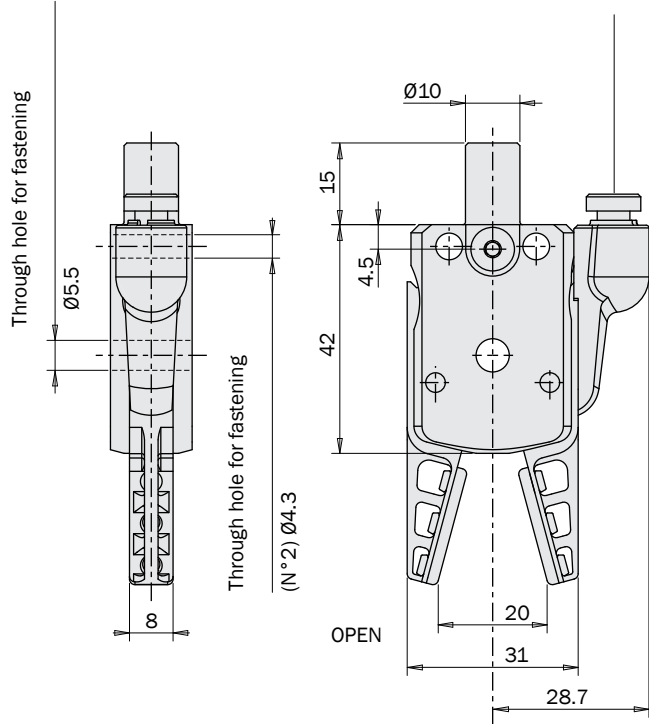
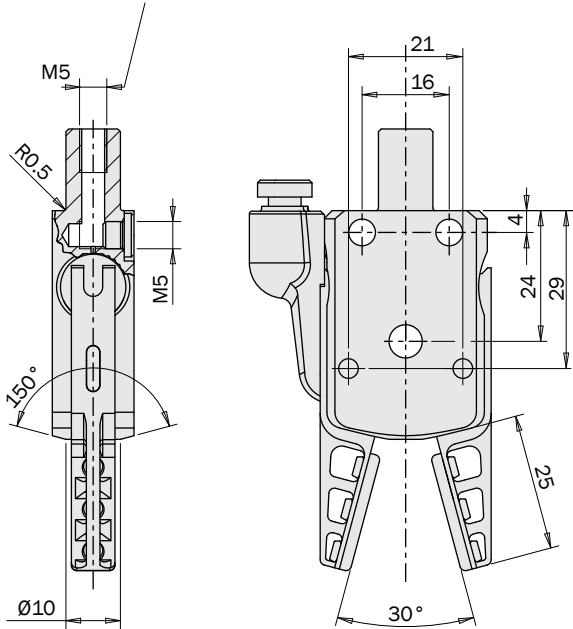
**PB-0187-SV**

- Piston bore: 12mm.
- Single-acting with opening spring.
- Grip detection by vacuum sensor



Compressed air connection (gripper closing)

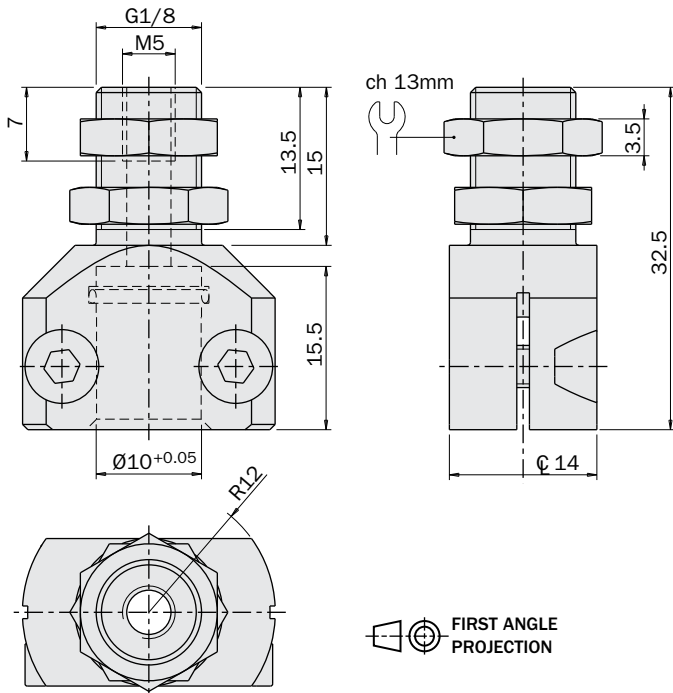
Vacuum connection (remote vacuum switch)



Rotary Units, Quick Changer, Profiles and Brackets, Grippers, Linear Actuators, Suspensions, Nippers, Robot Kit, Options, Sensors

**Adapter fitting for PB grippers**

(Not for PB-0002)



	<b>AF10G18M</b>
<b>Weight</b>	<b>18 g</b>



**Application example**

