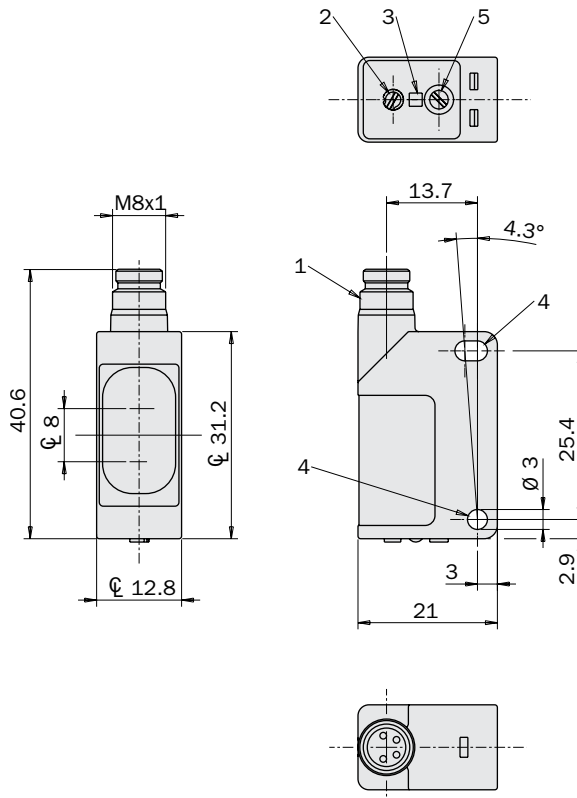


## Optical cubic sensors

- Miniaturized photo-electric cubic sensors with background suppression.
- High-intensity red emission.
- Mechanical sensitivity adjustment via a trimmer.
- PNP or NPN logic output.
- NO/NC selectable output.
- Output with M8 4-pin connector.

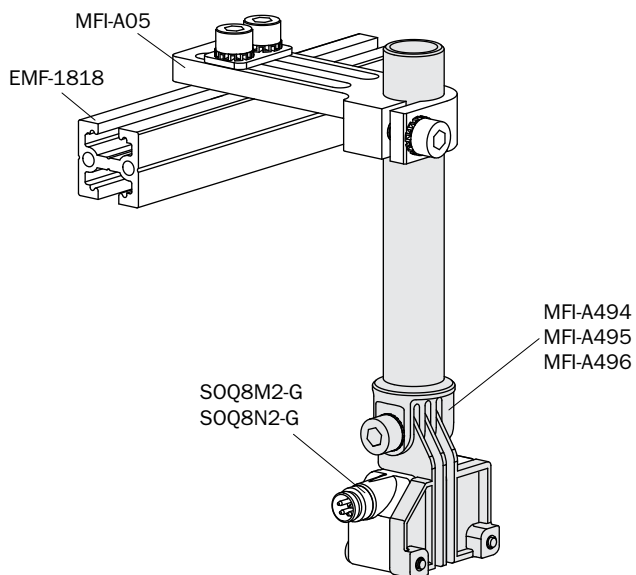


- 1 M8x1 connector output
- 2 NO/NC trimmer
- 3 LED
- 4 Fixing holes
- 5 Sensitivity-adjusting trimmer

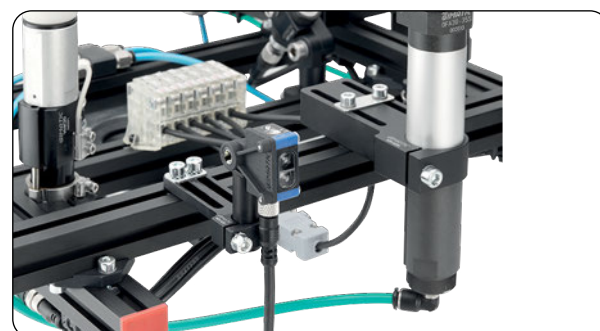
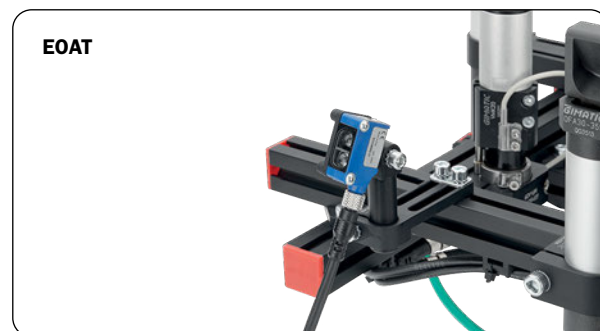


Dimensions (mm)

## Fixing examples



## Application examples



	SOQ8N2-G	SOQ8M2-G
Minimum sensing distance	5 mm	
Nominal sensing distance	30...200 mm(1)	
Sensitivity adjustment	Yes (4 rounds)	
Emission	Red (630 nm)	
Repeatability	5%	
Dark or Light selection	Yes	
EU Power supply voltage	10...30 Vdc	
Ripple	≤ 10 %	
Load current	≤ 100 mA	
No-load input current	≤ 30 mA	
Maximum output switching current	≤ 100 mA	
Output type	PNP NO o NC	NPN NO o NC
Switching frequency	1 kHz	
Response time	≤ 100 ms	
Supply electrical protection	Polarity reversal, overvoltage pulses	
Output electrical protection	Short-circuiting (auto-reset), overvoltage pulses	
Operating temperature range	-25°...+70° C (no condensation)	
Storage temperature	-30°...+80° C	
Ambient light immunity	10,000 lux sunlight - 3,000 lux high-frequency bulb	
Protection rating	IP67 (EN60529)	
Case material	PA66	
Optics material	PMMA	
Tightening torque	1Nm	
Approx. weight	10g	
Wiring diagrams		
Connector	<p>Brown BN (+); Blue BU (-); Black BK (OUT); Not connected N.C.</p>	

Rotary Units

Quick Changer

Profiles and Brackets

Grippers

Linear Actuators

Suspensions

Nippers

Robot Kit

Options

Sensors