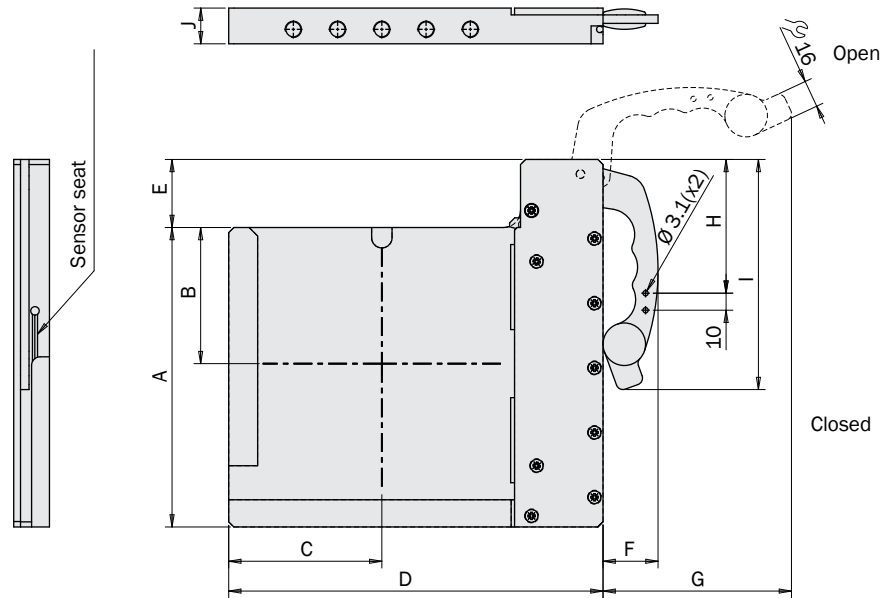
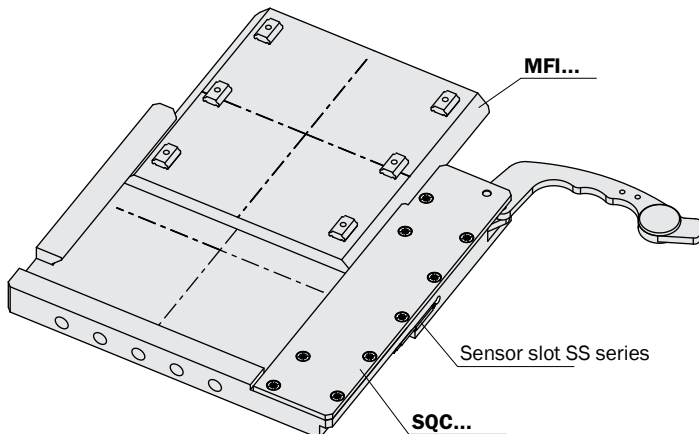


Square quick changer (robot side)

- One handle only.
- Intrinsically safe.
- Closed-state detection system by magnetic sensor (optional).



	SQC100-A	SQC160-A	SQC250-A
A	110	176	270
B	50	80	125
C	57	90	150
D	147	220	325
E	5.5	40	40
F	28	32.3	32.3
G	76.6	110.8	110.8
H	55.5	78.6	78.6
I	100	135.3	135.3
J	19	21	20
Weight	770 g	2050 g	3720 g
MFI..	MFI-A41	MFI-A43	MFI-A363



The optional sensor are:		
SS4N225-G	PNP	2.5m cable
SS4M225-G	NPN	
SS3N203-G	PNP	M8 snap plug connector
SS3M203-G	NPN	