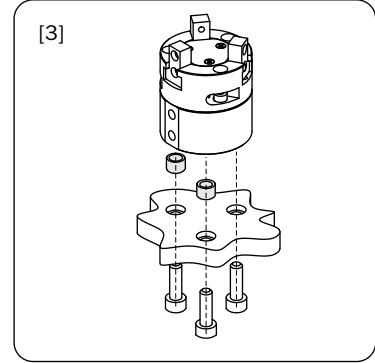
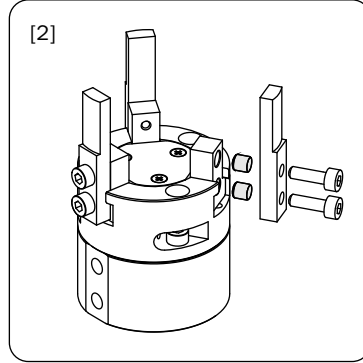
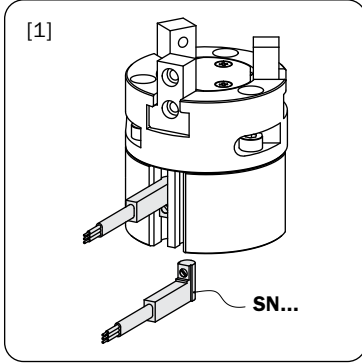


3-jaw self-centring pneumatic gripper - TGP20

- Double-acting drive.
- Also available with spring open (TGP20-NO).
- Optional magnetic sensors [1].
- FDA-H1 food-grade grease.
- Supplied with centring sleeves for jaws [2] and body [3].



Use sensors:

SN4N225-G	PNP	2.5m cable
SN4M225-G	NPN	
SN3N203-G	PNP	Snap M8 plug connector
SN3M203-G	NPN	



TGP20



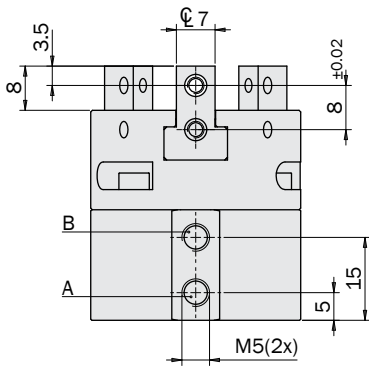
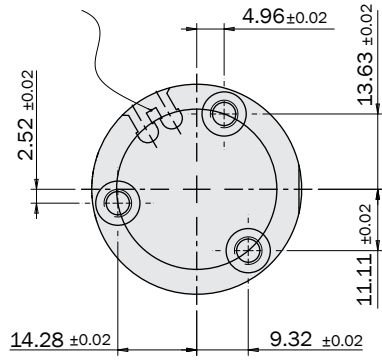
TGP20-NO

	TGP20	TGP20-NO
Medium	Compressed air in compliance with ISO 8573-1:2010 [7:4:4]	
Operating pressure range	2 ÷ 8 bar	4 ÷ 8 bar
Operating temperature range	5° ÷ 100°C	
Opening gripping force at 6 bar on each jaw	55 N	65 N
Closing gripping force at 6 bar on each jaw	46 N	36 N
Opening total gripping force at 6 bar	165 N	195 N
Closing total gripping force at 6 bar	138 N	108 N
Stroke	3x4 mm	
Maximum working frequency	3 Hz	2 Hz
Cycle air consumption	3 cm ³	
Closing time without load	0.02 s	0.03 s
Repetition accuracy	0.02 mm	
Weight	132 g	133 g

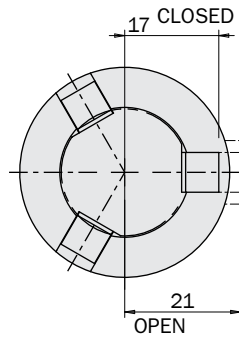
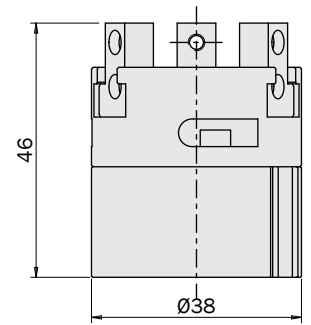
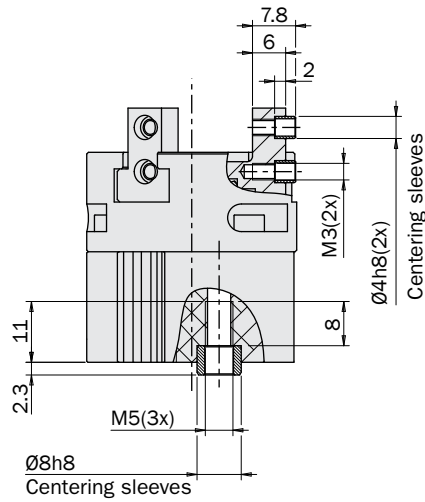
Dimensions (mm)



Sensor slot SN series



Compressed air in A: gripper opening.
Compressed air in B: gripper closing.



Application example

