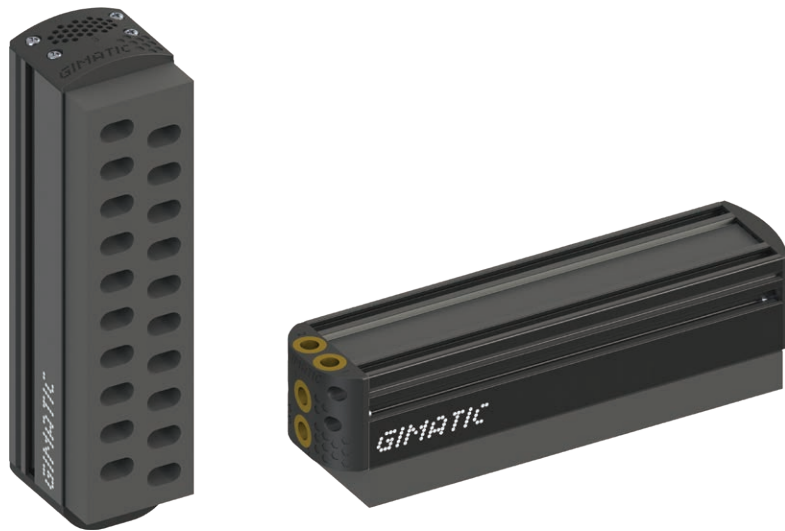


# Vacuum gripping systems with foam / FGS-060 with fine pitch and calibrated holes



## FGS-060-0200-F20-0T-06

- The FGS-060 series of vacuum gripping systems, in the version with foam, is a modular and versatile solution for handling different products with different sizes, shapes and porosity
- Integrated EJ-LARGE-HF-3 multistage cartridges for high suction flow rate and low energy consumption
- The version with calibrated holes is ideal in applications where objects with specific shapes and weights with a sealed surface (glass, sheet metal) need to be handled
- Suitable for working in any orientation (parallel or perpendicular to the gripping surface)



### Technical features

Max feed pressure	0.6 MPa
Temperature range	0 ÷ +50 °C
Weight	750 g
Material	Al, EPDM, NBR, PA12
Noise level	70 dB

### Suction flow rate

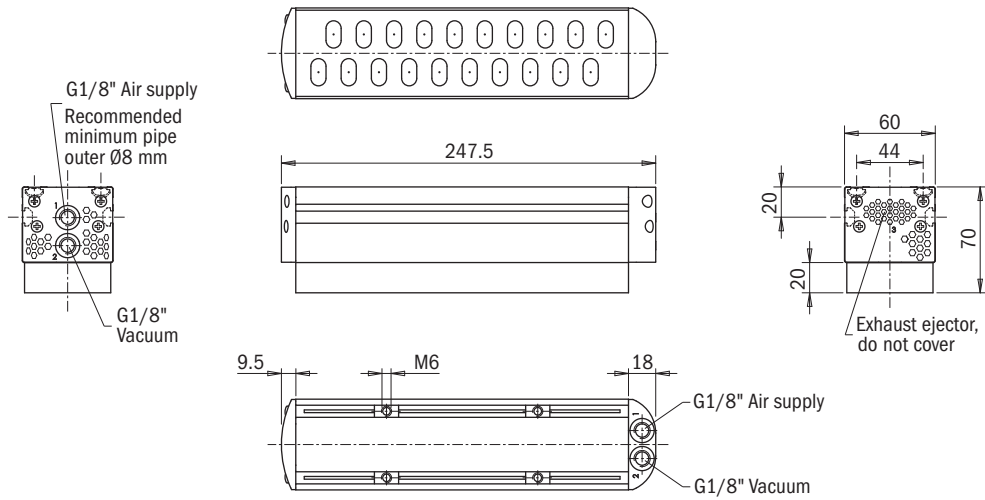
Model	Feed pressure [MPa]	Air consumption [l/s]	Suction flow rate [l/s] at different vacuum levels [kPa]								Max vacuum [kPa]
			0	-10	-20	-30	-40	-50	-60	-70	
FGS-060-0200-F20-0T-06-EJL2XX	0.6	3.4	11.8	7	5	3.4	1.78	1.24	1.02	0.62	-73

### Gripping force

Model	Gripping force [N] at different vacuum levels				
	-30 kPa	-40 kPa	-50 kPa	-60 kPa	-70 kPa
FGS-060-0200-F20	93	127	158	186	215

Theoretical gripping force on flat surface, with fully covered gripping surface, safety factor excluded  
Standard foam thickness: 20 mm

Identification codes		
Alphanumeric code	Description	Order code
FGS-060-0200-F20-OT-06-EJL2XX	Vacuum gripping system with foam, 60x200 mm, fine pitch, with 0.6 mm calibrated holes	360060202



Identification codes		
Alphanumeric code	Spare parts	Order code
FGS-060-0200-F20-OT	Spare EPDM foam, 60x200 mm, thickness 20 mm, fine pitch	360012002

