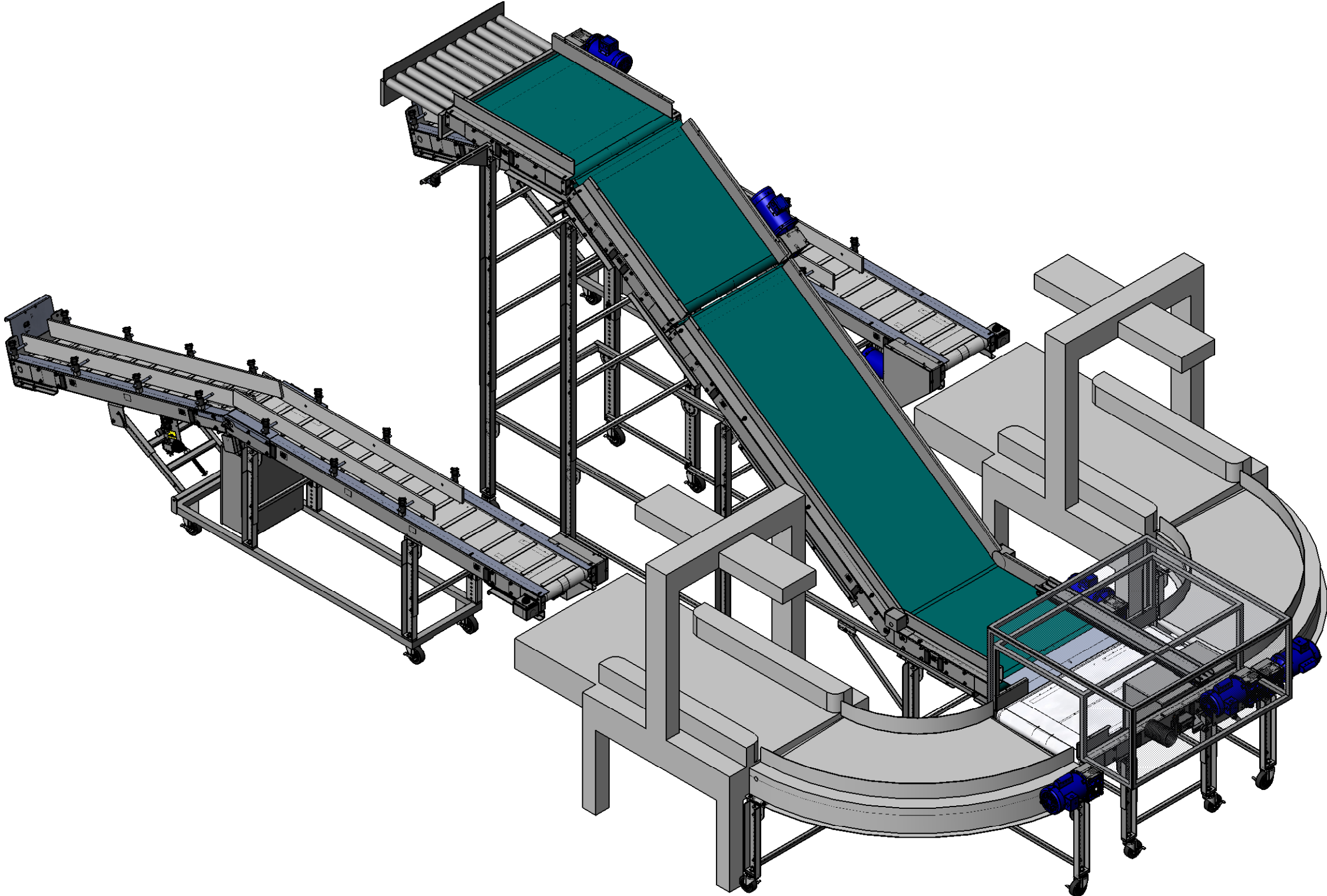


EMI PLASTICS EQUIPMENT
427 W. PIKE ST., JACKSON CENTER, OH 45334

CUSTOMER APPROVAL AND DATE	APPLICATIONS ENGINEERING	
	DRAWN BY	SHEET 1 OF 6
SIGNATURE	TITLE	
	SCALE 1:48	DRAWING NUMBER
DATE	DATE	

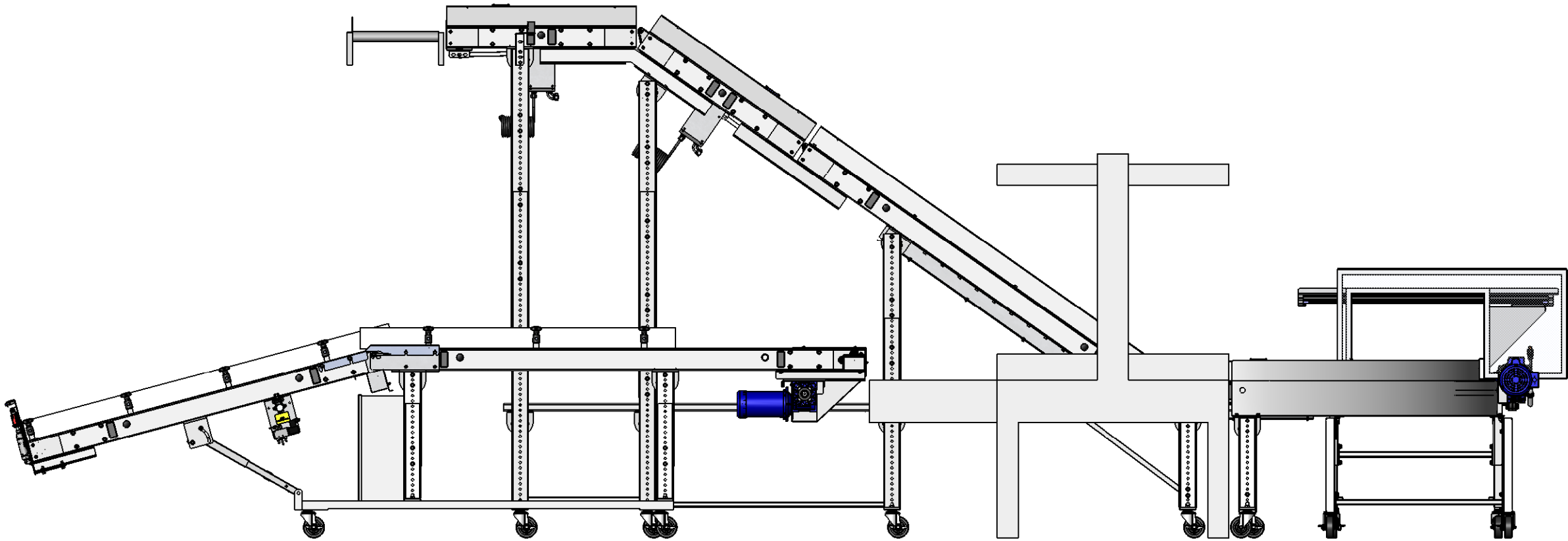
ISOMETRIC VIEW



EMI PLASTICS EQUIPMENT
427 W. PIKE ST., JACKSON CENTER, OH 45334

CUSTOMER APPROVAL AND DATE	APPLICATIONS ENGINEERING	
	DRAWN BY	SHEET 2 OF 6
SIGNATURE	TITLE	
DATE	SCALE 1:24	DRAWING NUMBER
	DATE	

FRONT VIEW



EMI PLASTICS EQUIPMENT
427 W. PIKE ST., JACKSON CENTER, OH 45334

CUSTOMER APPROVAL AND DATE

APPLICATIONS ENGINEERING

DRAWN BY

SHEET 3 OF 6

TITLE

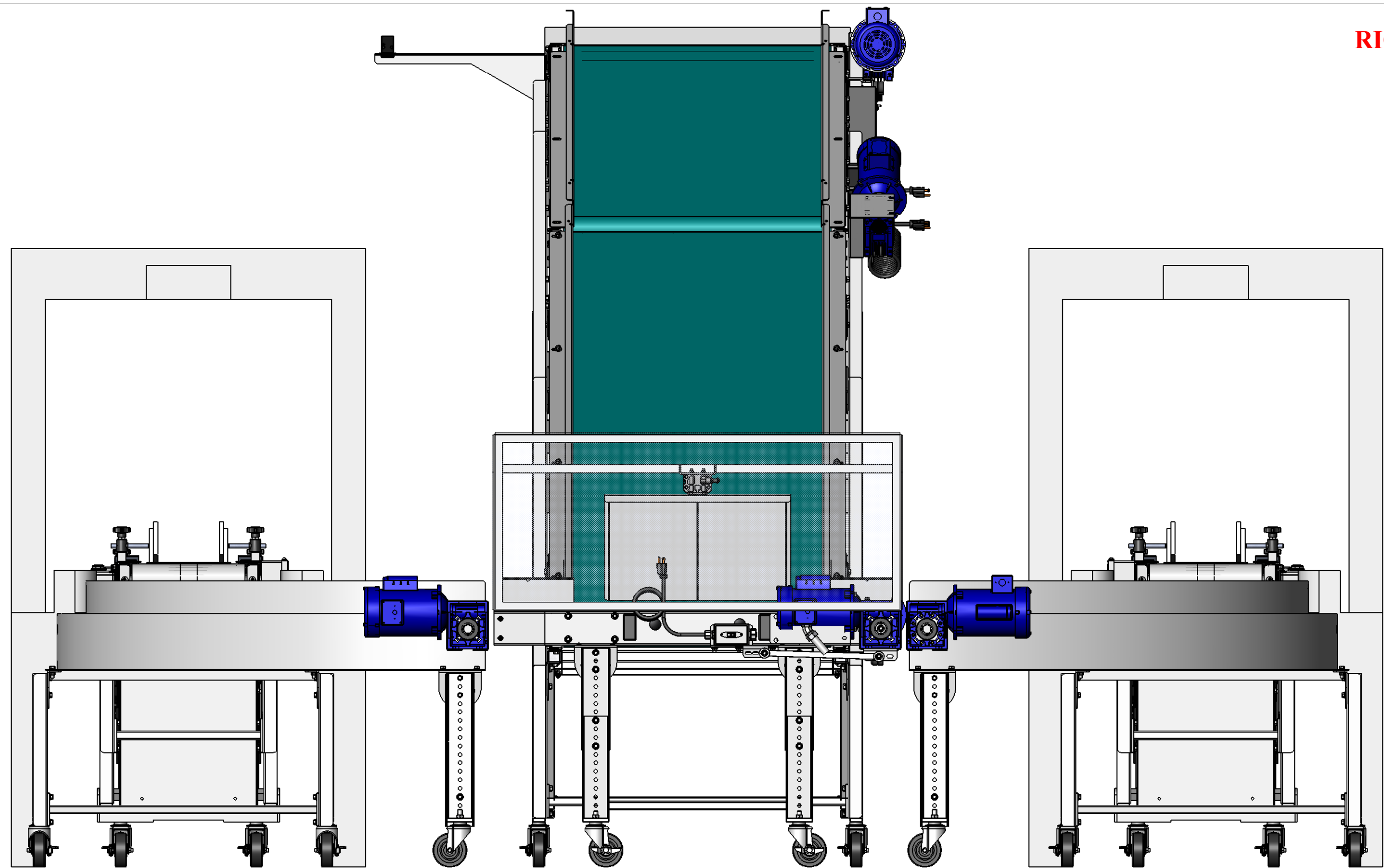
SIGNATURE

SCALE 1:24

DRAWING NUMBER

DATE

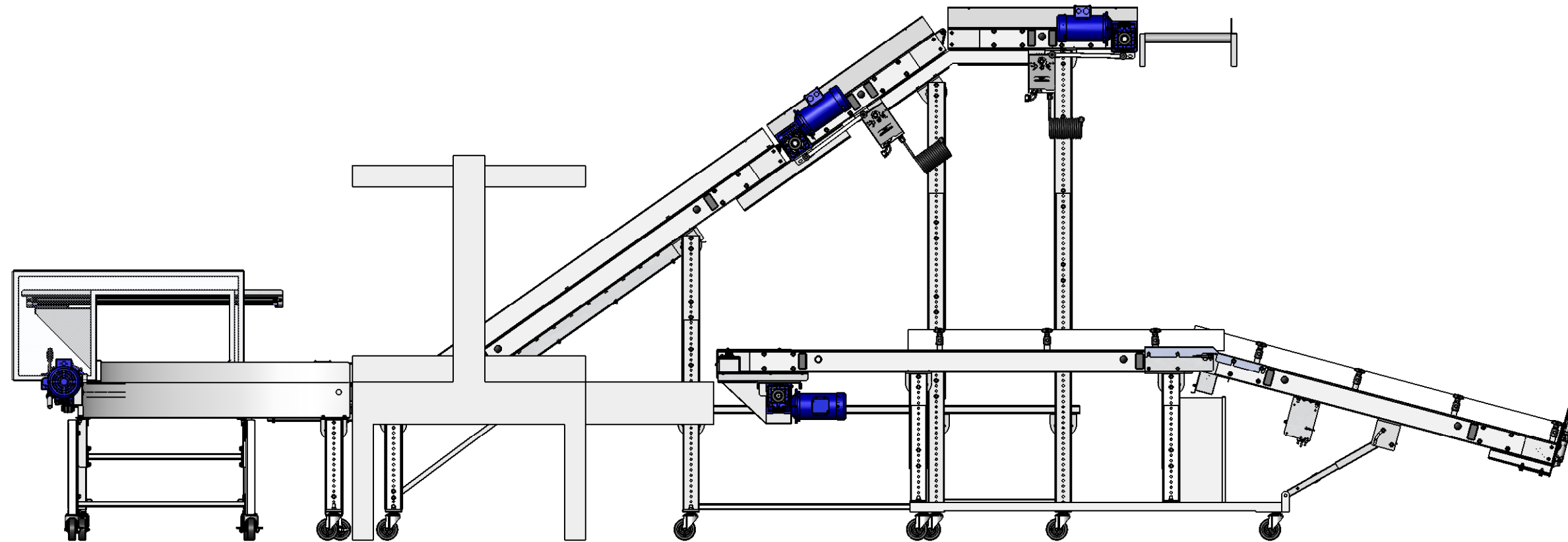
RIGHT VIEW



EMI PLASTICS EQUIPMENT
427 W. PIKE ST., JACKSON CENTER, OH 45334

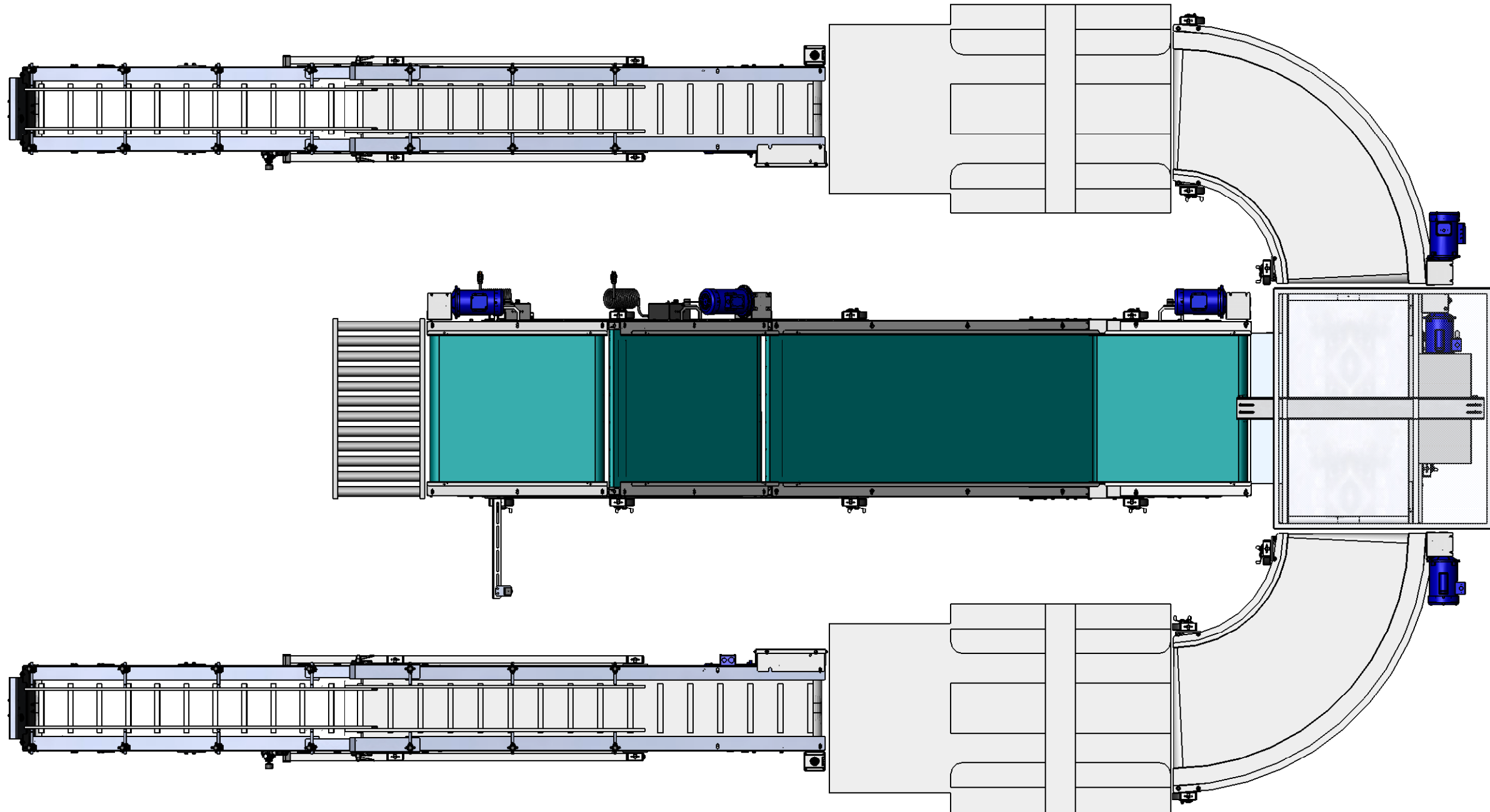
CUSTOMER APPROVAL AND DATE	APPLICATIONS ENGINEERING	
	DRAWN BY	SHEET 4 OF 6
SIGNATURE	TITLE	
DATE	SCALE 1:12	DRAWING NUMBER

BACK VIEW



EMI PLASTICS EQUIPMENT	
427 W. PIKE ST., JACKSON CENTER, OH 45334	
CUSTOMER APPROVAL AND DATE	APPLICATIONS ENGINEERING
_____	DRAWN BY _____ SHEET 5 OF 6
SIGNATURE	TITLE
_____	SCALE 1:24 DRAWING NUMBER
DATE	DATE

TOP VIEW



EMI PLASTICS EQUIPMENT
427 W. PIKE ST., JACKSON CENTER, OH 45334

CUSTOMER APPROVAL AND DATE	APPLICATIONS ENGINEERING	
	DRAWN BY	SHEET 6 OF 6
SIGNATURE	TITLE	
DATE	SCALE 1:24	DRAWING NUMBER
	DATE	