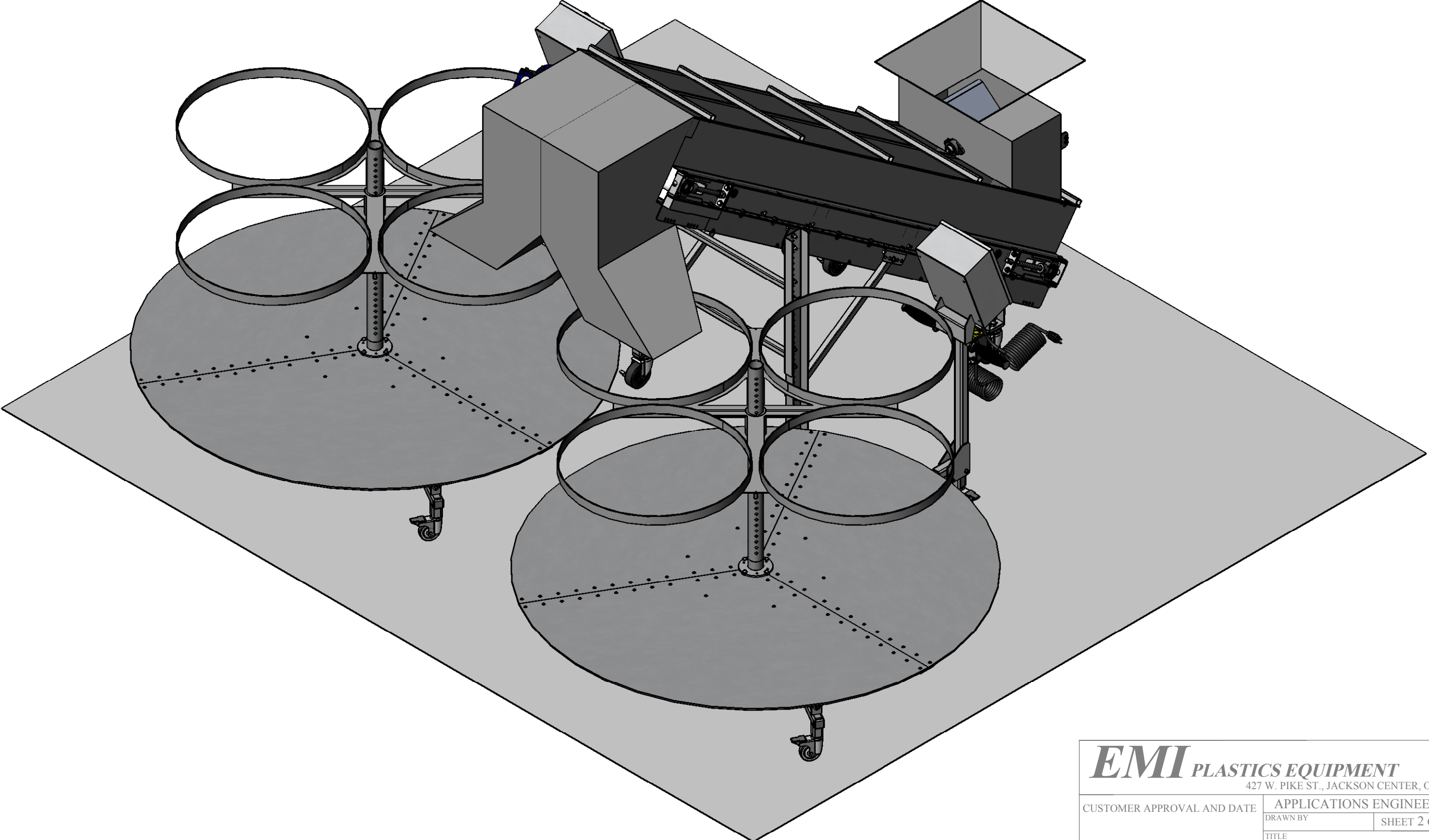


**EMI PLASTICS EQUIPMENT**  
 427 W. PIKE ST., JACKSON CENTER, OH 45334

CUSTOMER APPROVAL AND DATE	APPLICATIONS ENGINEERING	
	DRAWN BY	SHEET 1 OF 6
SIGNATURE	TITLE	
DATE	SCALE 1:32	DRAWING NUMBER

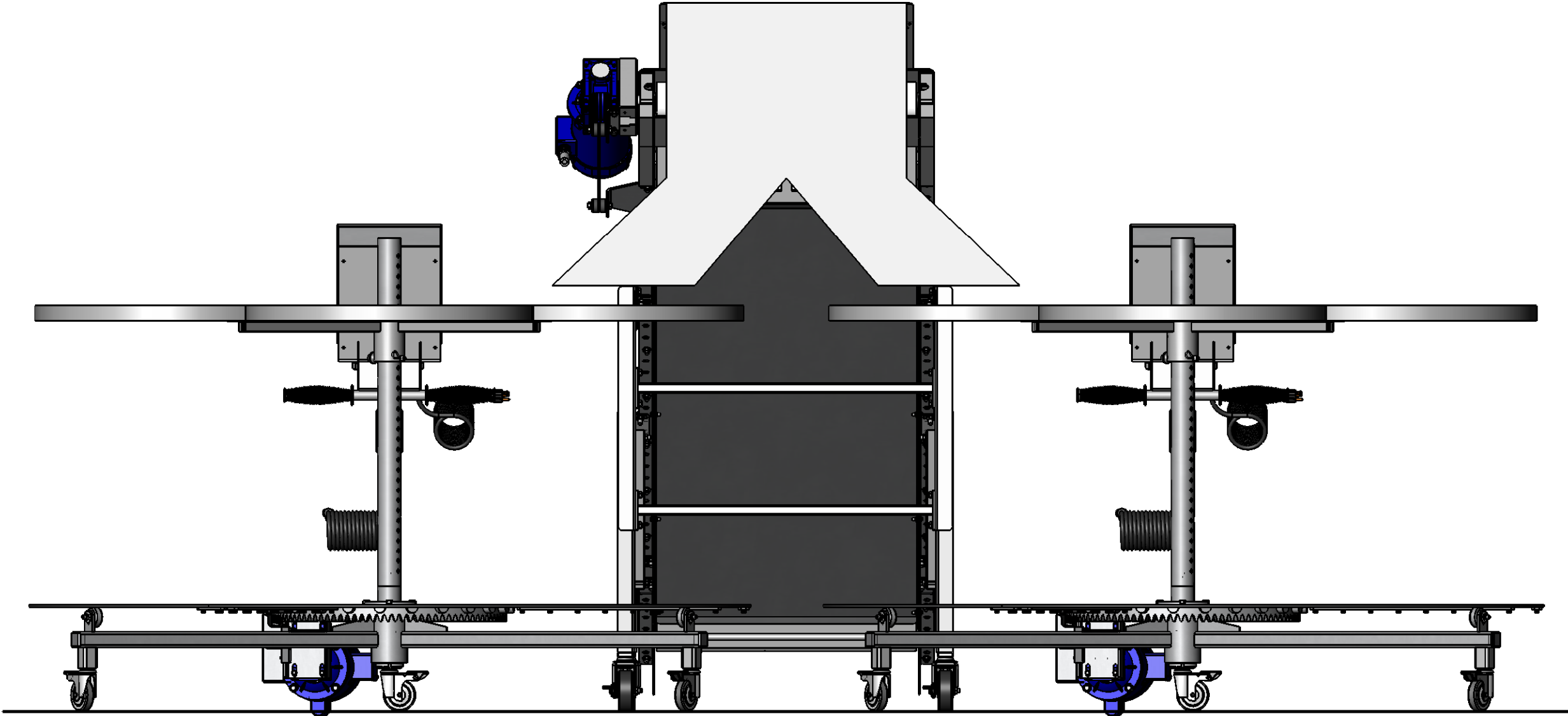
**ISOMETRIC VIEW**



**EMI PLASTICS EQUIPMENT**  
427 W. PIKE ST., JACKSON CENTER, OH 45334

CUSTOMER APPROVAL AND DATE	APPLICATIONS ENGINEERING	
	DRAWN BY	SHEET 2 OF 6
SIGNATURE	TITLE	
DATE	SCALE 1:14	DRAWING NUMBER
	DATE	

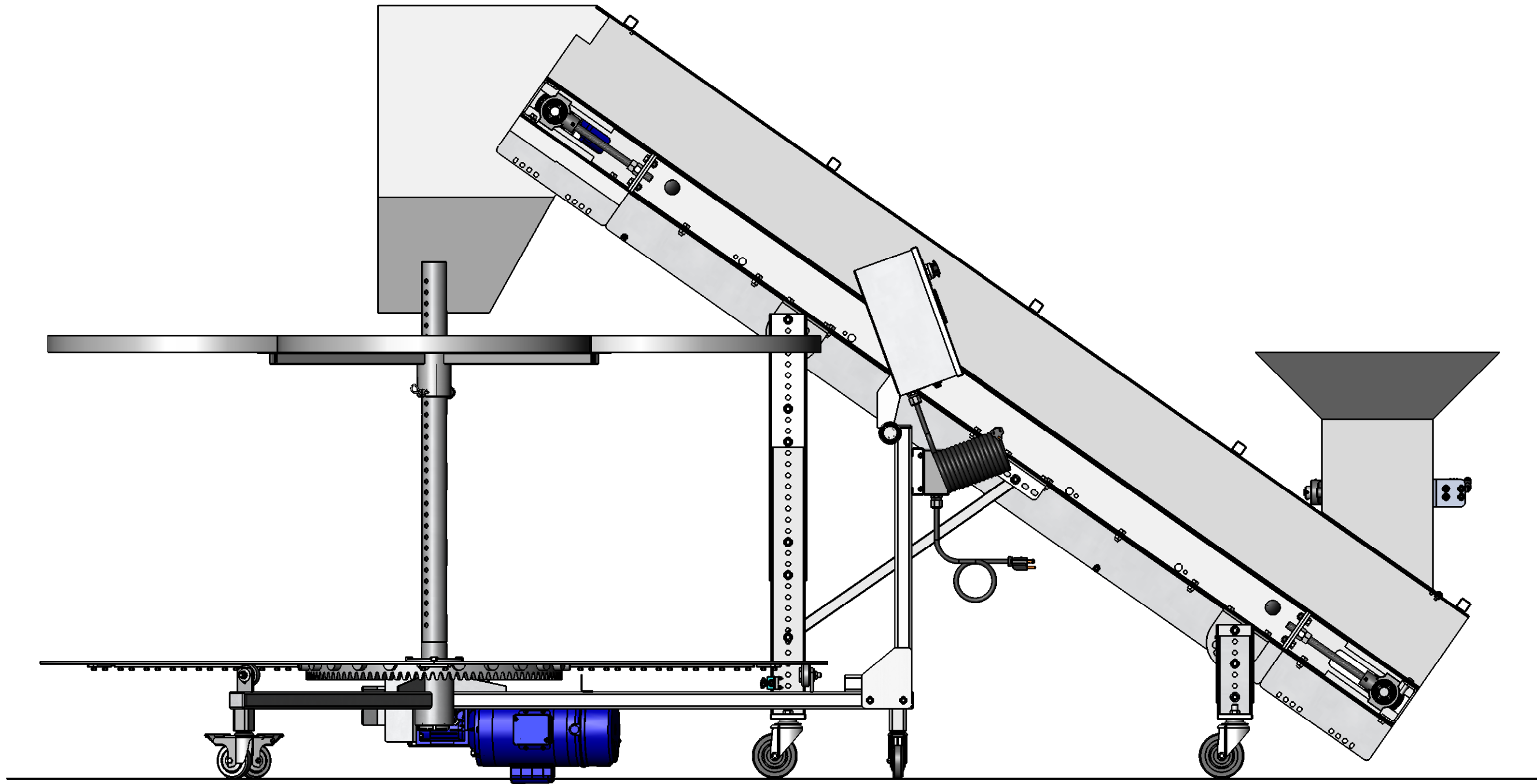
**FRONT VIEW**



**EMI** PLASTICS EQUIPMENT  
427 W. PIKE ST., JACKSON CENTER, OH 45334

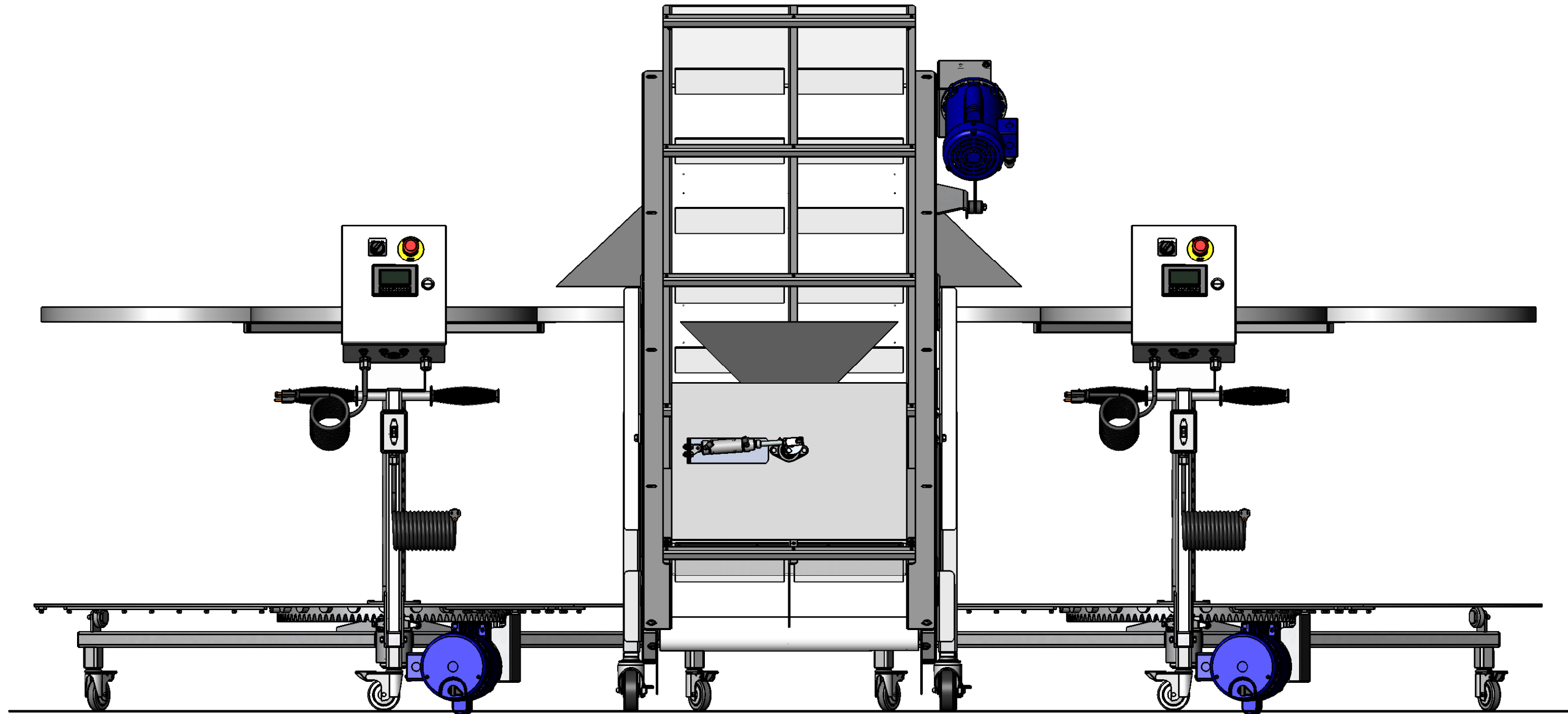
CUSTOMER APPROVAL AND DATE	APPLICATIONS ENGINEERING	
	DRAWN BY	SHEET 3 OF 6
SIGNATURE	TITLE	
DATE	SCALE 1:12	DRAWING NUMBER
	DATE	

**RIGHT VIEW**



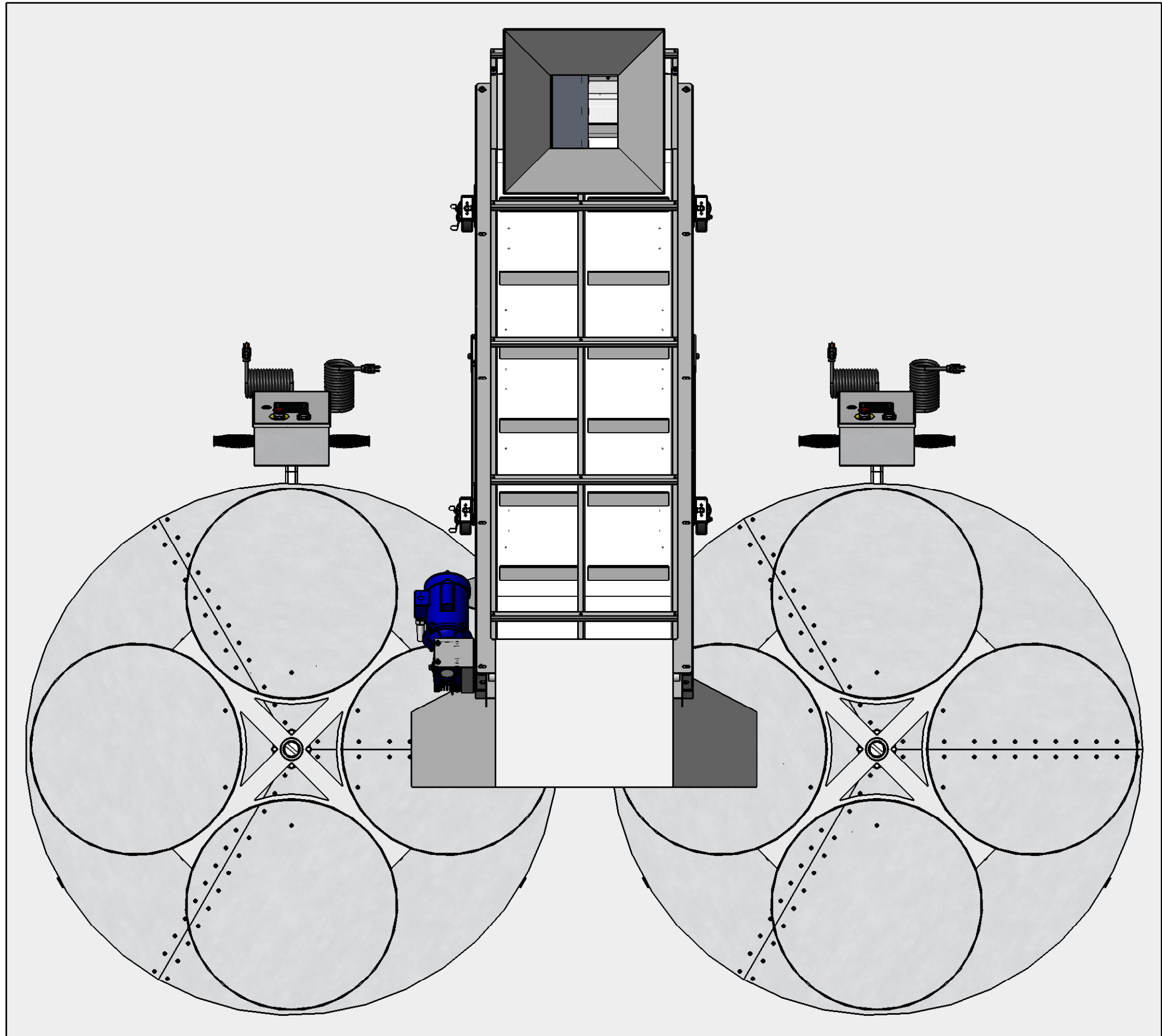
<b>EMI PLASTICS EQUIPMENT</b>	
427 W. PIKE ST., JACKSON CENTER, OH 45334	
CUSTOMER APPROVAL AND DATE	APPLICATIONS ENGINEERING
_____	DRAWN BY _____ SHEET 4 OF 6
SIGNATURE	TITLE
_____	SCALE 1:10 DRAWING NUMBER
DATE	DATE

**BACK VIEW**



<b>EMI PLASTICS EQUIPMENT</b>	
427 W. PIKE ST., JACKSON CENTER, OH 45334	
CUSTOMER APPROVAL AND DATE	APPLICATIONS ENGINEERING
	DRAWN BY SHEET 5 OF 6
SIGNATURE	TITLE
DATE	SCALE 1:10 DRAWING NUMBER
	DATE

**TOP VIEW**



**EMI PLASTICS EQUIPMENT**  
427 W. PIKE ST., JACKSON CENTER, OH 45334

CUSTOMER APPROVAL AND DATE	APPLICATIONS ENGINEERING	
	DRAWN BY	SHEET 6 OF 6
SIGNATURE	TITLE	
DATE	SCALE 1:14	DRAWING NUMBER
	DATE	