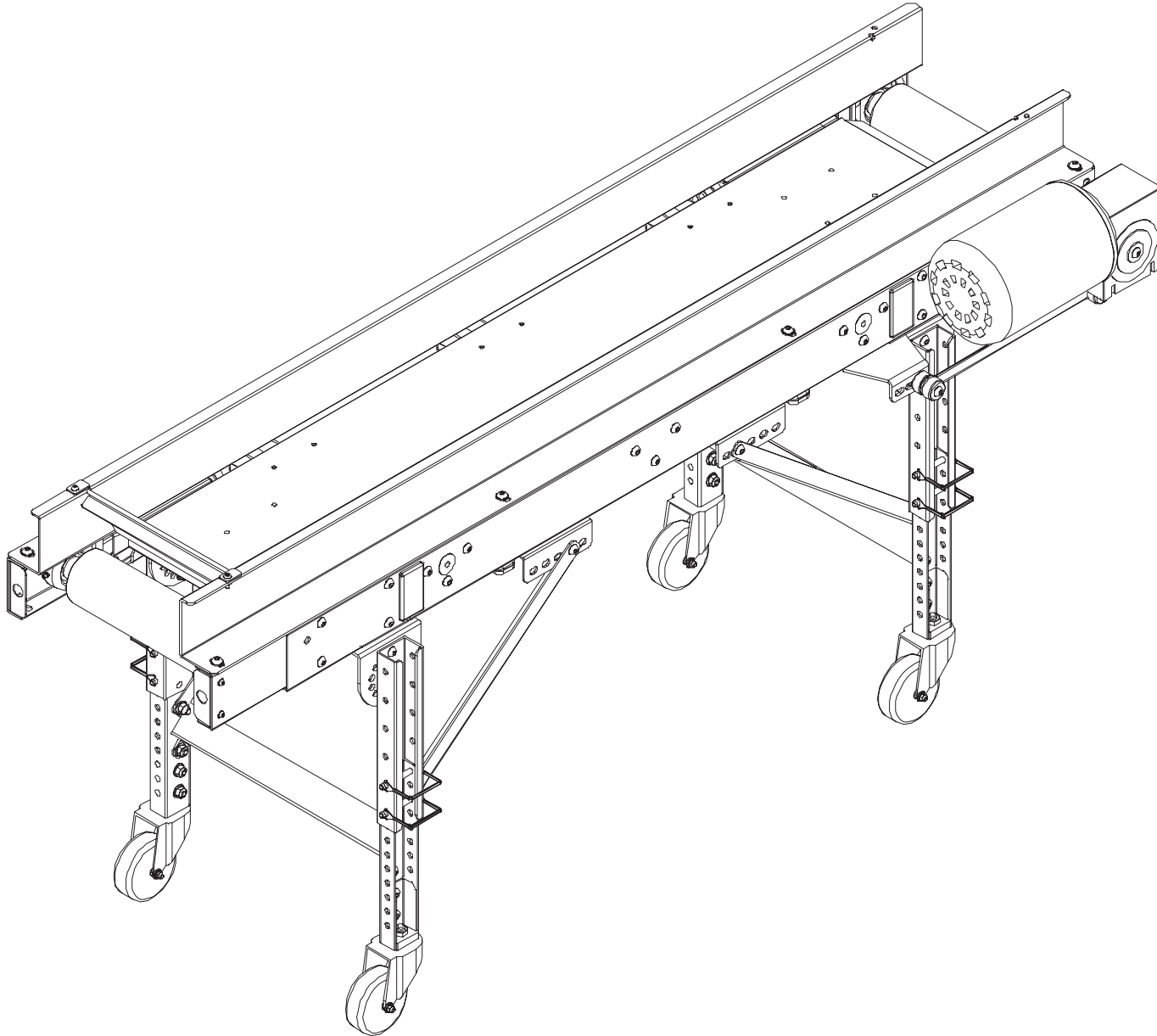
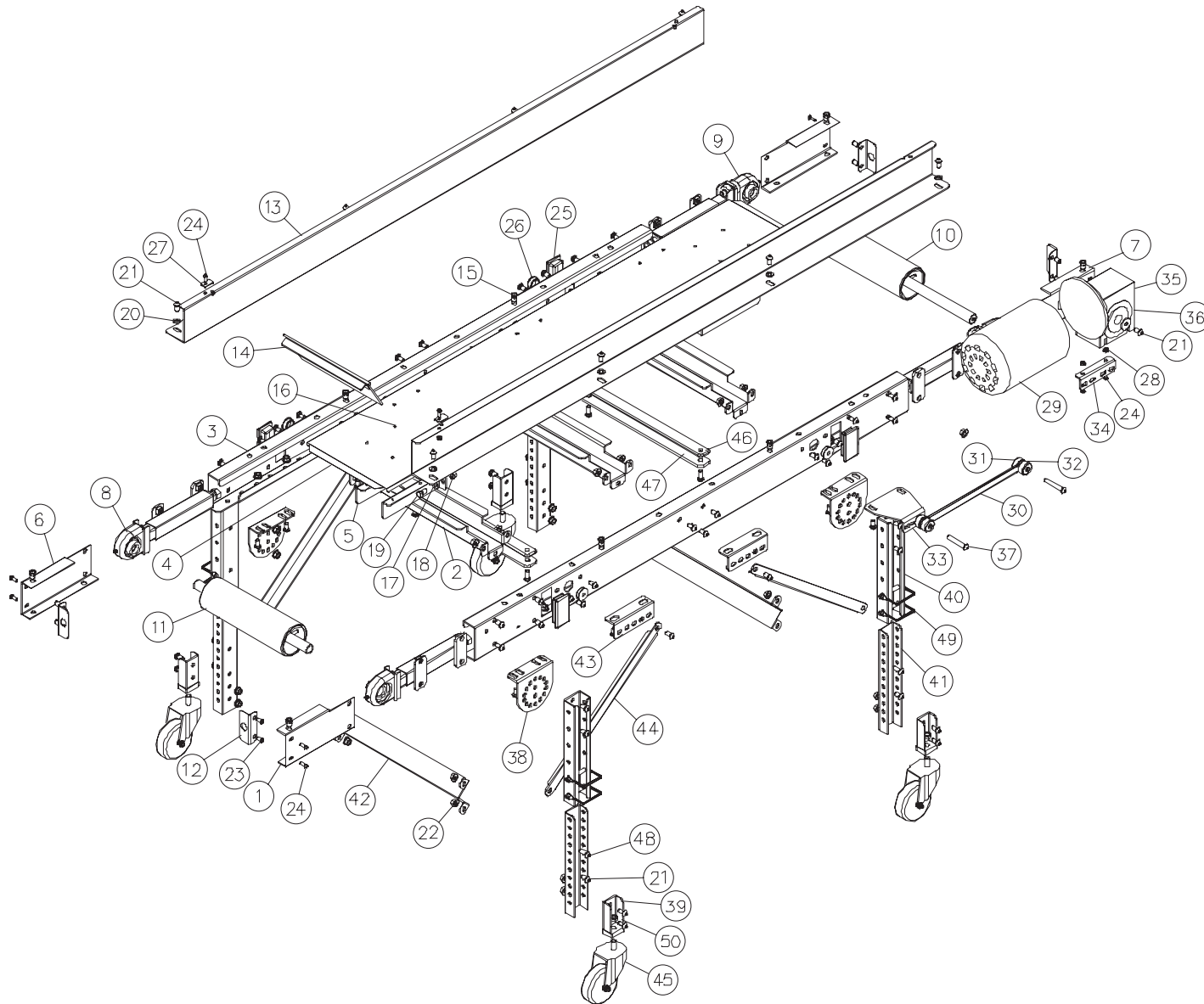


**SECTION VIII. PARTS LISTS AND 3-D DRAWINGS**

ADF CONVEYOR - ASSEMBLED VIEW





**SECTION VIII. PARTS LISTS AND 3-D DRAWINGS****ADF CONVEYOR - EXPLODED VIEW**

## ADF CONVEYOR PARTS LIST

ITEM	QTY	PART DESCRIPTION	EMI P/N	ITEM	QTY	PART DESCRIPTION	EMI P/N
1	2	RH PULLEY GUARD	4M-08-1-R	26	4	PLASTIC PLUG	EL-395
2	3	CROSS BRACE	4M-41-1-W	27	2	FLAPPER CLIP	2E-01-10
3	2	FRAME SIDE	See BOM	28	4	1/4-20 HEX NUT	CP-3297
4	1	SLIDE TRAY	See BOM	29	1	MOTOR	See BOM
5	4	SLIDE TRAY END SUPPORT	4M-29-1	30	1	REACTION ROD	2M-38-1
6	1	LH PULLEY GUARD	4M-08-1-L	31	4	3/8 FLAT WASHER (FENDER)	CP-671-B
7	1	DRIVE SIDE PULLEY GUARD	4M-08-2-L	32	2	RUBBER MOUNT	CP-3178
8	2	TAKE-UP ASS'Y	2M-232-3	33	1	REACTION ROD BRACKET	2M-14-29
9	2	DRIVE END TAKE-UP ASS'Y	2M-232-4	34	1	REACTION ROD BRACKET	2M-14-28
10	1	DRIVE PULLEY	4M-210-1-W	35	1	GEAR BOX	See BOM
11	1	TAIL PULLEY	4M-224-2-W	36	1	3/8 FLAT WASHER (FENDER)	CP-671-B
12	4	BEARING COVER	4M-67-1	37	2	3/8-16 X 2-1/2 BUTTON HD CAP SCREW	CP-3296
13	2	SIDE RAIL	See BOM	38	4	LEG MOUNTING BRACKET	See BOM
14	1	FLAPPER	See BOM	39	4	LEG ADAPTOR	4M-236-15
15	8	3/8-16 HEX NUTSERT	CP-2856	40	4	LEG EXTENSION	See BOM
16	20	RIVET	CP-2052	41	4	LEG	See BOM
17	4	3/8 WASHER	CP-3342	42	2	LEG EXTENSION CROSS BRACE	See BOM
18	4	3/8-16 HEX NUT	CP-3299	43	4	KNEE BRACE BRACKET	4M-14-11
19	4	3/8-16 X 3/4 HEX BOLT	CP-2890	44	4	KNEE BRACE	See BOM
20	8	3/8 FLAT WASHER	CP-3342	45	4	CASTOR	CP-1237
21	85	3/8-16 X 3/4 BUTTON HD CAP SCREW	CP-3293	46	2	UHMW IDLER	4M-29-3-W
22	70	3/8-16 HEX NUT	CP-2869-B	47	2	IDLER	4M-29-4-W
23	8	1/4-20 HEX NUTSERT	CP-2132	48	8	3/8-16 X 1 BUTTON HD CAP SCREW	CP-3325
24	12	1/4-20 X 3/4 BUTTON HD CAP SCREW	CP-3291	49	8	CLIP PIN	CP-3301
25	4	PLASTIC PLUG	CP-1581	50	4	1/2-13 JAM NUT	CP-508-B

Part numbers listed in this document are for reference only. When buying replacement parts please provide your conveyor model & serial number to ensure the correct part.