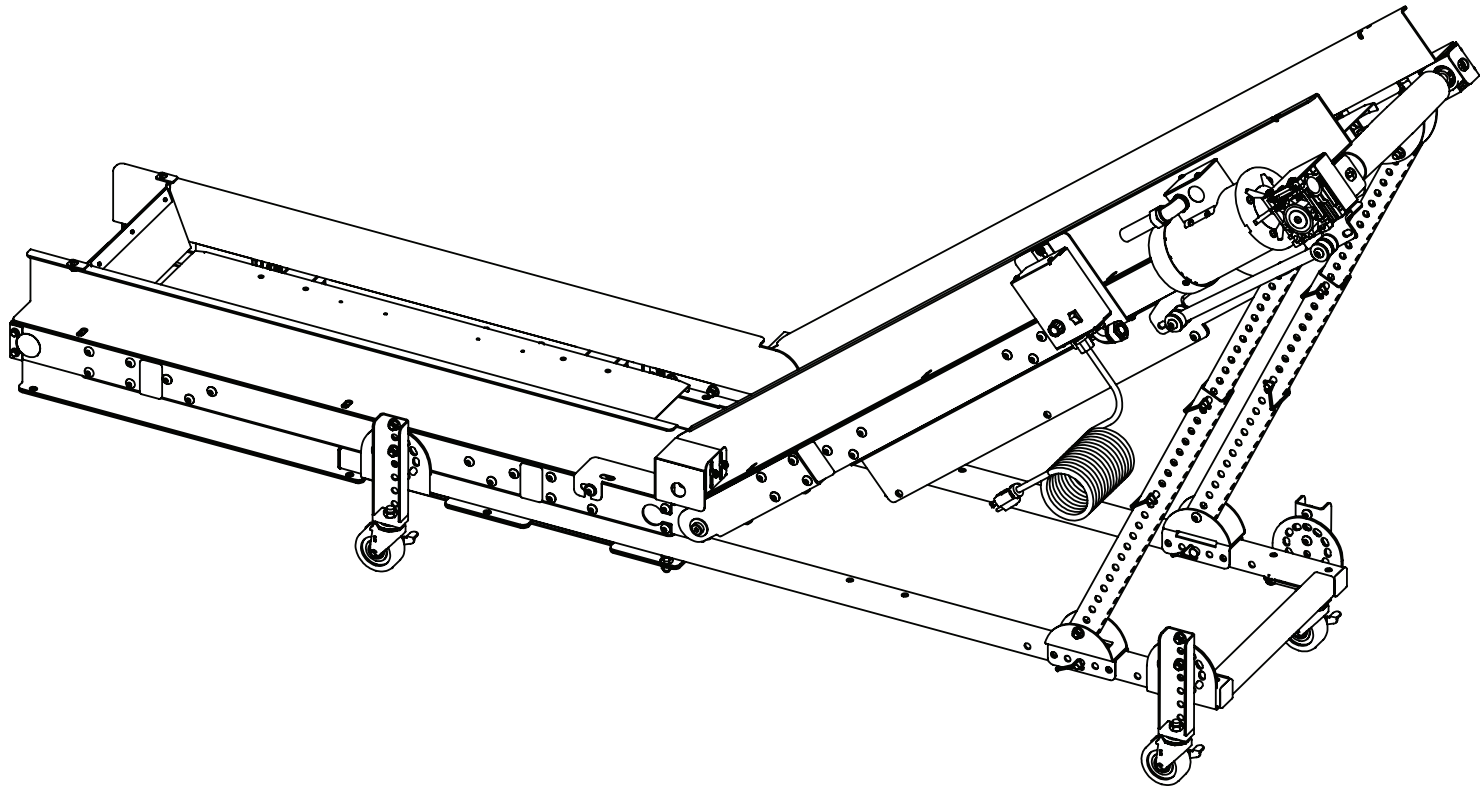


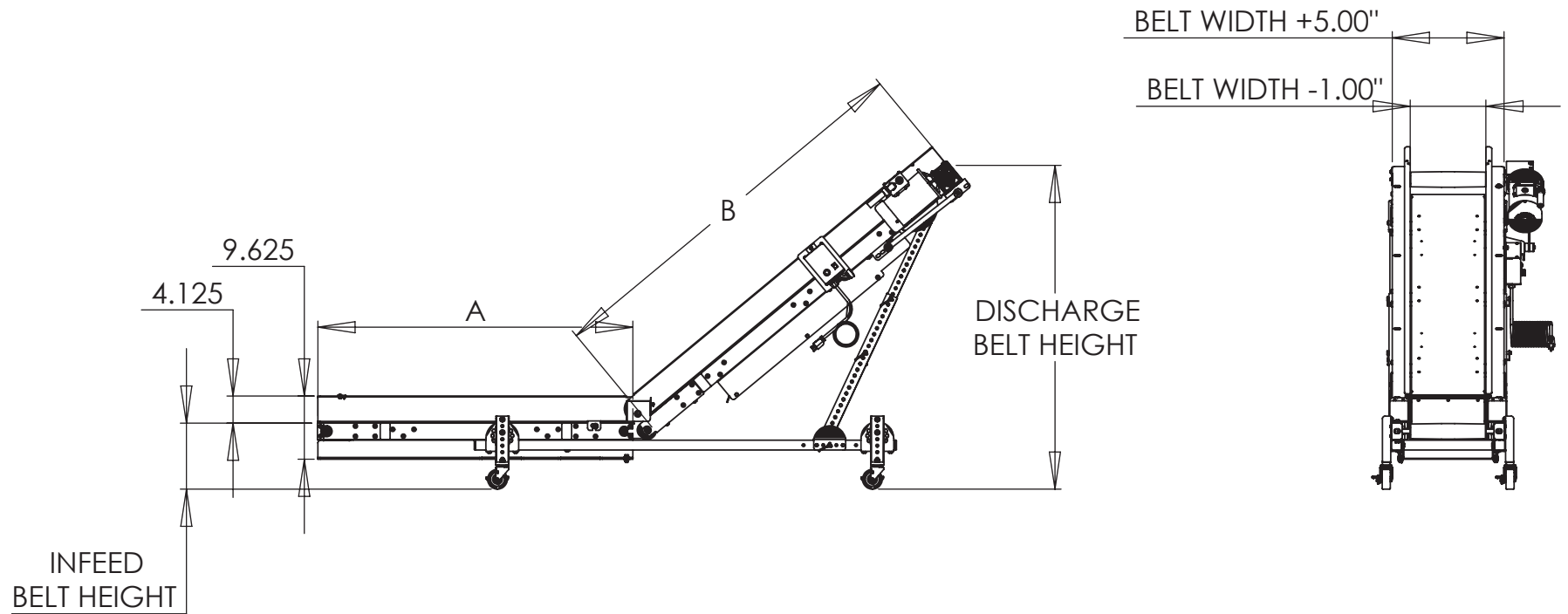
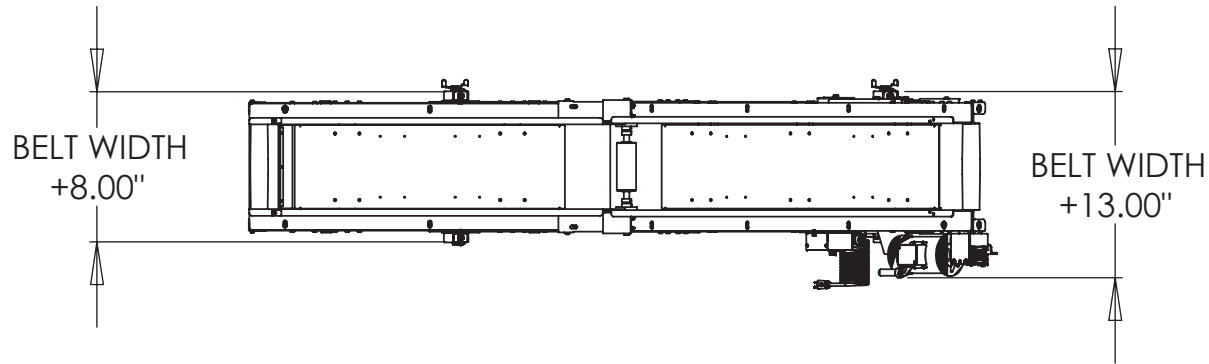
**SECTION VIII. PARTS LISTS AND 3-D DRAWINGS**

## ATLK CONVEYOR - ASSEMBLED VIEW



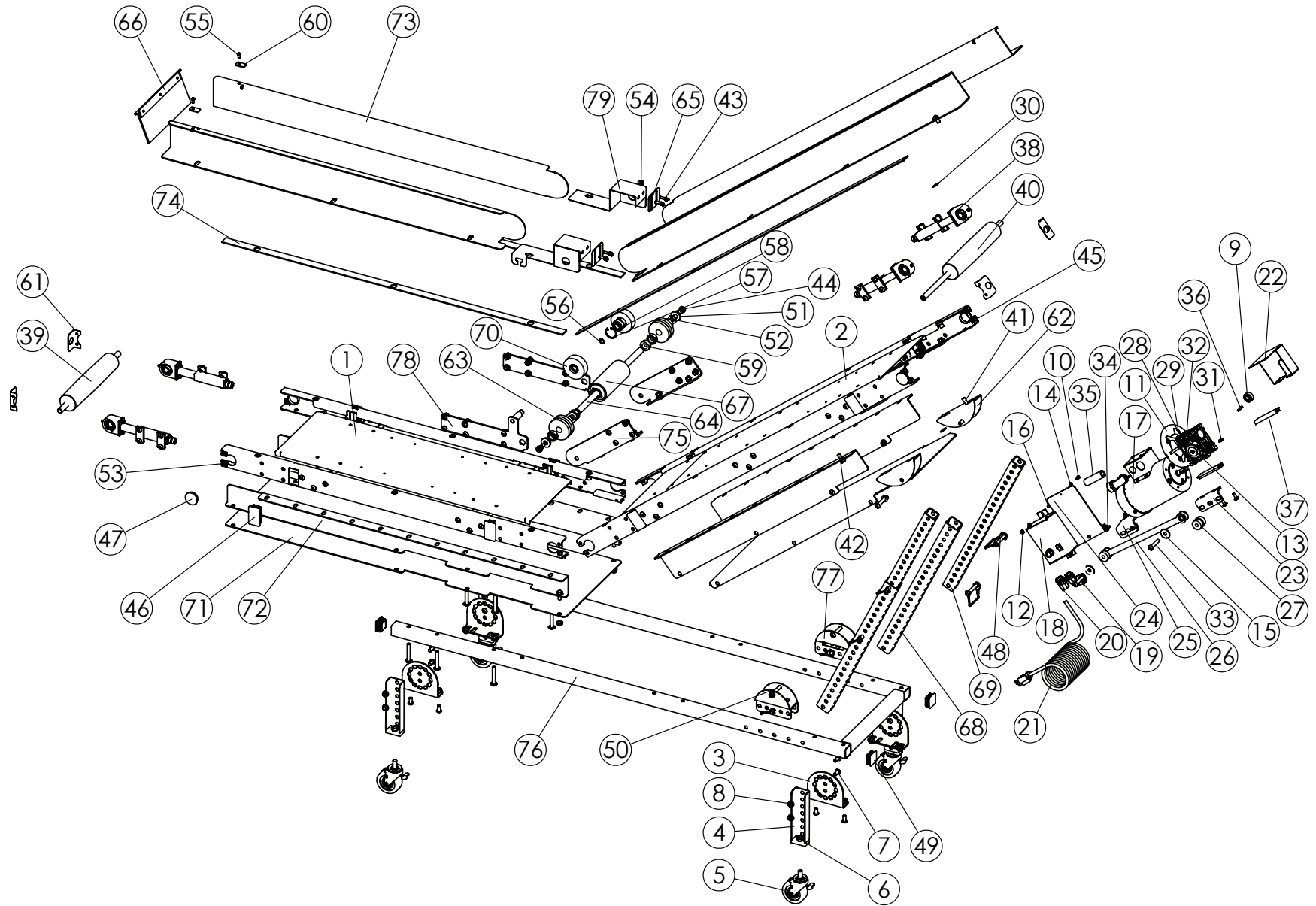
# SECTION VIII. PARTS LISTS AND 3-D DRAWINGS

## ATLK CONVEYOR - CATALOG VIEW



**SECTION VIII. PARTS LISTS AND 3-D DRAWINGS**

## ATLK CONVEYOR - EXPLODED VIEW



## ATLK CONVEYOR PARTS LIST

ITEM	QTY	PART DESCRIPTION	PART #
1	1	INFEED FRAME ASSEMBLY	2L-206-L-W-2
2	1	DISCHARGE FRAME ASSEMBLY	2L-206-L-W-2
3	4	LEG MOUNTING BRACKET	CALL
4	4	LEG	CALL
5	4	CASTOR	CP-1237
6	4	1/2-13 HEX HALF-NUTS	CP-508
7	60	3/8-16 X 3/4" HHCS	CP-3293
8	62	3/8-16 SERATED FLANGE LOCKNUT	CP-3299
9	1	5/8 X 1-1/8 X 1/2" SET SCREW COLLAR	CP-1200
10	2	#10-32 X 1/2" RHMS	CP-271
11	1	GEARBOX	SEE SPEC SHEET
12	2	#10-32 HEX NYLON INSERT LOCKNUT	CP-516
13	1	1/4 X 1-1/4 FENDER WASHER	CP-591
14	4	3/16" FLAT WASHER	CP-656
15	4	3/8" FLAT WASHER	CP-3342
16	2	#10 LIGHT LOCK WASHER	CP-710
17	1	MOTOR	SEE SPEC SHEET
18	1	VARIABLE SPEED CONTROL	SEE SPEC SHEET
19	2	90 DEGREE ELBOW	EL-353
20	1	90 DEGREE ELBOW	EL-353
21	1	15' POWER CABLE	2E-263-1
22	1	MOTOR COVER	2L-08-3
23	1	MOTOR MOUNTING BRACKET	2L-14-4
24	1	CONTROL MOUNTING PLATE	2L-27-2
25	1	MOTOR SUPPORT BRACKET	2M-14-29
26	1	REACTION ROD	2M-38-1
27	2	REACTION ROD UNIVERSAL MOUNT	CP-3178
28	4	1/4" LOCK WASHER	CP-3343
29	11	1/4-20 X 3/4" HEX FLANGE SCREW	CP-695
30	14	3/8" FLAT WASHER	CP-3342
31	4	1/4-20 HEX SERATED FLANGE LOCKNUT	CP-3297
32	6	1/4" FLAT WASHER	CP-3340
33	2	3/8-16 X 2" HHCS	CP-3295
34	4	1/4-20 LOCKNUT	CP-3297
35	1	CONDUIT	4E-62-1
36	1	3/16" SQ. X 1" KEY	CP-1006
37	4	1/8" SPACER, J-LOCK STYLE	2L-31-4-4
38	4	TAKE-UP	2L-232-11
39	1	TAIL PULLEY	2L-24-2-W

ITEM	QTY	PART DESCRIPTION	PART #
40	1	DRIVE PULLEY	2L-10-5-W
41	4	3/8-16 X 1" HHCS	CP-3325
42	4	3/8-16 X 3/4" HHCS	CP-3293
43	4	1/4-20X3/4 SHOULDER THUMB SCREW	CP-690
44	2	1/2"ODx3/8 LONG SHOULDER 3/8	16 THREAD
45	8	TINNERMAN FASTENER	CP-1418
46	8	1.5" X 2.5" RECTANGULAR CAP	CP-3532
47	5	1.5" ROUND CAP	CP-3477
48	6	SAFETY SNAP PIN	CP-2889
49	4	1.5" x 1.5" BLACK PLUG	CP-2321
50	10	3/8-16 X 2 1/2" HHCS	CP-3296
51	2	SST 1/2" FL WASHER	CP-894
52	2	1/2" FLAT WASHER	CP-658
53	8	1/4-20 X 1/2" HEX FLANGE SCREW	CP-3067
54	4	1/4-20 NUTSERT	CP-2132
55	2	1/4-20X1/2 BHSCS	CP-3613
56	2	SNAP RING, 15MM EXTERNAL RING	CP-7035
57	2	SNAP RING 35MM DIA	CP-7310
58	2	ROLLER BEARING	CP-7037
59	6	3/4 X 1-1/4 X 9/16 SET SCREW COLLAR	CP-1210
60	2	FLAPPER CLIP	2E-01-10
61	4	FRAME END GUARD	2L-09-4-2
62	2	UPPER LEG MOUNTING BRACKET	2L-14-9-2
63	2	RETURN IDLER TRANSITION WHEEL	2L-15-1
64	1	RETURN IDLER SHAFT	4M-21-3-12
65	2	TRANSITION PINCH IDLER GUARD	4M-08-6
66	1	FLAPPER ASSEMBLY	4E-249-16-W
67	1	RETURN IDLER ROLLER 2 9/16" DIA.	2M-40-2-W
68	2	SUB-BASE TO CONV EXTENSION	CALL
69	2	LEG FROM SUB-BASE TO CONV	CALL
70	2	TRANSITION PINCH IDLER ROLLER	2M-15-1
71	1	BOTTOM SLIDE TRAY SIDE	CALL
72	1	BOTTOM SLIDE TRAY	CALL
73	1	SIDE RAIL	CALL
74	2	SIDE RAIL SPACER	2L-31-2-L
75	1	DISCH TRANSITION CONNECT PLATE	2L-2716 & 17
76	1	SUB-BASE WELD ASSY	2L-241-1-W-L-2
77	2	SUPPORT ASSEMBLY FOR LEG	2L-229-6
78	1	TRANSITION CONNECTING PLATE	2L-227 5 & 6
79	2	TRANSITION IDLER GUARD	2L-208 1 & 2

Part numbers listed in this document are for reference only. When buying replacement parts please provide your conveyor model & serial number to ensure the correct part.