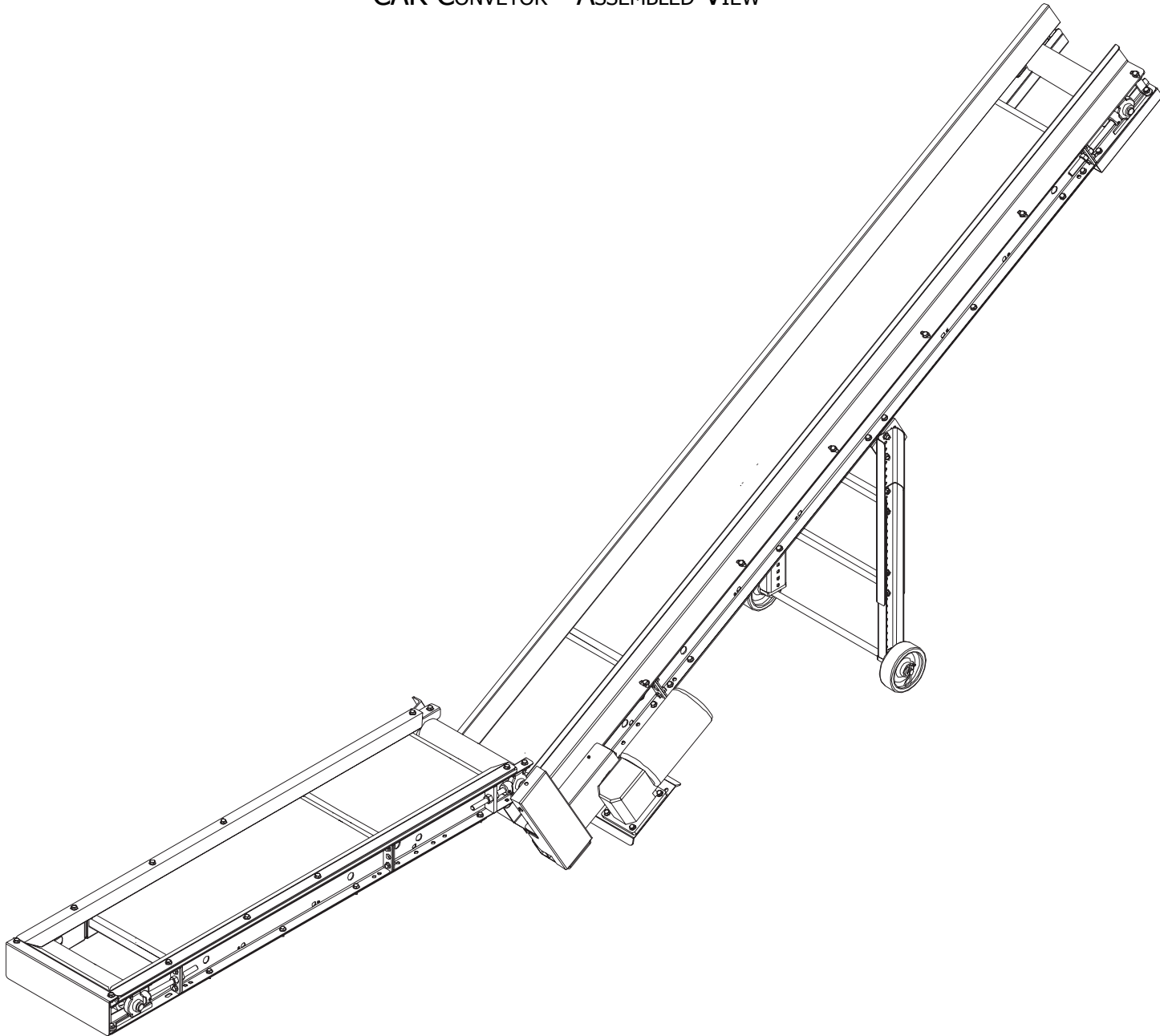


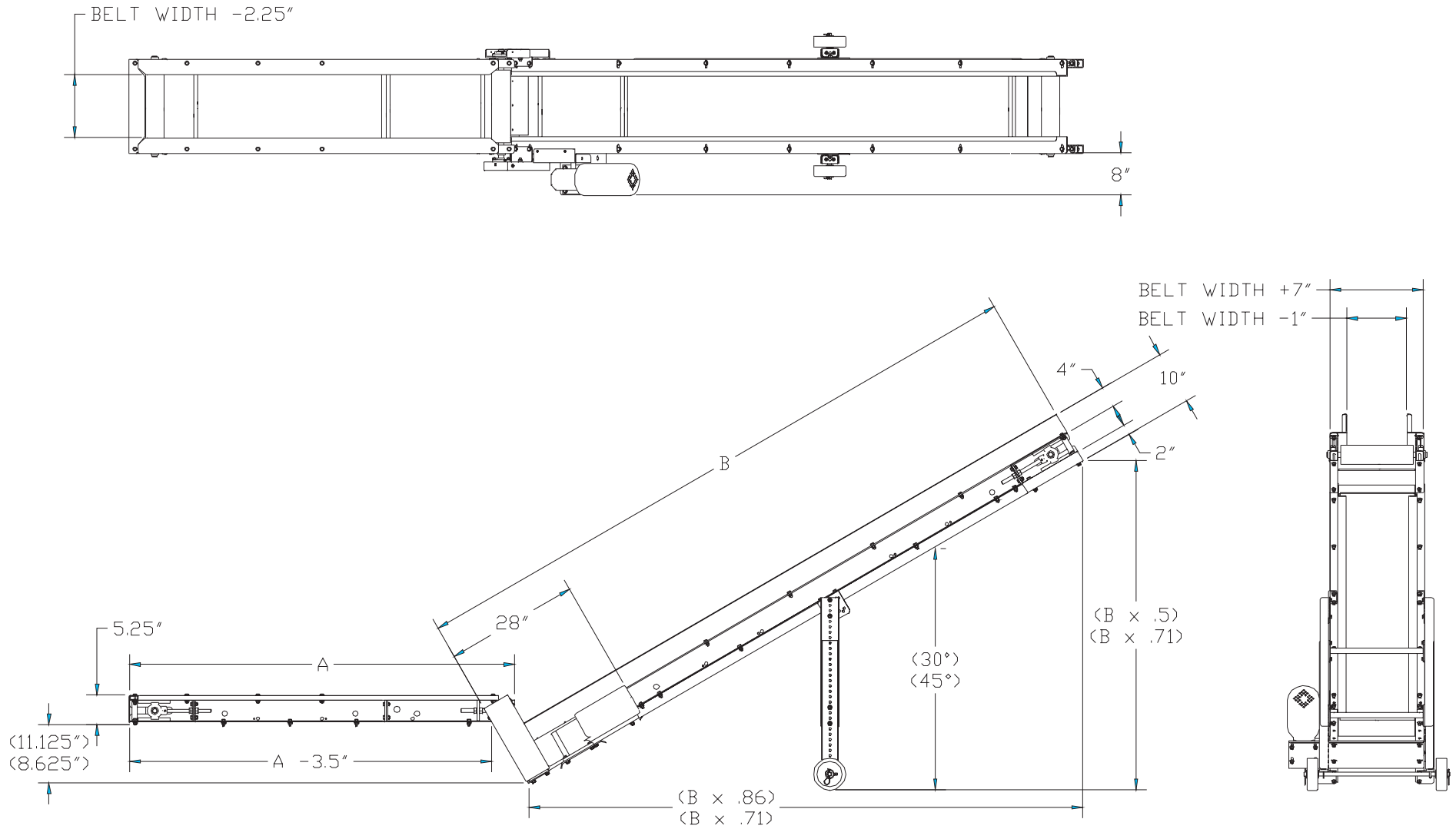
SECTION VIII. PARTS LISTS AND 3-D DRAWINGS

CAR CONVEYOR - ASSEMBLED VIEW



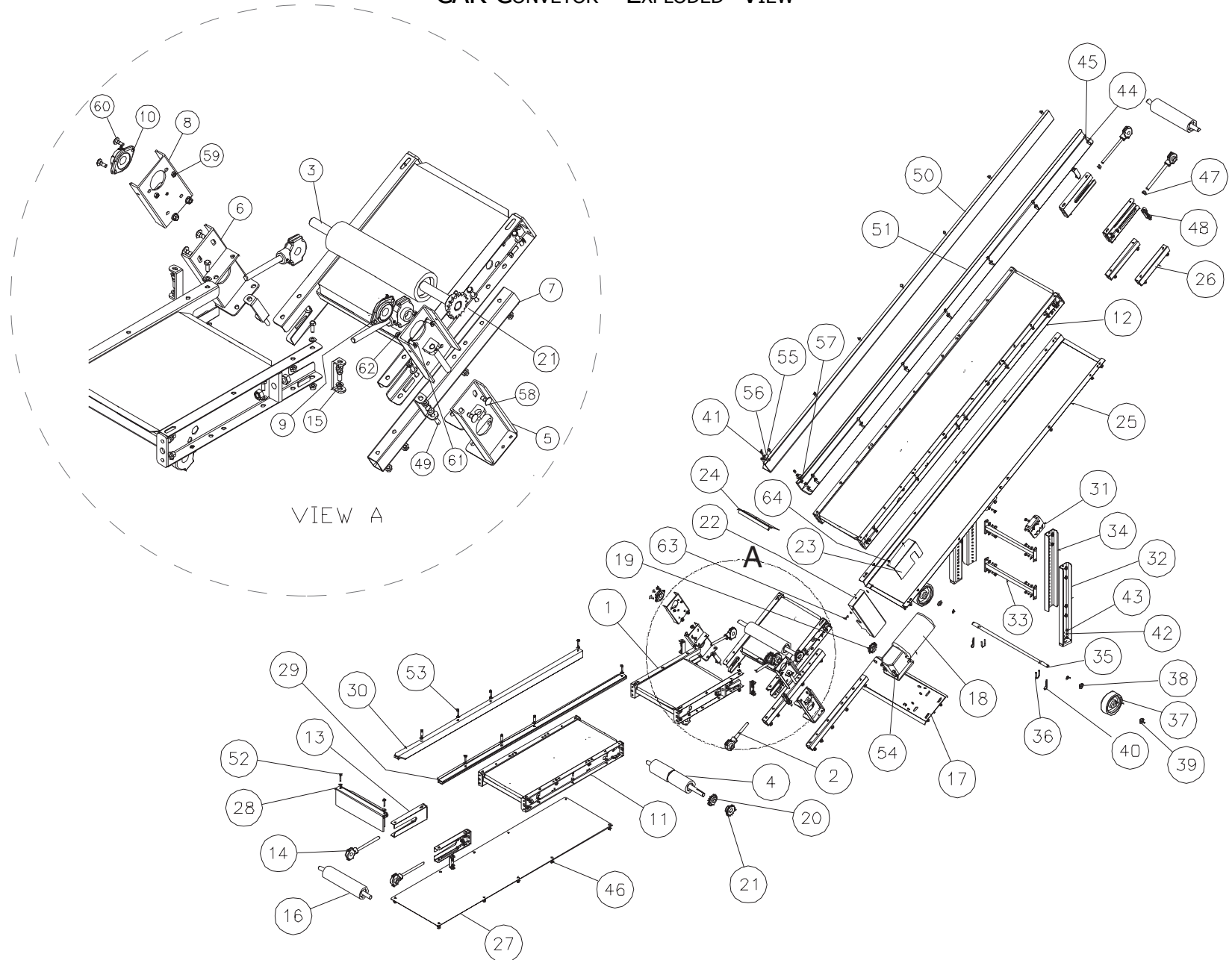
SECTION VIII. PARTS LISTS AND 3-D DRAWINGS

CAR CONVEYOR - CATALOG VIEW



SECTION VIII. PARTS LISTS AND 3-D DRAWINGS

CAR CONVEYOR - EXPLODED VIEW



CAR CONVEYOR PARTS LIST

ITEM	QTY	PART DESCRIPTION	EMI P/N	ITEM	QTY	PART DESCRIPTION	EMI P/N
1	2	DRIVE HEAD ASSY	2E-204-1-W	34	2	LEG EXTENSION	SEE CHART
2	4	DRIVE PULLEY TAKE-UP BEARING	2E-232-3	35	1	AXLE SHAFT C-A-R AXLE	See BOM
3	1	DRIVE PULLEY	2E-210-18-W	36	2	"U" BOLT	CP-459
4	1	DRIVE PULLEY	2E-210-17-W	37	2	WHEEL	CP-1361
5	1	SUPPORT ARM ASSY	4E-229-39	38	2	SNAP RING	CP-752
6	1	SUPPORT ARM ASSY	4E-229-40	39	4	3/4 WASHER	CP-667
7	2	MOTOR MOUNT SPACER TUBE	4E-31-1	40	2	SPRING PIN	CP-1285
8	2	SUPPORT ARM ASSY	2E-229-2	41	8	1/4 WASHER	CP-654
9	1	BEARING	CP-824	42	4	1/4 LOCK WASHER	CP-702
10	1	BEARING	CP-825	43	4	1/4-20 HEX NUT	CP-654
11	1	FRAME ASSY	4E-206-L-W	44	102	3/8 WASHER	CP-662
12	1	FRAME ASSY	4E-206-L-W	45	70	3/8-24x1 HEX BOLT	CP-141
13	4	TAIL ASSY	4E-258-2	46	106	3/8-24 HEX NUT	CP-521
14	4	TAIL PULLEY TAKE-UP BEARING	2E-232-2	47	16	5/8-11 LOCK NUT	CP-505
15	8	END BRACKET	4E-14-1	48	12	3/8-24x2-3/4 HEX BOLT	CP-167
16	2	TAIL PULLEY	2E-224-2-W	49	2	3/8-24x3 HEX BOLT	CP-154
17	1	MOTOR AND REDUCER SUPPORT	4E-29-23-W	50	1	"CAR" RAIL (RH)	See BOM
18	1	MOTOR AND REDUCER	See BOM	51	1	"CAR" RAIL (LH)	See BOM
19	1	SPROCKET	CP-1295	52	2	3/8-24x1-3/4 HEX BOLT	CP-127
20	1	SPROCKET	CP-1364	53	8	3/8-24x1-1/2 HEX BOLT	CP-137
21	2	SPROCKET	CP-1294	54	8	3/8-24x1-1/4 HEX BOLT	CP-128
22	1	COVER	4E-67-32	55	2	PARTS RETAINER BRACE	2E-41-41-W
23	1	"CAR" CHAIN GUARD	2E-08-42	56	2	1/4-28x1-3/4 HEX BOLT	CP-130
24	1	FLAPPER ASSY	2E-249-5-W	57	2	1/4-28 HEX NUT	CP-517
25	1	BOTTOM SLIDE TRAY	4E-245-L-W	58	4	3/8-16 CARRIAGE BOLT	CP-465
26	2	SPACER TUBE	4E-31-5	59	2	5/16-18 HEX NUT	CP-518
27	1	BOTTOM SLIDE TRAY	See BOM	60	2	5/16-18 CARRIAGE BOLT	CP-460
28	1	SIDE RAIL END	4E-233-6213-W	61	2	5/16-24x1 HEX SOCKET FLAT COUNTERSUNK HEAD CAP SCREW	CP-276
29	1	"CAR" RAIL ASSY	See BOM	62	2	5/16-24 HEX NUT	CP-519
30	1	"CAR" RAIL ASSY	See BOM	63	2	1/4-20x3/4 SLOTTED ROUND HEAD CAP SCREW	CP-2305
31	2	LEG MOUNTING BRACKET	4E-14-3	64	2	NO. 8-18x1/2 RECESSED PAN HEAD TAPPING SCREW	CP-400
32	2	LEG ASSY	SEE CHART	65	1	DRIVE CHAIN (NOT SHOWN)	2E-40-4
33	2	LEG BRACE ASSY	4E-241-1-W	66	1	INTERMEDIATE CHAIN (NOT SHOWN)	2E-40-3

Part numbers listed in this document are for reference only. When buying replacement parts please provide your conveyor model & serial number to ensure the correct part.