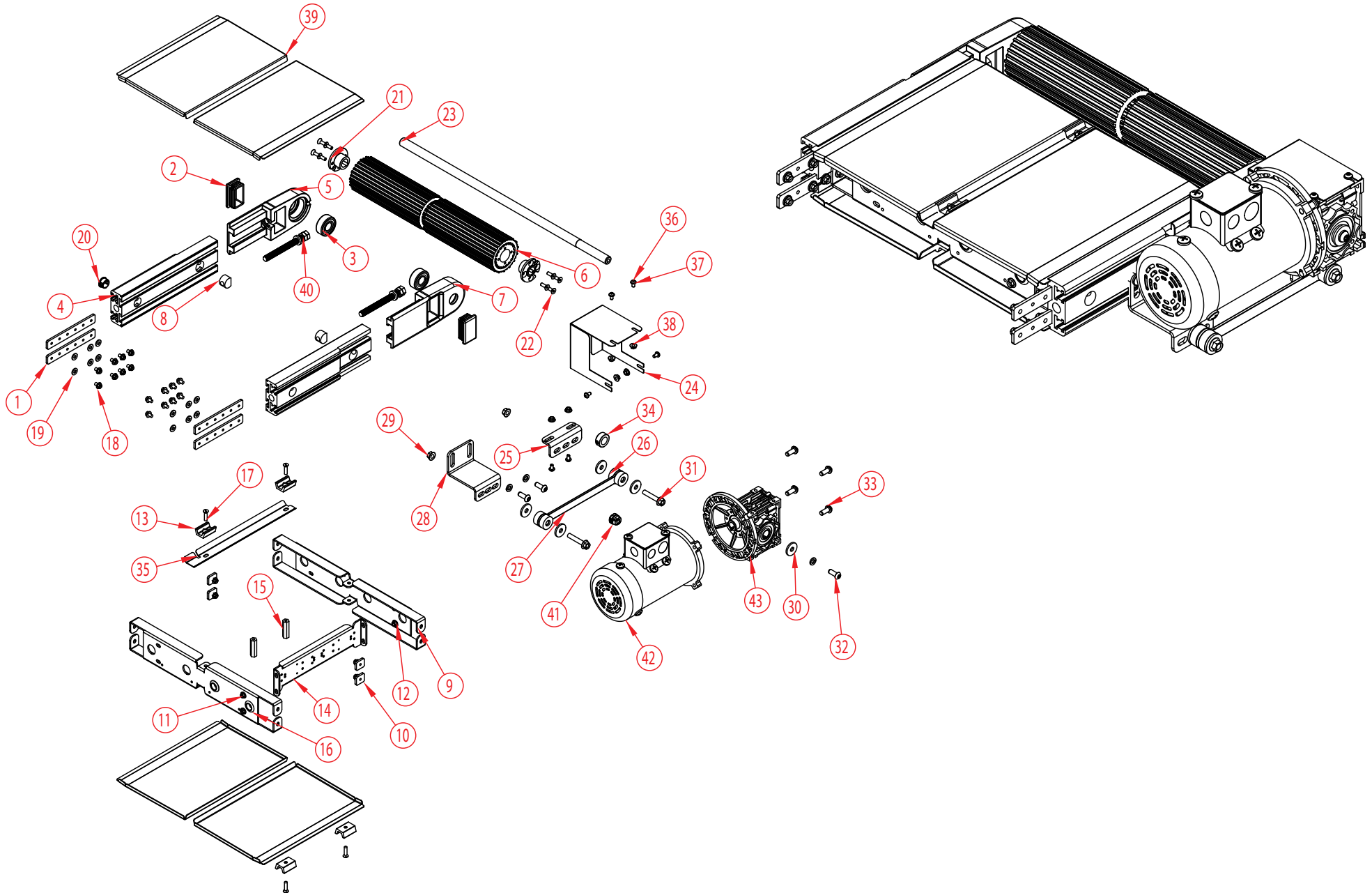


EA Direct Drive - Assembled and Exploded View



Section VIII. Parts Lists and 3-D Drawings

EA Direct Drive - Parts List

	QTY.	PART NO.	DESCRIPTION		QTY.	PART NO.	DESCRIPTION
1	4	2X-27-4	FRAME CONNECTION PLATE	23	1	2X-21-14-W (CF)	DRIVE PULLEY SHAFT
2	2	CP-3532	PLASTIC CAP 1.500x2.500 RECTANGLE	24	1	CZ-08-58	DIRECT DRIVE SHAFT GUARD
3	2	CP-4592	20MM BALL BEARING SELF ALIGNING	25	1	2M-14-28-1	REACTION ROD BRACKET
4	2	2X-44-2-2	FRAME SIDE FOR DRIVE HEAD	26	2	CP-3178	UNIVERSAL MOUNT (NARROW) #60166-4
5	1	2X-14-1-2	TAKE-UP BRACKET FOR EA CONVEYOR	27	1	2M-38-1-950	REACTION ROD
6	1	2X-10-3-W (CF)	DRIVE PULLEY FOR DIRECT DRIVE	28	1	CZ-14-174	REACTION ROD BRACKET
7	1	2X-14-1-3	TAKE-UP BRACKET FOR EA CONVEYOR	29	4	CP-3299	SERRATED FLANGE NUT 0.375-16 BLACK OXIDE
8	2	2X-55-1	TAKE-UP NUT FOR EA CONVEYOR	30	5	CP-3393	3/8" FLAT WASHER
9	2	2X-41-2-W (CF)	FRAME BASE FOR DRIVE HEAD	31	2	CP-3049	HEX SERRATED FLANGE SCREW 0.375-16x2" ZINC PLATED
10	4	2X-27-5-100	INSIDE FRAME NUT	32	7	CP-4534	3/8-16 X 1" BLACK OXIDE TORX BUTTON CAP SCREW
11	4	CP-3067	HEX SERRATED FLANGE SCREW 0.250-20x0.5" ZINC PLATED	33	7	CP-3345	LOCK WASHER .375 SPLIT RING
12	4	CP-3068	HEX FLANGE NUT 0.25-20	34	1	CP-1210	LOCKING COLLAR .750IDx1.250ODx.563TH
13	4	2X-19-1	SLIDE BED RETAINER OR CLAMP	35	1	2X-45-11	SLIDE BED WATER GUARD
14	1	2X-29-1	INSIDE CONTROL SUPPORT	36	6	CP-4536	1/4-20 X 1/2" BLACK OXIDE TORX BUTTON CAP SCREW
15	2	2X-55-3	SLIDE TRAY HOLD DOWN NUT	37	6	CP-3343	LOCK WASHER .250 SPLIT RING
16	2	CP-2376	RUBBER GROMMET	38	6	CP-3297	SERRATED FLANGE NUT 0.25-20 BLACK OXIDE
17	4	CP-259	SLOTTED FLAT HEAD SCREW .250-20 x 1.000	39	4	2X-45-1-W-1300 (CF)	SLIDE BED FOR STANDARD FRAME
18	20	CP-4564	HEX SERRATED FLANGE SCREW 0.250-20x0.375" ZINC PLATED	40	2	2X-232-1	WELDMENT FOR TAKE-UP BOLT
19	12	CP-654	FLAT WASHER .250 SAE	41	2	EL-7245	CORD GRIP
20	1	CP-1240	7/8" GROOVE DIAMETER RUBBER GROMMET	42	1	EL-128B	MOTOR
21	2	2X-14-8	END CAP FOR DIRECT DRIVE PULLEY	43	1	CP-7560	MOTOVARIO GEARBOX NMRV-040-60-56C
22	8	CP-322	HEX SOCKET FLAT HEAD SCREW .250-20 x .750				