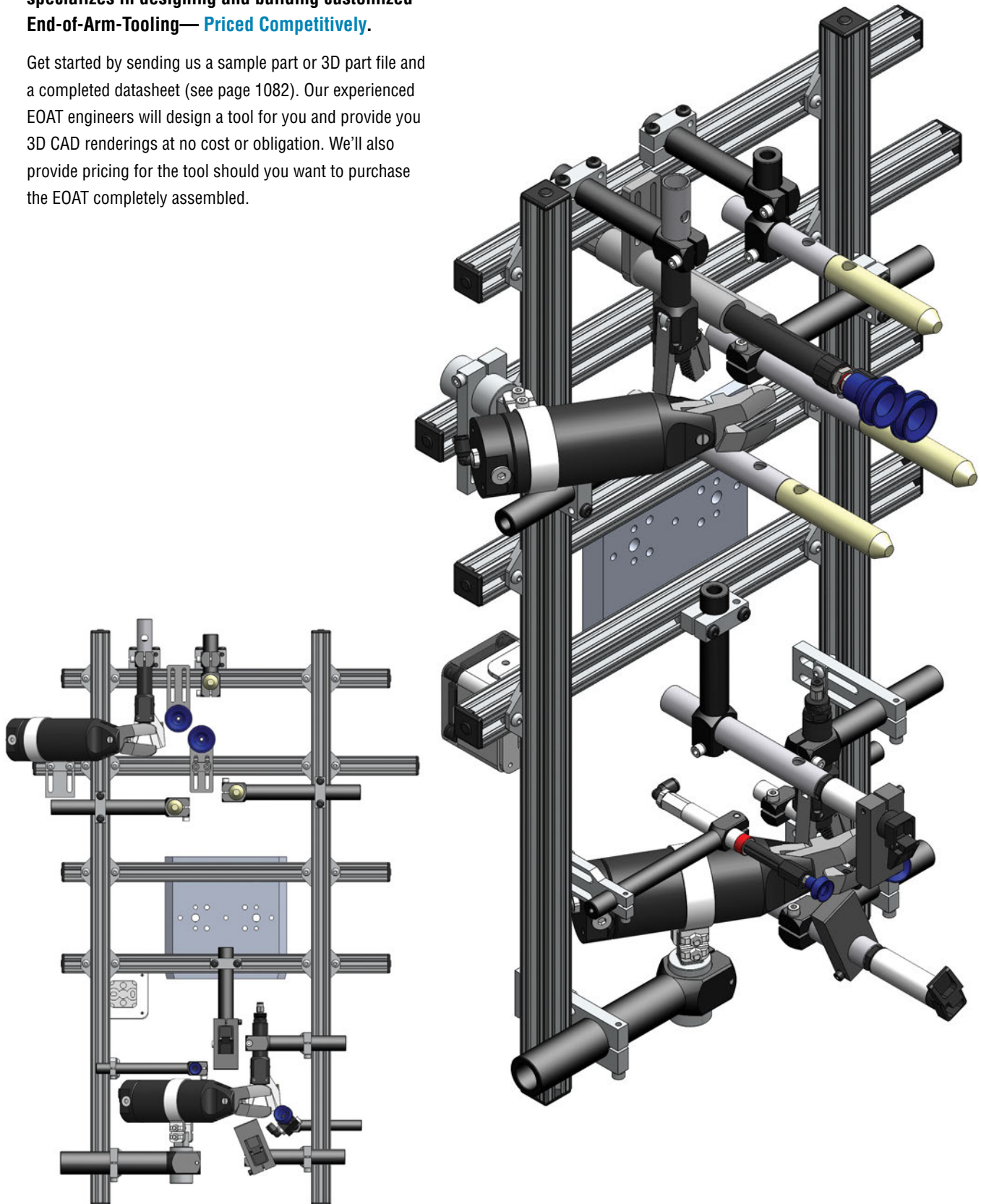


EOAT Design and Build Service

From the simplest to the most complex EOAT, EMI specializes in designing and building customized End-of-Arm-Tooling— **Priced Competitively.**

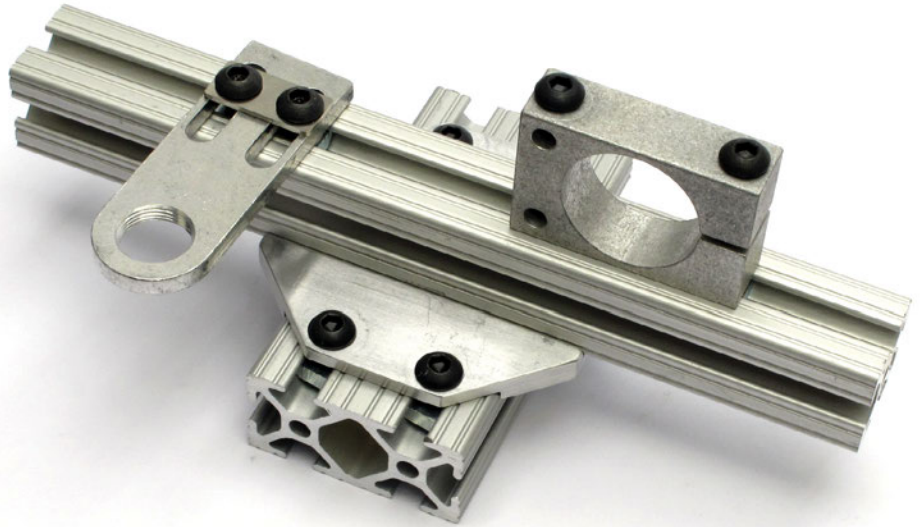
Get started by sending us a sample part or 3D part file and a completed datasheet (see page 1082). Our experienced EOAT engineers will design a tool for you and provide you 3D CAD renderings at no cost or obligation. We'll also provide pricing for the tool should you want to purchase the EOAT completely assembled.



80/20

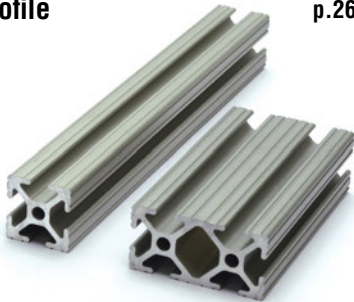
Best of Both Worlds

For those who prefer using 80/20 Inch/Fractional profiles, but also want to mount the wide variety of metric-based Gimatic and >ASS< sprue grippers, gripper fingers, vacuum cup suspensions, etc., EMI provides cross-over brackets, clamps, and connectors. These fasten to 80/20 Inch/Fractional profiles but have metric-sized clamps.



Profile

p.266



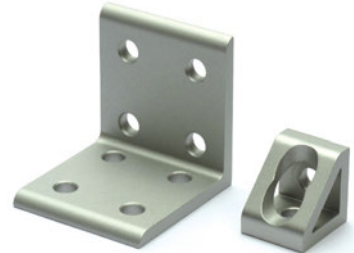
Fasteners

p.267



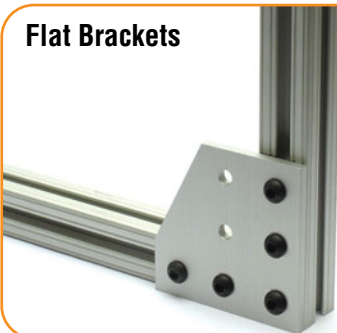
Angle Brackets

p.268



Flat Brackets

p.270



Threaded Brackets

p.272



Thru Hole Brackets

p.273



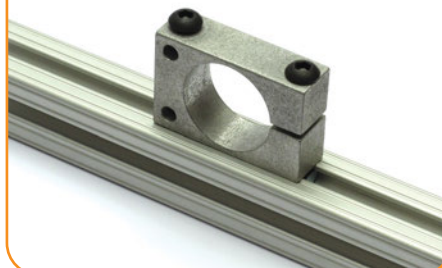
Slotted Long Clamps

p.274



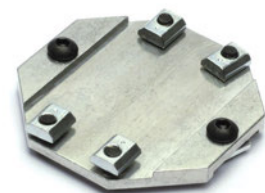
Cross Clamps

p.275



Profile Connectors

p.276



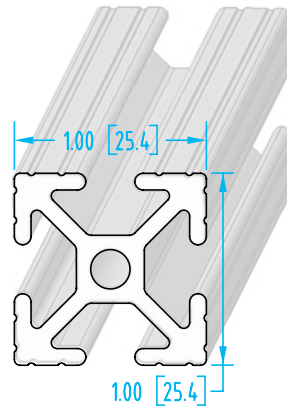
80/20 Profile

(Dimensioned drawings shown full scale)
Dimensioned drawings shown in Inches & (mm).

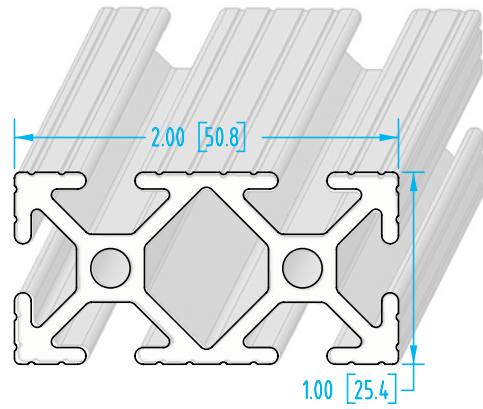
Save on Shipping Costs!

Order 39.5" profiles to save on shipping costs. (79" profiles ship UPS oversized and will cost approximately 2½ times as much to ship compared to 39.5" profiles.)

#4990 & #4991



#4992 & #4993

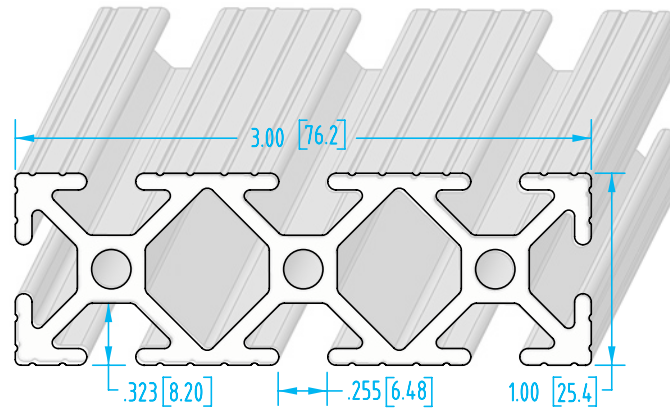


Slotted Aluminum Profile

Quick#	Part#	Size	Wt.	Price
4990	GCP-8020-1010-1M	1" x 1" x 39.5"	739g	\$15.31
4991	GCP-8020-1010-2M	1" x 1" x 79.0"	1478g	\$27.79
4992	GCP-8020-1020-1M	1" x 2" x 39.5"	1399g	\$24.11
4993	GCP-8020-1020-2M	1" x 2" x 79.0"	2798g	\$45.17
4994	GSP-8020-1030-2M	1" x 3" x 79.0"	3813g	\$60.97

Use Quick#s for easy online ordering.

#4994



Profile End Caps

Quick#	Part#	Size	Price (each)
4925	GSC-8020-2015	1010 End Cap	\$1.36
4926	GSC-8020-2025	1020 End Cap	\$1.75
4927	GSC-8020-2026	1030 End Cap	\$1.91



Double (M6) T-Nut Options for Eoat Brackets

Quick#	Part#	Description	Hole Spacing	Quantity	Price
4929	GSC-8020-4929	M6 Double T-Nut (25mm long)	15mm	Individually (E)	CALL OR CLICK Q# FOR PRICE
4930	GSC-8020-4930	M6 Double T-Nut (30mm long)	20mm	Individually (E)	
4931	GSC-8020-4931	M6 Double T-Nut (35mm long)	25mm	Individually (E)	
4932	GSC-8020-4932	M6 Double T-Nut (40mm long)	30mm	Individually (E)	
4933	GSC-8020-4933	M6 Double T-Nut (50mm long)	40mm	Individually (E)	



80/20 Single M5 T-Nut Options

Quick#	4951	
Part#	GSE-8020-4951	
Description	M5 T-Nut	
Price	\$32.50	
Quantity	25 pack (S)	
Quick#	4919	
Part#	GSC-8020-3875	
Description	M5 Roll In T-Nut	
Price	\$2.26	
Quantity	Individually (E)	

80/20 Screws










Quick#	Part#	Description	Price (25 Packs)
4949	GSC-8020-4949	1/4"-20 x 1/2 BHSCS	\$7.50
4939	GSC-8020-4939	M5 x 10mm BHSCS	\$11.25
4940	GSC-8020-4940	M5 x 12mm BHSCS	\$11.50
4941	GSC-8020-4941	M6 x 10mm BHSCS	\$9.50
4942	GSC-8020-4942	M6 x 12mm BHSCS	\$13.50
4943	GSC-8020-4943	M6 x 14mm BHSCS	\$14.50
4944	GSC-8020-4944	M6 x 16mm BHSCS	\$14.00
4945	GSC-8020-4945	M6 x 18mm BHSCS	\$14.50
4946	GSC-8020-4946	M6 x 20mm BHSCS	\$14.50













Note: (E) = Economy (S)= Standard

80/20 Fasteners

SINGLE FASTENER OPTIONS FOR 80/20 FLAT AND ANGLE BRACKETS

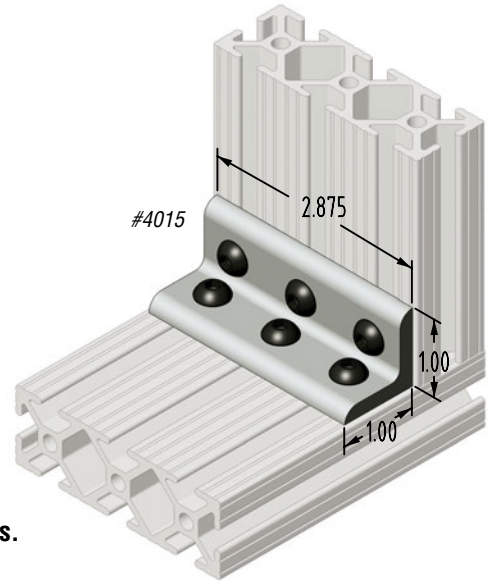
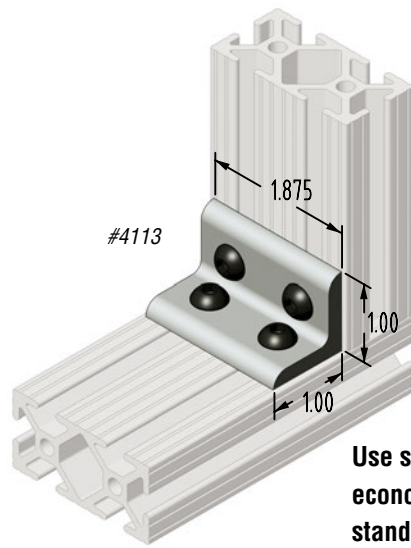
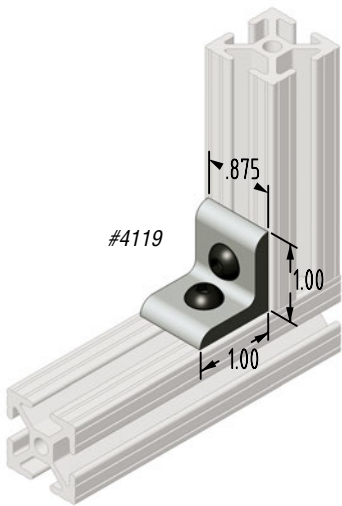
M6 Metric Fastener Options					1/4" -20 Inch Fastener Options				
A = Screw		B = Nut		A + B	A = Screw		B = Nut		A + B
Quick#	4942		4948	4936	4949		4947		4934
Part#	GSE-8020-4942		GSE-8020-4948	GSE-8020-4936	GSE-8020-4949		GSE-8020-4947		GSE-8020-4934
Description	M6 x 12		M6 T-Nut	Combo	1/4"-20 x 1/2"		1/4"-20 T-Nut		Combo
Price	\$13.50		\$9.25	\$19.50	\$7.50		\$7.00		\$14.50
Quantity	25 pack		25 pack (E)	25 pack	25 pack		25 pack (E)		25 pack
Quick#	4942		4928	4937					
Part#	GSE-8020-4942		GSE-8020-4928	GSE-8020-4937					
Description	M6 x 12		M6 T-Nut	Combo					
Price	\$13.50		\$10.75	\$22.75					
Quantity	25 pack		25 pack (E)	25 pack					
Quick#	4942		4952	4938	4949		4950		4935
Part#	GSE-8020-4942		GSE-8020-4952	GSE-8020-4938	GSE-8020-4949		GSE-8020-4950		GSE-8020-4935
Description	M6 x 12		M6 T-Nut	Combo	1/4"-20 x 1/2"		1/4"-20 T-Nut		Combo
Price	\$13.50		\$32.50	\$44.25	\$7.50		\$26.00		\$33.50
Quantity	25 pack		25 pack (S)	25 pack	25 pack		25 pack (S)		25 pack
Quick#	4942		4920	n/a					
Part#	GSE-8020-4942		GSE-8020-4920						
Description	M6 x 12		M6 Roll in T-Nut						
Price	\$13.50		\$2.26						
Quantity	25 pack		Individually						
Quick#	4949		4918	n/a					
Part#	GSE-8020-4949		GSE-8020-4918						
Description	1/4"-20 x 1/2"		1/4"-20 Roll In T-Nut						
Price	\$7.50		\$2.19						
Quantity	25 pack		Individually						

DOUBLE & TRIPLE FASTENER OPTIONS FOR 80/20 FLAT AND ANGLE BRACKETS

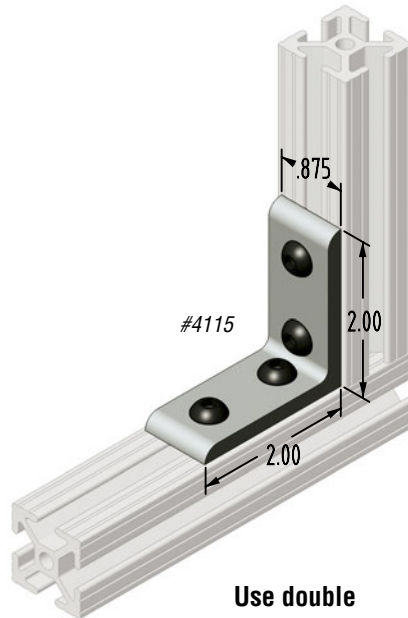
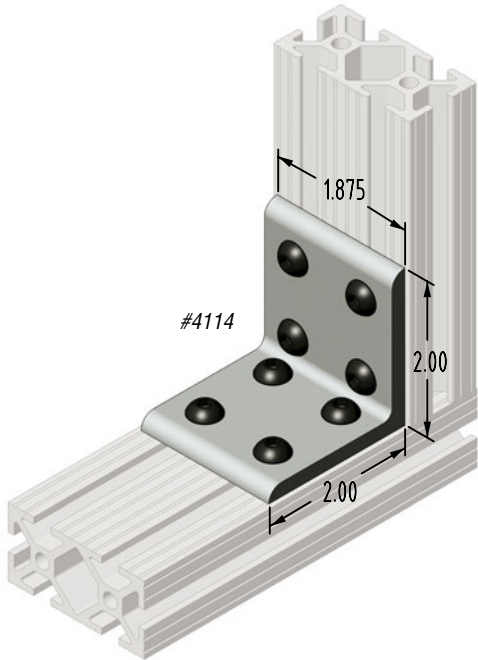
M6 Metric Fastener Options					1/4" -20 Inch Fastener Options				
Screw		Nut			Screw		Nut		
Quick#	4942		4912		4949		4911		
Part#	GSE-8020-4942		GSE-8020-4912		GSE-8020-4949		GSE-8020-4911		
Description	M6 x 12		M6 Double T-Nut		1/4"-20 x 1/2"		1/4"-20 Double T-Nut		
Price	\$13.50		\$0.70		\$7.50		\$0.90		
Quantity	25 pack		Individually (E)	25 pack		Individually (E)			
Quick#	4942		4914		4949		4913		
Part#	GSE-8020-4942		GSE-8020-4914		GSE-8020-4949		GSE-8020-4913		
Description	M6 x 12		M6 Triple T-Nut		1/4"-20 x 1/2"		1/4"-20 Triple T-Nut		
Price	\$13.50		\$1.09		\$7.50		\$1.04		
Quantity	25 pack		Individually (E)	25 pack		Individually (E)			
Quick#	4942		4931						
Part#	GSE-8020-4942		GSE-8020-4931						
Description	M6 x 12		M6 Double T-Nut						
Price	\$13.50		CALL						
Quantity	25 pack		Individually (E)						

Note: (E) = Economy (S) = Standard

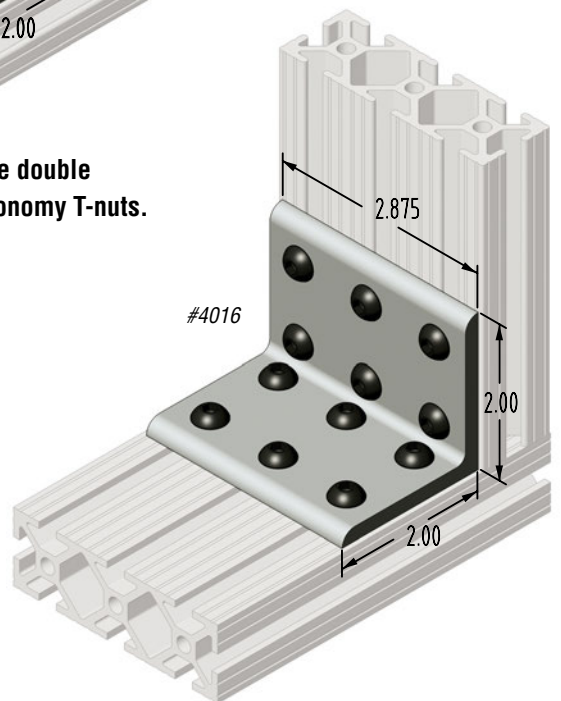
80/20 Angle Brackets



Use single economy or standard T-nuts.



Use double economy T-nuts.

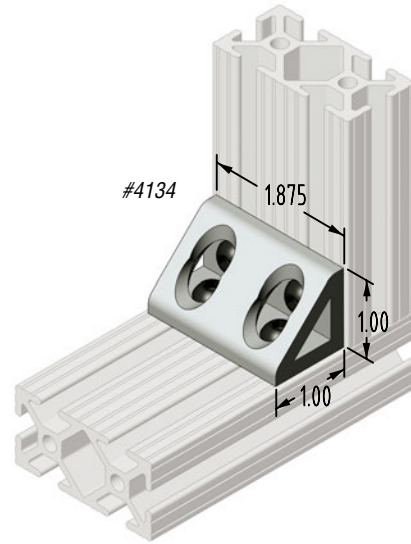


Order fasteners separately.

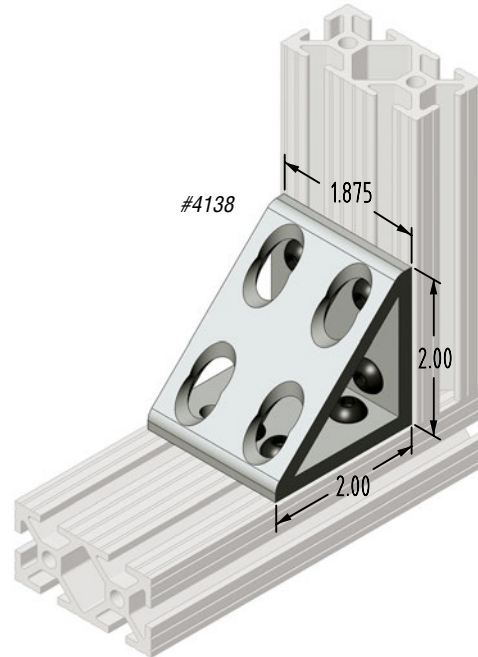
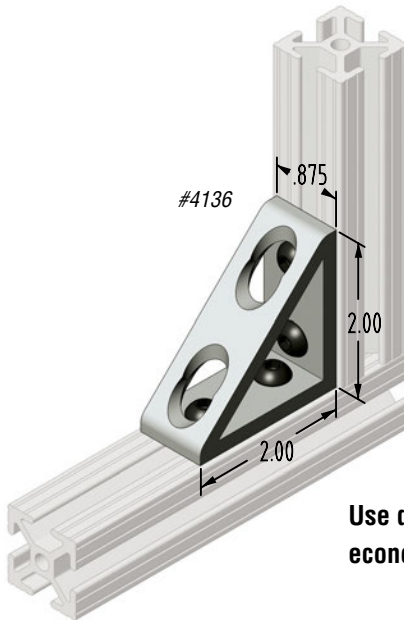
Quick#	Part#	Inch fasteners	Metric fasteners	Wt.	Price
4015	GSC-8020-4015	1/4-20 x 1/2"	M6 x 12mm	39g	\$6.88
4016	GSC-8020-4016	1/4-20 x 1/2"	M6 x 12mm	79g	\$8.72
4113	GSC-8020-4113	1/4-20 x 1/2"	M6 x 12mm	25g	\$5.36
4114	GSC-8020-4114	1/4-20 x 1/2"	M6 x 12mm	54g	\$7.06
4115	GSC-8020-4115	1/4-20 x 1/2"	M6 x 12mm	25g	\$5.36
4119	GSC-8020-4119	1/4-20 x 1/2"	M6 x 12mm	11g	\$3.85

All brackets on this page are 3/16" thick. Additional Bracket Styles Available, Call EMI

80/20 Angle Brackets



Use single economy or standard T-nuts.



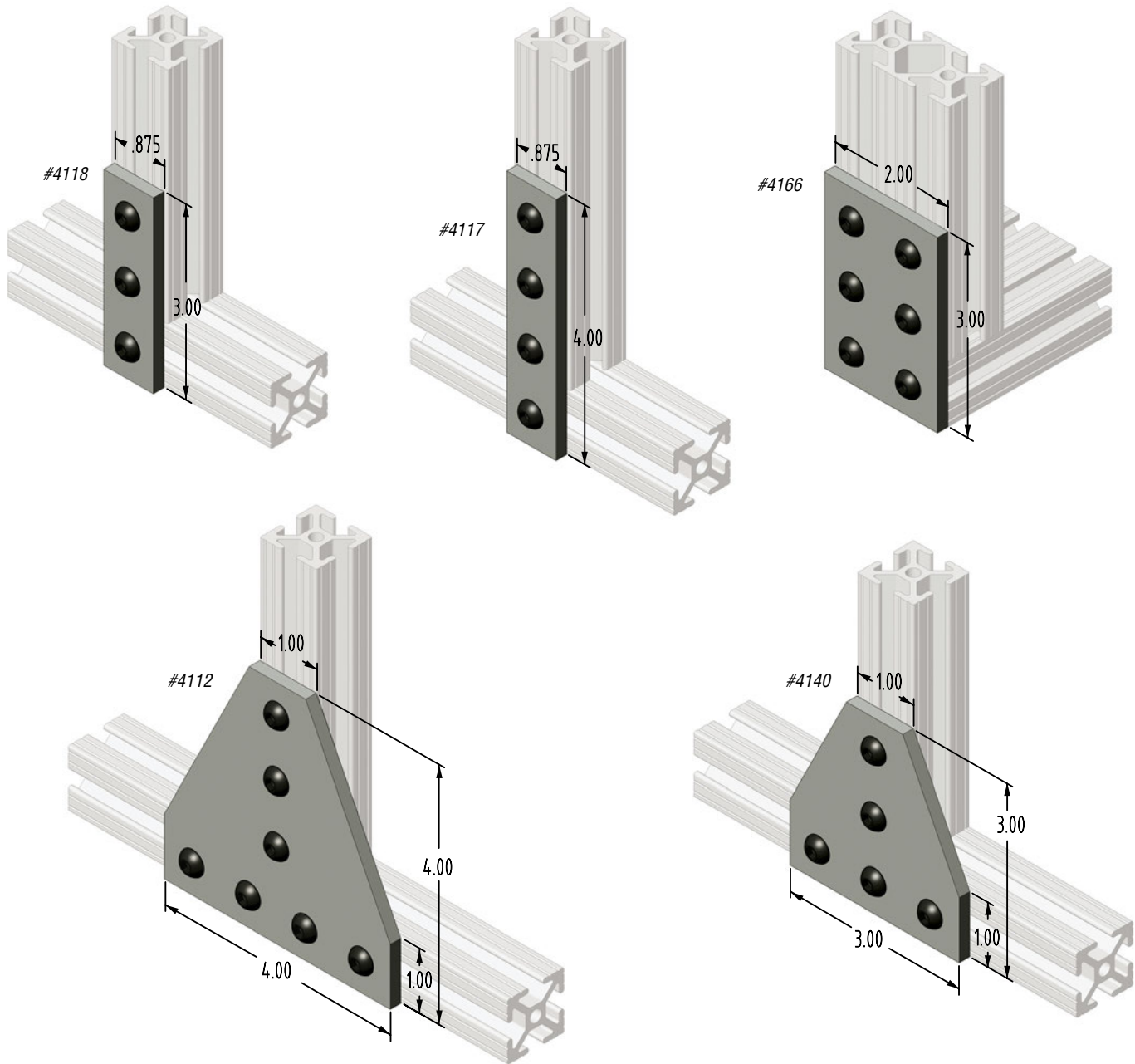
Use double economy T-nuts.

Order fasteners separately.

Quick#	Part#	Inch fasteners	Metric fasteners	Wt.	Price
4132	GSC-8020-4132	1/4"-20 x 1/2"	M6 x 12mm	19g	\$5.22
4134	GSC-8020-4134	1/4"-20 x 1/2"	M6 x 12mm	37g	\$7.48
4136	GSC-8020-4136	1/4"-20 x 1/2"	M6 x 12mm	42g	\$7.48
4138	GSC-8020-4138	1/4"-20 x 1/2"	M6 x 12mm	83g	\$9.84

All brackets on this page are 3/16" thick. Additional Bracket Styles Available, Call EMI

80/20 Flat Brackets

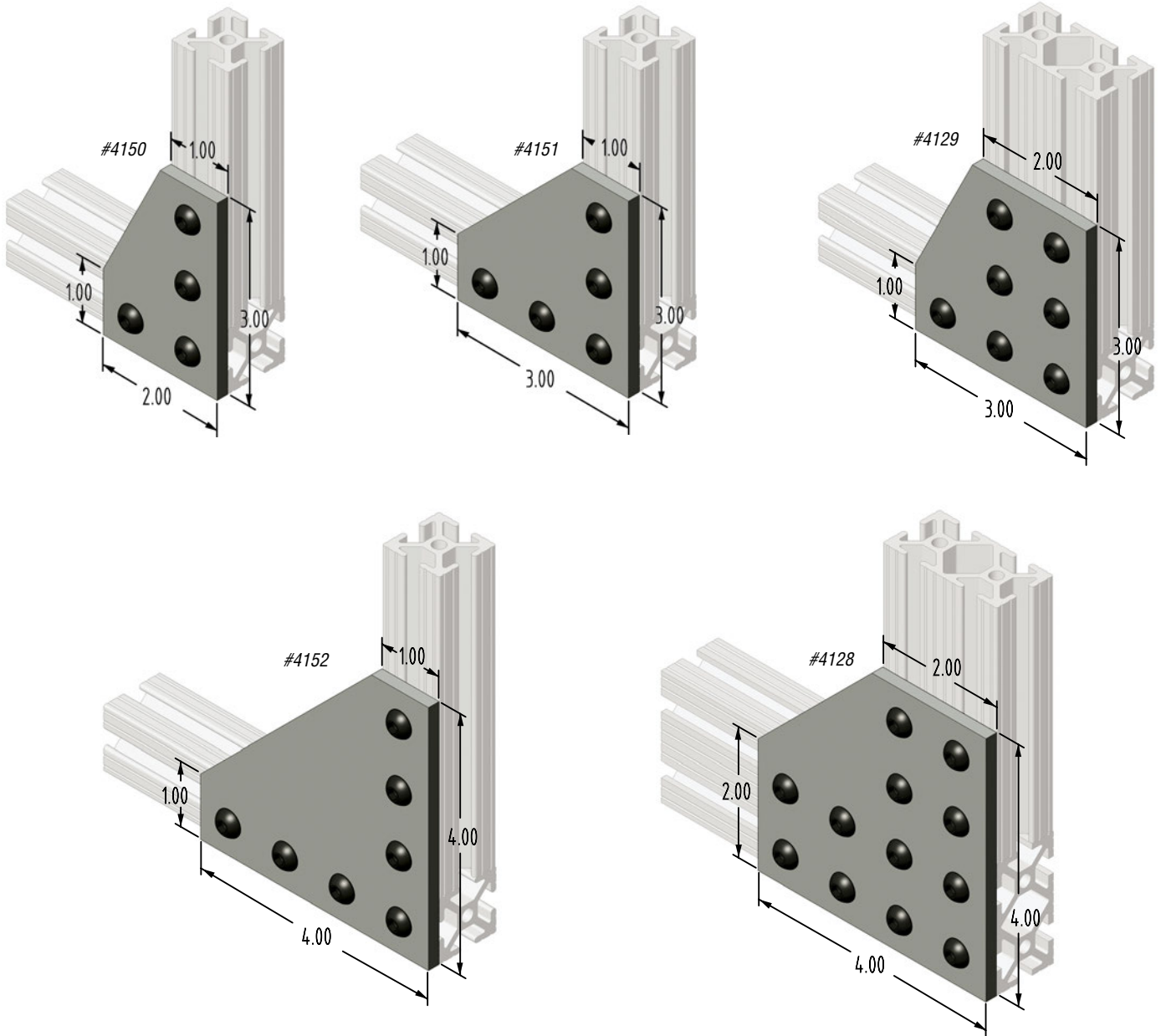


Order fasteners separately.

Quick#	Part#	Inch fasteners	Metric fasteners	Wt.	Price
4112	GSC-8020-4112	1/4"-20 x 1/2"	M6 x 12mm	91g	\$10.77
4117	GSC-8020-4117	1/4"-20 x 1/2"	M6 x 12mm	27g	\$6.34
4118	GSC-8020-4118	1/4"-20 x 1/2"	M6 x 12mm	20g	\$5.69
4140	GSC-8020-4140	1/4"-20 x 1/2"	M6 x 12mm	54g	\$8.98
4166	GSC-8020-4166	1/4"-20 x 1/2"	M6 x 12mm	48g	\$7.14
4167	GSC-8020-4167	1/4"-20 x 1/2"	M6 x 12mm	50g	\$6.34

All brackets on this page are 3/16" thick. Additional Bracket Styles Available, Call EMI Quick# 4167 is a square bracket (2"x2") with 4 holes.

80/20 Flat Brackets



Order fasteners separately.

Quick#	Part#	Inch fasteners	Metric fasteners	Wt.	Price
4128	GSC-8020-4128	1/4"-20 x 1/2"	M6 x 12mm	109g	\$14.26
4129	GSC-8020-4129	1/4"-20 x 1/2"	M6 x 12mm	61g	\$9.51
4150	GSC-8020-4150	1/4"-20 x 1/2"	M6 x 12mm	41g	\$6.74
4151	GSC-8020-4151	1/4"-20 x 1/2"	M6 x 12mm	57g	\$8.33
4152	GSC-8020-4152	1/4"-20 x 1/2"	M6 x 12mm	91g	\$10.11

All brackets on this page are 3/16" thick. Additional Bracket Styles Available, Call EMI

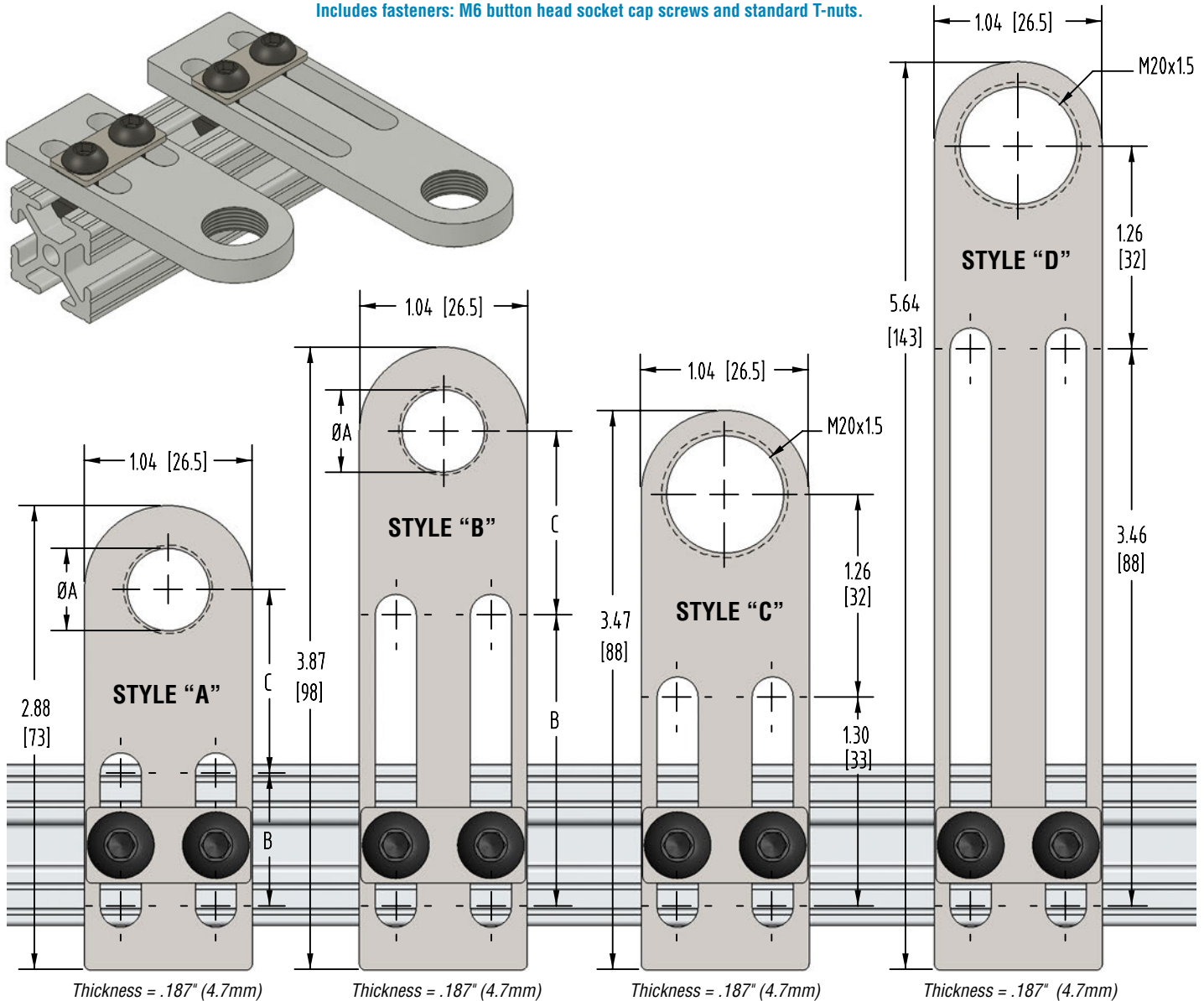
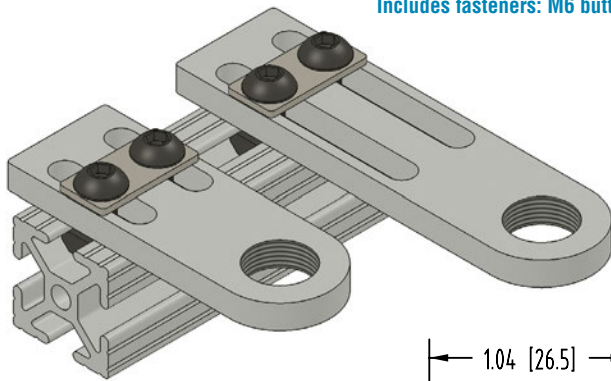
Threaded Brackets for 80/20

(Dimensioned drawings shown full scale)
Dimensioned drawings shown in Inches & (mm).

Threaded Mounting Brackets

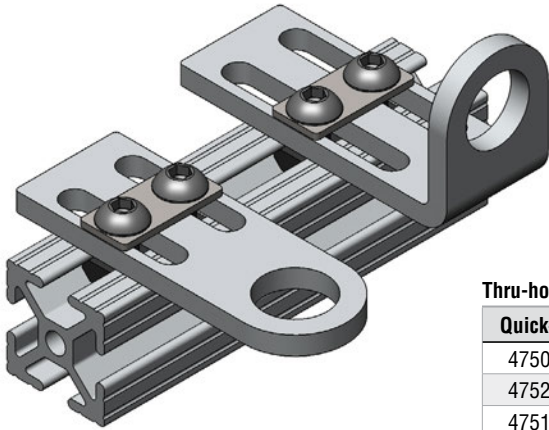
Quick#	Part#	Thread "A"	B	C	Length	Style	Weight	Price
4730	GSC-8020-4730	Solid	20mm	-	Short	A	45g	\$11.21
4731	GSC-8020-4731	Solid	40mm	-	Long	B	52g	\$12.29
4732	GSC-8020-4732	M5	28mm	22mm	Short	A	43g	\$11.21
4733	GSC-8020-4733	M5	53mm	22mm	Long	B	49g	\$12.29
4734	GSC-8020-4734	M8	25mm	25mm	Short	A	44g	\$11.21
4735	GSC-8020-4735	M8	49mm	26mm	Long	B	50g	\$12.29
4736	GSC-8020-4736	G1/8"	24mm	26mm	Short	A	44g	\$11.21
4737	GSC-8020-4737	G1/8"	49mm	26mm	Long	B	50g	\$12.29
4738	GSC-8020-4738	M10 x 1	25mm	25mm	Short	A	44g	\$11.21
4739	GSC-8020-4739	M10 x 1	50mm	25mm	Long	B	49g	\$12.29
4740	GSC-8020-4740	M14 x 1	21mm	29mm	Short	A	43g	\$11.21
4741	GSC-8020-4741	M14 x 1	46mm	29mm	Long	B	49g	\$12.29
4742	GSC-8020-4742	M16 x 1	20mm	30mm	Short	A	42g	\$11.21
4743	GSC-8020-4743	M16 x 1	45mm	30mm	Long	B	48g	\$12.29
4744	GSC-8020-4744	M20 x 1.5	33mm	32mm	Short	C	45g	\$19.27
4745	GSC-8020-4745	M20 x 1.5	88mm	32mm	Long	D	58g	\$20.49

Includes fasteners: M6 button head socket cap screws and standard T-nuts.



Thru Hole Brackets for 80/20

(Dimensioned drawings shown full scale)
Dimensioned drawings shown in Inches & (mm).

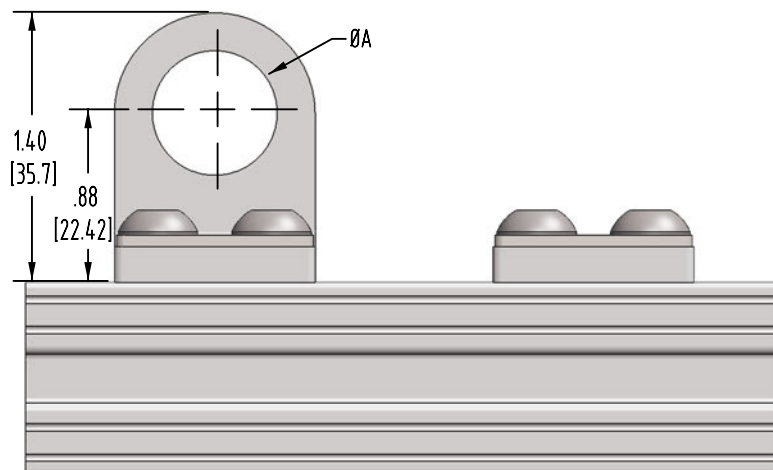
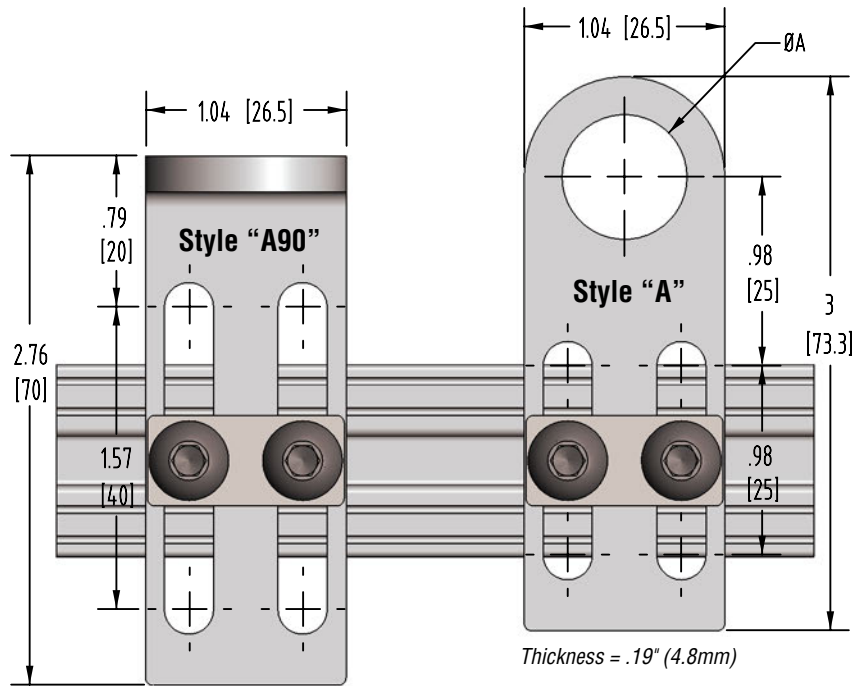


Thru-hole— requires the component being mounted to have two locking nuts.

Thru-hole Stainless Brackets

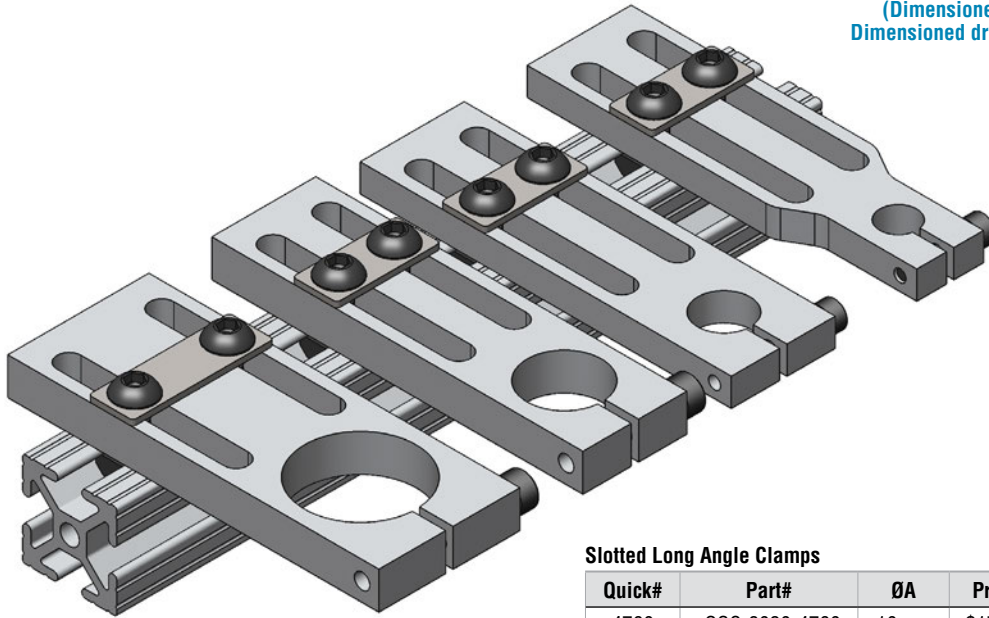
Quick#	Part#	Style	Use with	ØA	Wt.	Price
4750	GSC-8020-4750	A	G1/8", M10	10.5mm	49g	\$7.48
4752	GSC-8020-4752	A	M16	16.5mm	59g	\$8.95
4751	GSC-8020-4751	A90	G1/8", M10	10.5mm	46g	\$7.48
4753	GSC-8020-4753	A90	M16	16.5mm	56g	\$8.95

Includes fasteners: M6 button head socket cap screws and standard T-nuts.



Slotted Long Clamps for 80/20

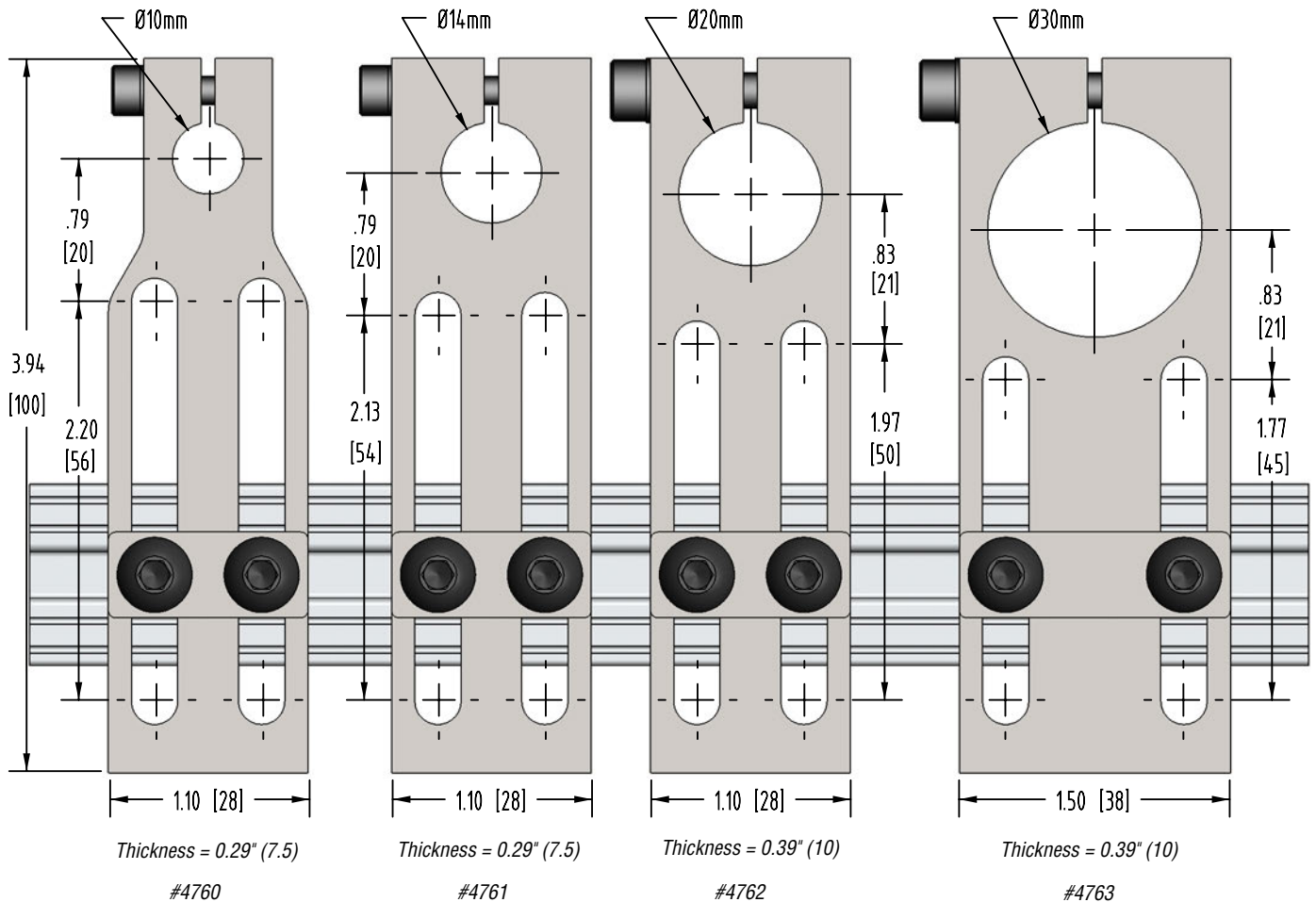
(Dimensioned drawings shown full scale)
Dimensioned drawings shown in Inches & (mm).



Slotted Long Angle Clamps

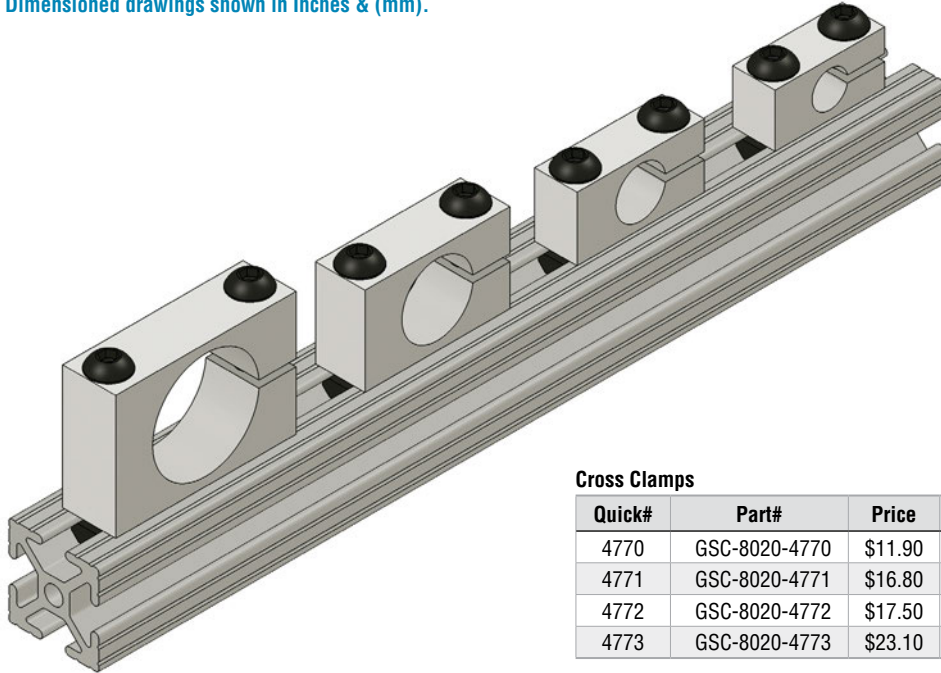
Quick#	Part#	ØA	Price	Wt.
4760	GSC-8020-4760	10mm	\$17.50	55g
4761	GSC-8020-4761	14mm	\$21.90	60g
4762	GSC-8020-4762	20mm	\$23.10	71g
4763	GSC-8020-4763	30mm	\$25.90	92g

Includes fasteners: M6 button head socket cap screws and standard T-nuts.



Cross Clamps for 80/20

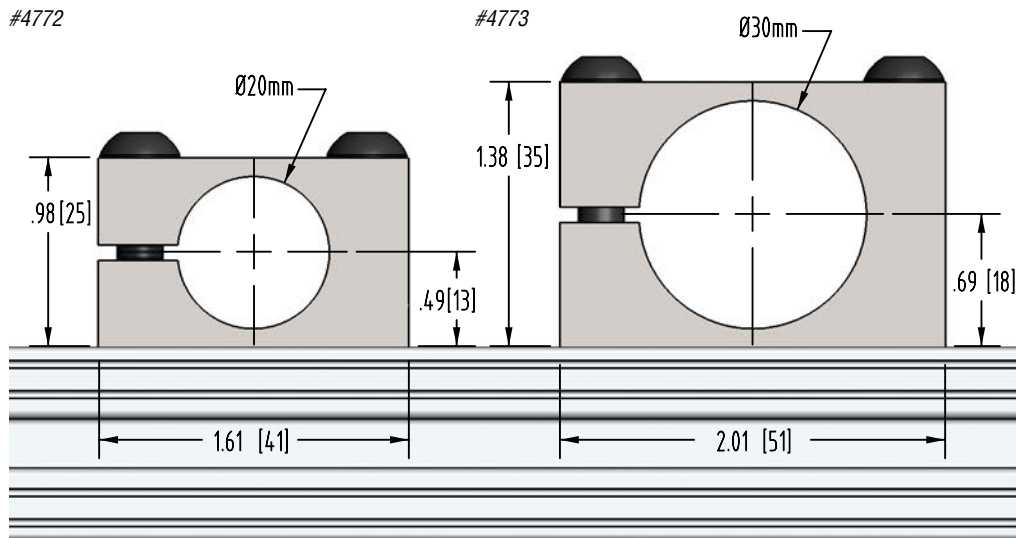
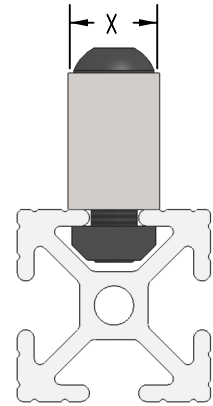
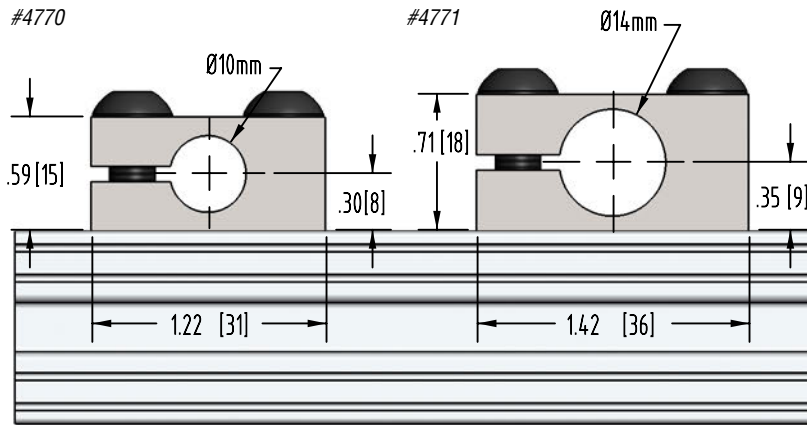
(Dimensioned drawings shown full scale)
Dimensioned drawings shown in Inches & (mm).



Cross Clamps

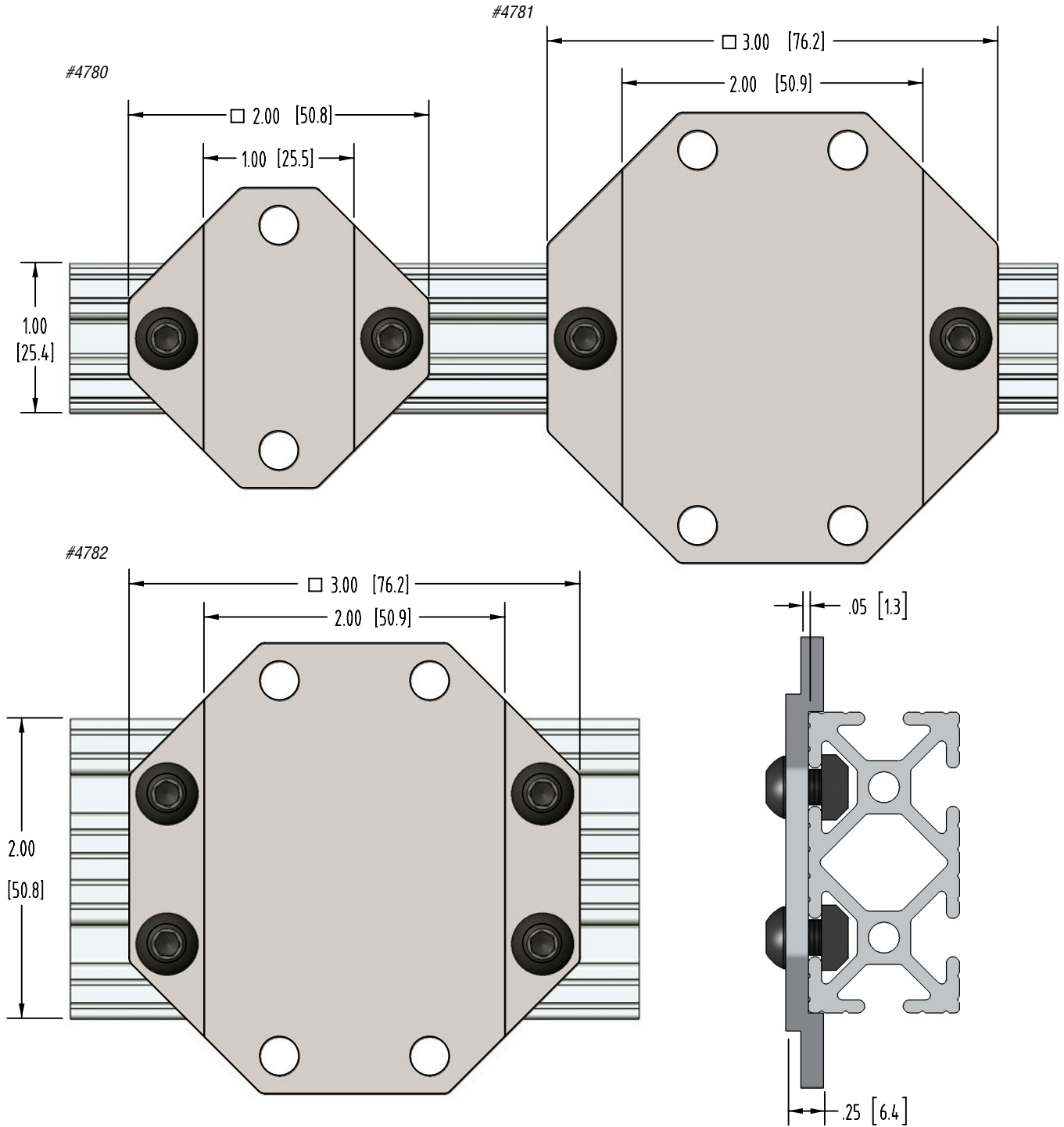
Quick#	Part#	Price	ØA	X (width)	Wt.
4770	GSC-8020-4770	\$11.90	10mm	12mm	29g
4771	GSC-8020-4771	\$16.80	14mm	12mm	33g
4772	GSC-8020-4772	\$17.50	20mm	14mm	46g
4773	GSC-8020-4773	\$23.10	30mm	15mm	65g

Includes fasteners: M6 button head socket cap screws and standard T-nuts.



Profile Connectors for 80/20

(Dimensioned drawings shown full scale)
Dimensioned drawings shown in Inches & (mm).

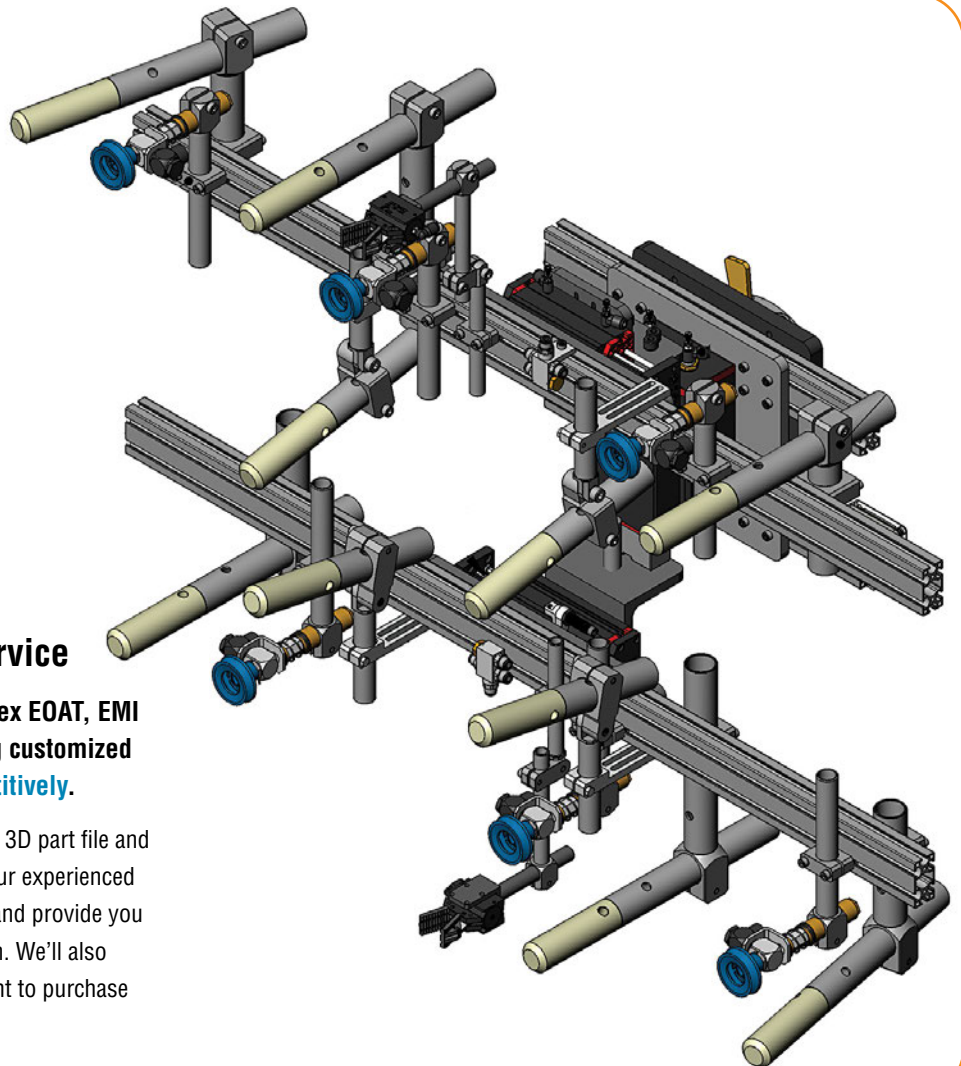
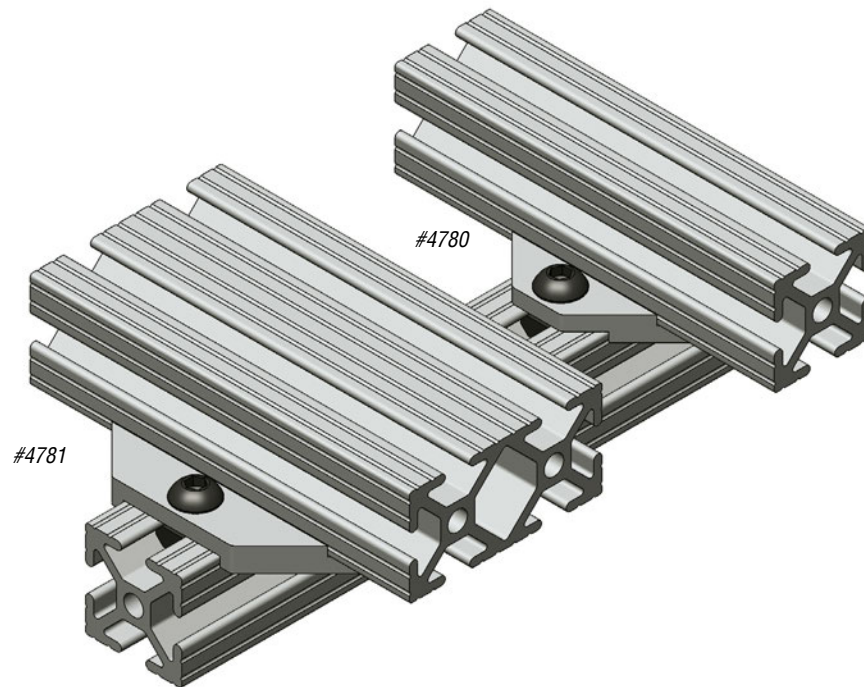


Profile Connector Clamps

Quick#	Part#	Price	Use with	Use with	Wt.
4780	GSC-8020-4780	\$23.85	1010	1010	43g
4781	GSC-8020-4781	\$27.72	1010	1020	85g
4782	GSC-8020-4782	\$27.72	1020	1020	87g

Includes fasteners: M6 button head socket cap screws and standard T-nuts.

Profile Connectors for 80/20



EOAT Design and Build Service

From the simplest to the most complex EOAT, EMI specializes in designing and building customized End-of-Arm-Tooling— **Priced Competitively.**

Get started by sending us a sample part or 3D part file and a completed datasheet (see page 1082). Our experienced EOAT engineers will design a tool for you and provide you 3D CAD renderings at no cost or obligation. We'll also provide pricing for the tool should you want to purchase the EOAT completely assembled.