

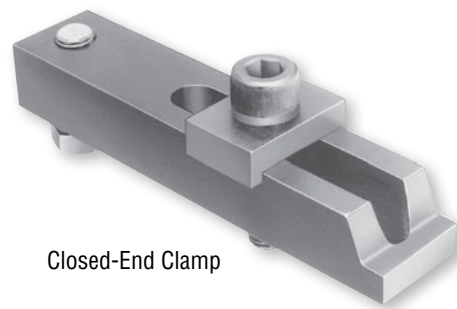
12" Mold Clamps

Through-hardened steel, closed end, socket or oversize hex bolt

EMI's through-hardened steel clamps last longer than less expensive case-hardened clamps. These are easy to install and are adjustable, so that no spacers are required. The washers are extra-large and hardened. Metric thread bolts are available as an option.

12" Machined Mold Clamps: Socket Head Bolt Style

	Description	Quick#	Part#	Price	
	¾" -10 Platen Holes			(1-15)	(16+)
Total Price	Complete Clamp Assembly	M463	87C12C34S	\$78.07	\$75.72
	12" Closed-End Clamp Only	M464	87C12C	\$62.14	\$58.27
	Non-Slip Washer	M450	8734RW	\$9.05	\$9.05
	Socket Head Bolt ¾"-10 x 4½"	M451	8734HA	\$4.03	\$4.03
	Leveling Bolt 1"-8 x 3¼"	M452	872ABA	\$4.33	\$4.33
	1" -8 Platen Holes			(1-15)	(16+)
Total Price	Complete Clamp Assembly	M465	87C12C1S	\$82.43	\$79.95
	12" Closed-End Clamp Only	M464	87C12C	\$62.14	\$58.27
	Non-Slip Washer	M454	871RW	\$9.37	\$9.37
	Socket Head Bolt 1"-8 x 4½"	M455	871H	\$9.52	\$9.52
	Leveling Bolt 1"-8 x 2½"	M452	872ABA	\$4.33	\$4.33
	Options			(1-15)	(16+)
	Swivel-Style Leveling Bolt	M456	871SB	\$21.58	\$21.58
	1"-8 x 5½" Long Platen Bolts SHCH	M457	87-94	\$17.51	\$17.51
	¾"-10 x 5½" Long Platen Bolts SHCH	M447	87-102	\$9.30	\$9.30
Metric Thread Platen Bolt – See page 193					



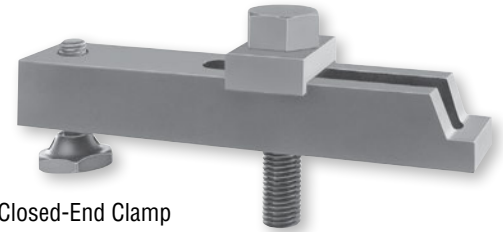
Closed-End Clamp



Options

When ordering, use Quick#s to ensure order accuracy.

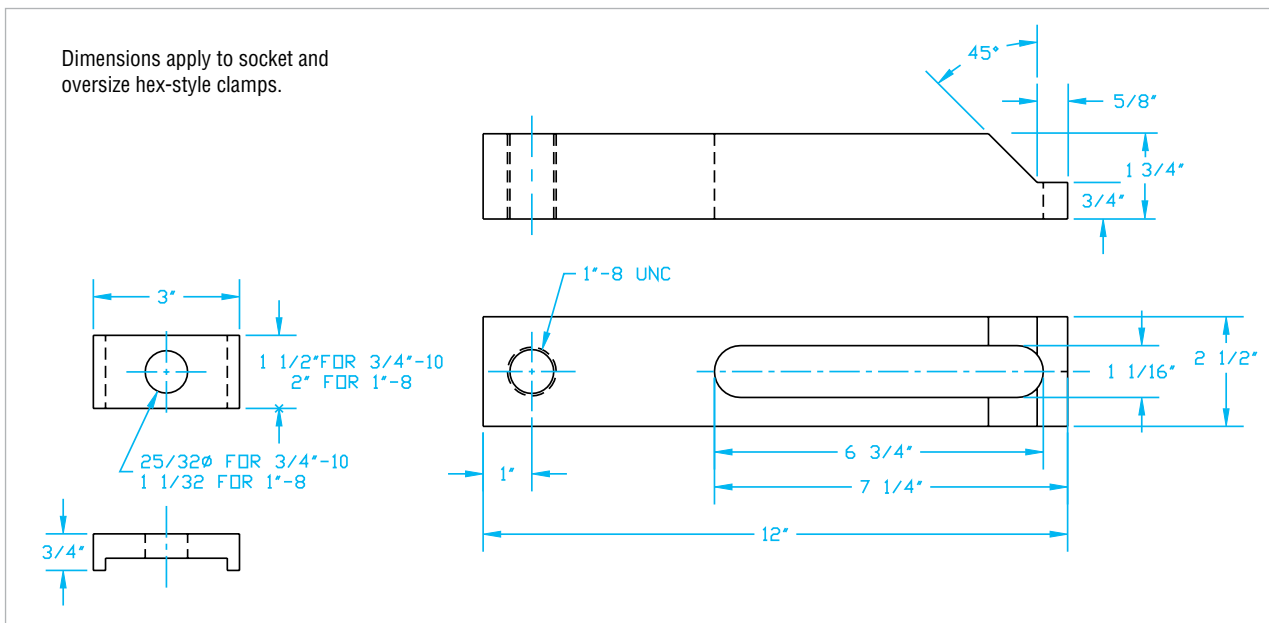
12" Mold Clamps



Closed-End Clamp

12" Machined Mold Clamps: Oversize Hex Head Bolt Style

	Description	Quick#	Part#	Price	
	3/4" -10 Platen Holes			(1-15)	(16+)
Total Price	Complete Clamp Assembly	M466	87C12C34SOS	\$102.93	\$99.84
	12" Closed-End Clamp Only	M464	87C12C	\$62.14	\$58.27
	Non-Slip Washer	M450	8734RW	\$9.05	\$9.05
	Oversize Hex Bolt 3/4"-10 x 4 1/2"	M459	8734OSL	\$10.15	\$10.15
	Swivel Bolt 1"-8 x 3 1/4"	M456	871SB	\$21.58	\$21.58
	1" -8 Platen Holes			(1-15)	(16+)
Total Price	Complete Clamp Assembly	M467	87C12C1SOS	\$108.86	\$105.59
	12" Closed-End Clamp Only	M464	87C12C	\$62.14	\$58.27
	Non-Slip Washer	M454	871RW	\$9.37	\$9.37
	Oversize Hex Bolt 1"-8 x 4 1/2"	M461	871OS	\$15.76	\$15.76
	Swivel Bolt 1"-8 x 3 1/4"	M456	871SB	\$21.58	\$21.58
	Options			(1-15)	(16+)
	Non-Swivel Leveling Bolt	M452	872ABA	\$4.33	\$4.33
	1"-8 x 5 1/2" Long Platen Bolts OSH	M462	871OSL	\$24.73	\$24.73
	3/4"-10 x 5 1/2" Long Platen Bolts OSH	M469	87-103	\$19.11	\$19.11
Metric Thread Platen Bolt – See page 193					



12" Mold Clamps

12" Machined Mold Clamps: Socket Head Bolt Style

Description	Quick#	Part#	Price	
1-1/4" Platen Holes			(1-15)	(16+)
Total Price Complete Clamp Assembly	M470	87C12C125S	\$123.83	\$120.11
12" x 3" Closed-End Clamp Only	M471	87C12X3C	\$83.53	\$77.73
Non-Slip Washer	M472	87125RW	\$13.47	\$13.47
Socket Head Bolt 1 1/4"-7 x 4 1/2"	M473	87125H	\$18.88	\$18.88
Leveling Bolt 1"-8 x 2 1/2"	M452	872ABA	\$4.33	\$4.33
Options			(1-15)	(16+)
Socket Head Bolt 1 1/4"-7 x 5 1/2"	M475	87-105	\$28.57	\$28.57
Metric Thread Platen Bolt - See page 193				

12" Machined Mold Clamps: Oversize Hex Bolt Style

Description	Quick#	Part#	Price	
1-1/4" Platen Holes			(1-15)	(16+)
Total Price Complete Clamp Assembly	M476	87C12C125SOS	\$148.19	\$143.74
12" x 3" Closed-End Clamp Only	M471	87C12X3C	\$83.53	\$77.73
Non-Slip Washer	M472	87125RW	\$13.47	\$13.47
Oversize Hex Bolt 1 1/4"-7 x 4 1/2"	M479	87125OS	\$29.61	\$29.61
Swivel Bolt 1"-8 x 3 1/4"	M456	871SB	\$21.58	\$21.58
Options			(1-15)	(16+)
1 1/4"-7 x 5 1/2" Long Platen Bolts OSH	M481	87-125OSL	\$40.63	\$40.63
Metric Thread Platen Bolt - See page 193				

