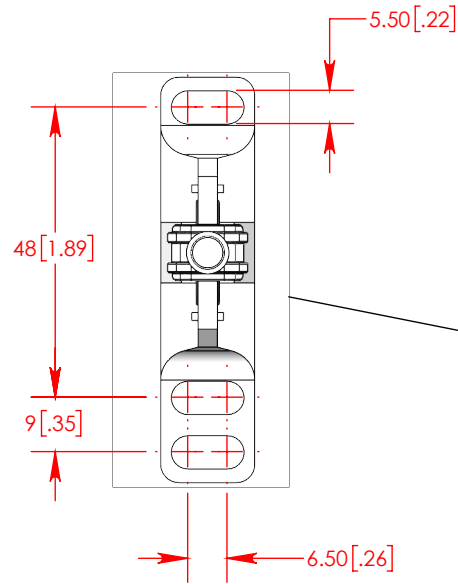


OUTPUT PORT
R1/4" FEMALE THREAD
INCLUDES FITTING FOR 8mm TUBING

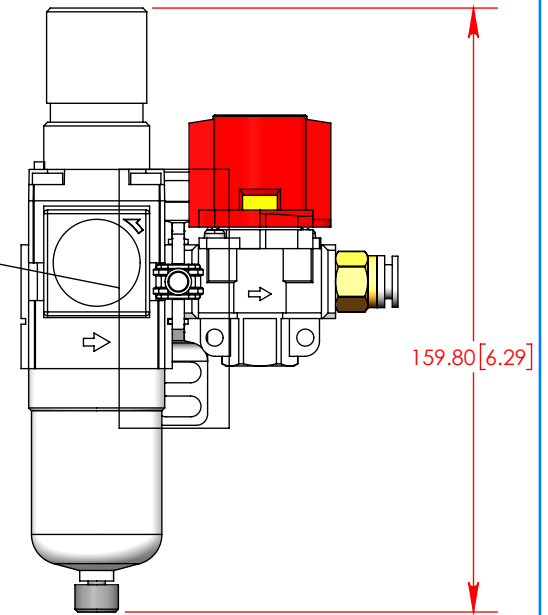
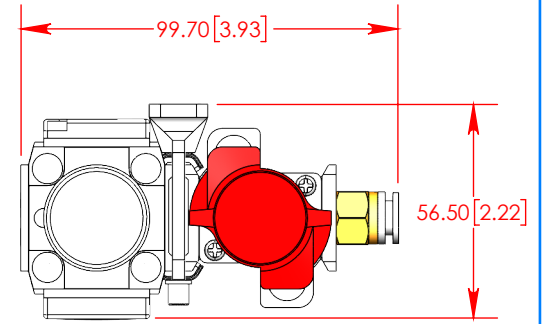
OUTPUT PRESSURE
INDICATOR DIAL

INPUT PORT
R1/4" FEMALE THREAD

DRAIN PLUG



FILTER/REGULAOTR MOUNTING BRACKET
(M5 HARDWARE IS RECOMMENDED)



PART NUMBER/NAME: Q# 2800 - CRA-FR-R14-1

EMI CORP.COM 28300 Euclid Ave, Wickliffe, OH 44092		
APPLICATIONS ENGINEERING		
Title: Filter Regulator (R1/4" Threads) End - Of - Arm - Tooling 3D Design Assistance		
FRONT ISO VIEW	PROJECT: Q# 2800	Rev 0
DIMENSIONS mm[in]	DRAWN BY:	DATE: 2/10/2021
		SCALE: NTS SHEET 1 OF 1