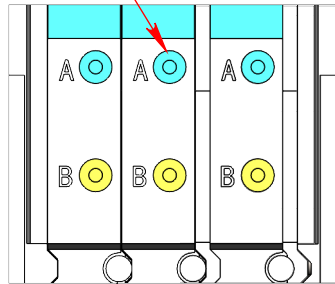
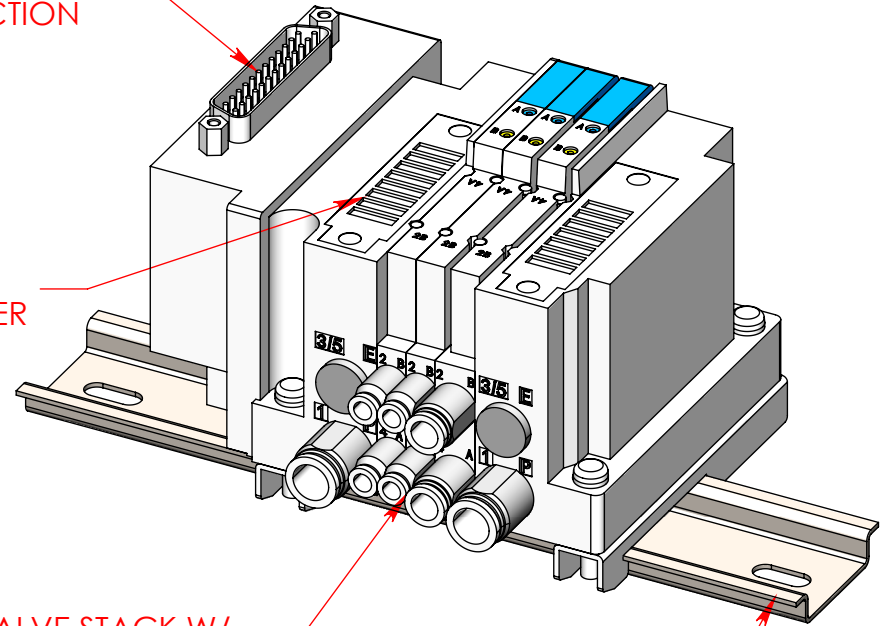


IP40 - 25 PIN D-SUB CONNECTOR WITH ADJUSTABLE DIRECTION

MANUAL OVERRIDE BUTTON

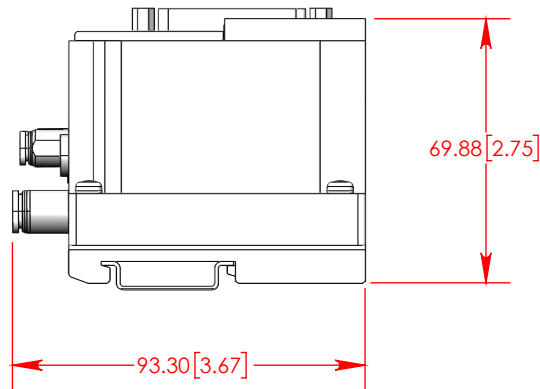
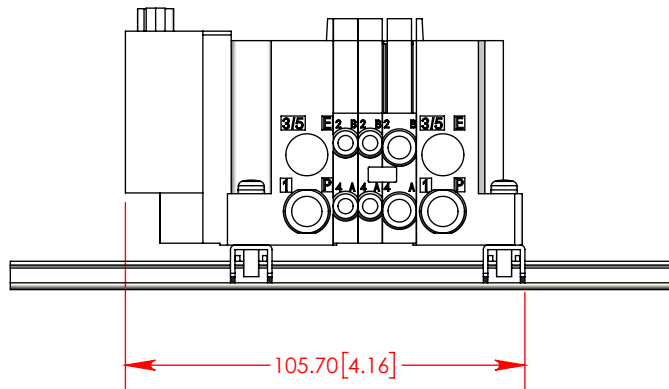
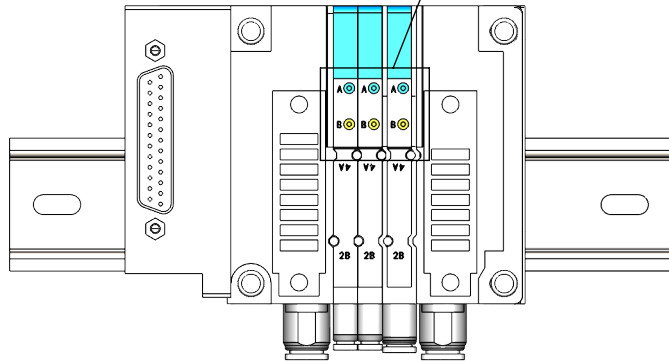


INTEGRATED EXHAUST/SILENCER



3-ZONE VALVE STACK W/ P&E BLOCKING DISKS BETWEEN ZONE 2 AND 3

175mm DIN-RAIL



EMI CORP.COM
28300 Euclid Ave, Wickliffe, OH 44092

APPLICATIONS ENGINEERING

Title: Q# 2802 3-Zone Valve Kit
End - Of - Arm - Tooling 3D Design Assistance

DIMENSIONAL DRAWING

PROJECT: Q# 2802

Rev 0

SCALE: NTS

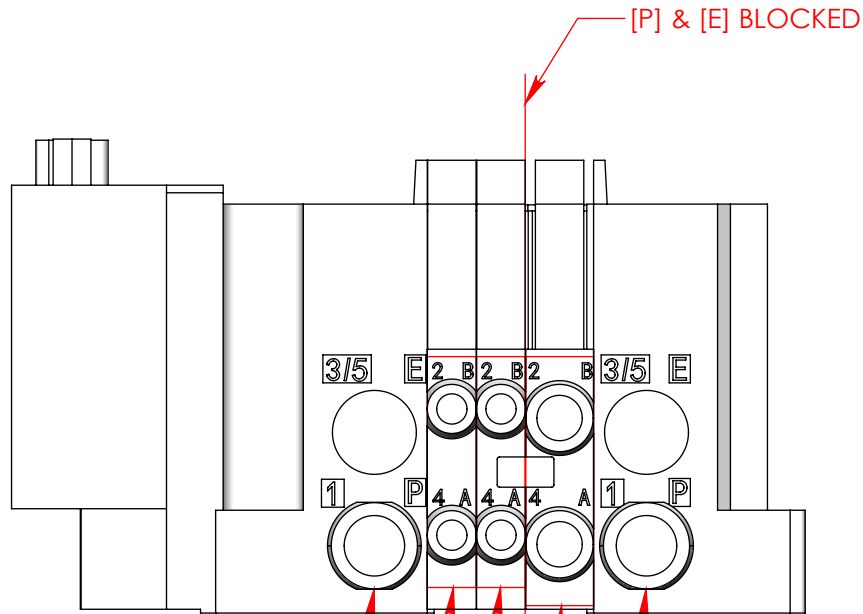
DIMENSIONS mm[in]

DRAWN BY:

DATE: 2/4/2021

SHEET 1 OF 3

PART NUMBER/NAME: Quick# 2802 - CRA-JSY1-P3Z-2



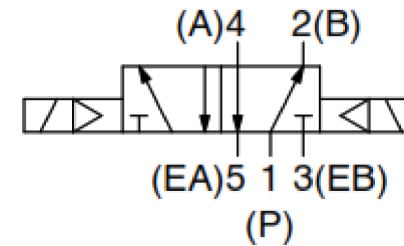
SUPPLY 1: Ø8mm SUPPLY GRIPPER CIRCUITS

ZONE 1 [GRIPPER 1]: 5/2 - Ø4mm OUTPUTS DOUBLE SOLENOID (BISTABLE)

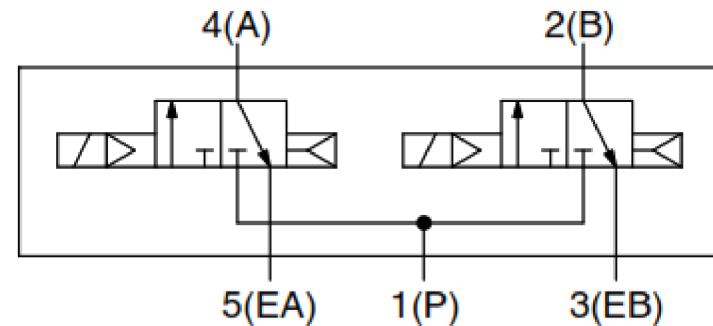
ZONE 2 [GRIPPER 2]: 5/2 - Ø4mm OUTPUTS DOUBLE SOLENOID (BISTABLE)

ZONE 3 [BLOW-OFF]: DUAL 3/2 - Ø6mm OUTPUTS SINGLE SOLENOID (MONOSTABLE) P/E BLOCKED - SEPERATE SUPPLY

SUPPLY 2: Ø8mm SUPPLY BLOW-OFF/ACCESSORY CIRCUIT



ZONE 1 & ZONE 2 - PNEUMATIC DIAGRAM FOR GRIPPERS
5 PORT/2 POSITION, DOUBLE SOLENOID (BISTABLE) VALVE



ZONE 3 - PNEUMATIC DIAGRAM FOR BLOW-OFF(S)
DUAL 3 PORT/2 POSITION, N.C. SINGLE SOLENOID (MONOSTABLE) VALVE
(COMBINED: 5 PORT/4 POSITION, DOUBLE SOLENOID)

EMI CORP.COM
28300 Euclid Ave, Wickliffe, OH 44092

APPLICATIONS ENGINEERING

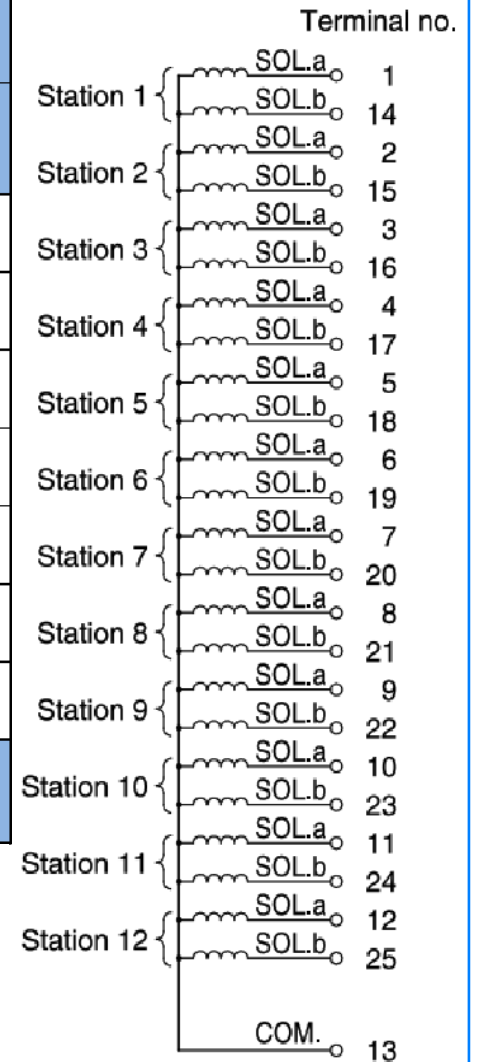
Title: Q# 2802 3-Zone Valve Kit
End - Of - Arm - Tooling 3D Design Assistance

| | | | |
|-------------------|-------------------|----------------|--------------|
| VALVE FUNCTION | PROJECT: Q# 2802 | Rev 0 | SCALE: NTS |
| DIMENSIONS mm[in] | DRAWN BY: CRooney | DATE: 2/4/2021 | SHEET 2 OF 3 |

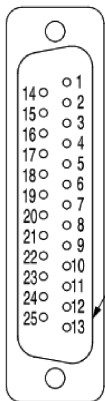
3-Zone Valve Wiring Diagram

| | Lead Wire Color & Dot/Tracker Marking | Terminal No. | Function |
|--------|---------------------------------------|--------------|--|
| Zone 1 | Black | 1 (Sol. A) | Gripper 1 - CLOSED (24Vdc, Momentary Signal) |
| | Yellow/Black | 14 (Sol. B) | Gripper 1 - OPEN (24Vdc, Momentary Signal) |
| Zone 2 | Brown | 2 (Sol. A) | Gripper 2 - CLOSED (24Vdc, Momentary Signal) |
| | Pink/Black | 15 (Sol. B) | Gripper 2 - OPEN (24Vdc, Momentary Signal) |
| Zone 3 | Red | 3 (Sol. A) | Blow-off 1 - ON (24Vdc, Maintained Signal) |
| | Blue/White | 16 (Sol. B) | Blow-off 2 - ON (24Vdc, Maintained Signal) |
| COM. | Orange/Red | 13 | 0Vdc - Negative Common |

Quick #2802 (P/N: CRA-JSY1-P3Z-2)

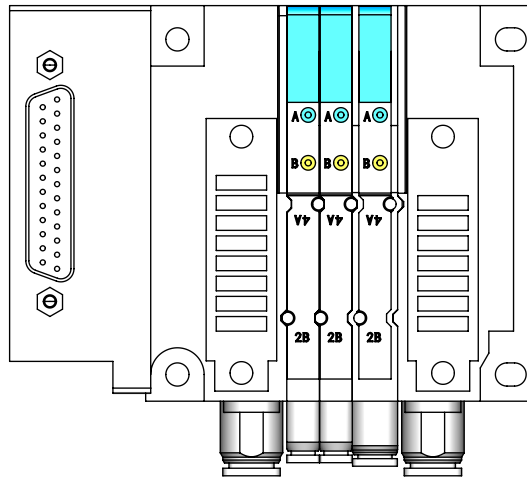
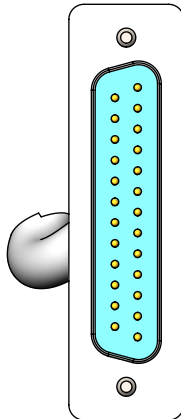


D-sub connector



If alignment is not specified, the internal wiring is double wiring (connected to SOL. a and SOL. b) regardless of number of stations, valve and option types.

Connector terminal no.



EMI CORP.COM
28300 Euclid Ave, Wickliffe, OH 44092

APPLICATIONS ENGINEERING

Title: Q# 2802 3-Zone Valve Kit
End - Of - Arm - Tooling 3D Design Assistance

| | | | |
|-------------------|-------------------|----------------|--------------|
| WIRE DIAGRAM | PROJECT: Q# 2802 | Rev 0 | SCALE: NTS |
| DIMENSIONS mm[in] | DRAWN BY: CRooney | DATE: 2/4/2021 | SHEET 3 OF 3 |