

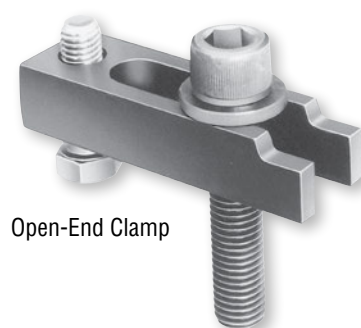
## 5" Mold Clamps

### Through-hardened steel, open or closed end, socket or oversize hex bolt

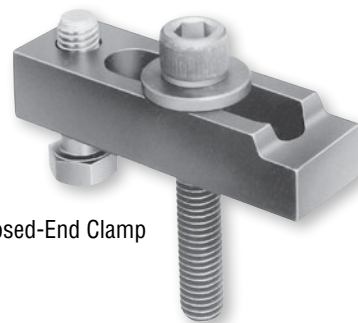
EMI's through-hardened steel clamps last longer than less expensive case-hardened clamps. These are easy to install and are adjustable, so that no spacers are required. The washers are extra-large and hardened. Metric thread bolts are available as an option.

#### 5" Machined Mold Clamps: Socket Head Bolt Style

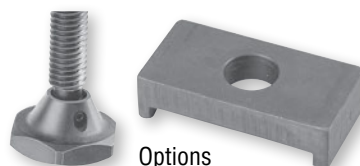
	Description	Quick#	Part#	Price	
	<b>¾" -10 Platen Holes</b>			<b>(1-15)</b>	<b>(16+)</b>
<b>Total Price</b>	<b>Complete Clamp Assembly</b>	<b>M423</b>	<b>87C534S</b>	<b>\$24.15</b>	<b>\$23.42</b>
	5" Open-End Clamp Only	M424	87C5	\$18.47	\$17.23
	Oversize Washer	M403	8734W	\$1.48	\$1.48
	Socket Head Bolt ¾"-10 x 3½"	M404	8734H	\$3.47	\$3.47
	Leveling Bolt ⅝"-11 x 2"	M405	87AB	\$1.12	\$1.12
	<b>⅝" -11 Platen Holes</b>			<b>(1-15)</b>	<b>(16+)</b>
<b>Total Price</b>	<b>Complete Clamp Assembly</b>	<b>M425</b>	<b>87C558S</b>	<b>\$22.96</b>	<b>\$22.27</b>
	5" Open-End Clamp Only	M424	87C5	\$18.47	\$17.23
	Oversize Washer	M407	8758W	\$1.48	\$1.48
	Socket Head Bolt ⅝"-11 x 3½"	M408	8758H	\$2.33	\$2.33
	Leveling Bolt ⅝"-11 x 2"	M405	87AB	\$1.12	\$1.12
	<b>¾" -10 Platen Holes</b>			<b>(1-15)</b>	<b>(16+)</b>
<b>Total Price</b>	<b>Complete Clamp Assembly</b>	<b>M426</b>	<b>87C5C34S</b>	<b>\$24.15</b>	<b>\$23.42</b>
	5" Closed-End Clamp Only	M427	87C5C	\$18.47	\$18.47
	Oversize Washer	M403	8734W	\$1.48	\$1.48
	Socket Head Bolt ¾"-10 x 3½"	M404	8734H	\$3.47	\$3.47
	Leveling Bolt ⅝"-11 x 2"	M405	87AB	\$1.12	\$1.12
	<b>⅝" -11 Platen Holes</b>			<b>(1-15)</b>	<b>(16+)</b>
<b>Total Price</b>	<b>Complete Clamp Assembly</b>	<b>M468</b>	<b>87C5C58S</b>	<b>\$22.96</b>	<b>\$22.27</b>
	5" Closed-End Clamp Only	M427	87C5C	\$18.47	\$18.47
	Oversize Washer	M407	8758W	\$1.48	\$1.48
	Socket Head Bolt ⅝"-11 x 3½"	M408	8758H	\$2.33	\$2.33
	Leveling Bolt ⅝"-11 x 2"	M405	87AB	\$1.12	\$1.12
	<b>Options</b>			<b>(1-15)</b>	<b>(16+)</b>
	Anti-Slip Washer for ⅝"-11	M419	8758RW05	\$8.89	\$8.89
	Anti-Slip Washer for ¾"-10	M420	8734RW05	\$8.89	\$8.89
	Swivel-Style Leveling Bolt	M414	8758SB	\$18.30	\$18.30
	4½" Long Platen Bolts SHCH	M421	87-60	\$4.54	\$4.54
<b>Metric Thread Platen Bolt – See page 193</b>					



Open-End Clamp



Closed-End Clamp



Options

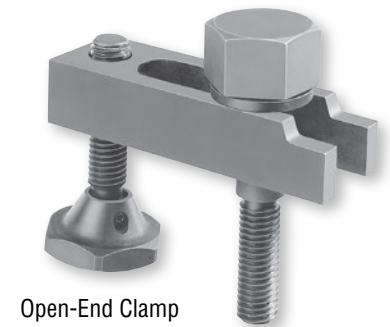
When ordering, use Quick#s to ensure order accuracy.

# 5" Mold Clamps

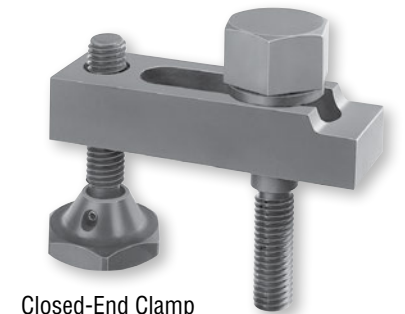
## 5" Machined Mold Clamps: Oversize Hex Head Bolt Style

	Description	Quick#	Part#	Price	
	<b>3/4" -10 Platen Holes</b>			<b>(1-15)</b>	<b>(16+)</b>
<b>Total Price</b>	<b>Complete Clamp Assembly</b>	<b>M428</b>	<b>87C534SOS</b>	<b>\$48.41</b>	<b>\$46.95</b>
	5" Open-End Clamp Only	M424	87C5	\$18.47	\$17.23
	Oversize Washer	M403	8734W	\$1.48	\$1.48
	Oversize Hex Bolt 3/4"-10 x 3 1/2"	M413	8734OS	\$10.15	\$10.15
	Swivel Bolt 5/8"-11 x 3 1/4"	M414	8758SB	\$18.30	\$18.30
	<b>5/8" -11 Platen Holes</b>			<b>(1-15)</b>	<b>(16+)</b>
<b>Total Price</b>	<b>Complete Clamp Assembly</b>	<b>M429</b>	<b>87C558SOS</b>	<b>\$47.07</b>	<b>\$45.65</b>
	5" Open-End Clamp Only	M424	87C5	\$18.47	\$17.23
	Oversize Washer	M403	8734W	\$1.48	\$1.48
	Oversize Hex Bolt 5/8"-11 x 3 1/2"	M416	8758OS	\$8.81	\$8.81
	Swivel Bolt 5/8"-11 x 3 1/4"	M414	8758SB	\$18.30	\$18.30
	<b>3/4" -10 Platen Holes</b>			<b>(1-15)</b>	<b>(16+)</b>
<b>Total Price</b>	<b>Complete Clamp Assembly</b>	<b>M430</b>	<b>87C5C34SOS</b>	<b>\$48.41</b>	<b>\$46.95</b>
	5" Closed-End Clamp Only	M427	87C5C	\$18.47	\$18.47
	Oversize Washer	M403	8734W	\$1.48	\$1.48
	Oversize Hex Bolt 3/4"-10 x 3 1/2"	M413	8734OS	\$10.15	\$10.15
	Swivel Bolt 5/8"-11 x 3 1/4"	M414	8758SB	\$18.30	\$18.30
	<b>5/8" -11 Platen Holes</b>			<b>(1-15)</b>	<b>(16+)</b>
<b>Total Price</b>	<b>Complete Clamp Assembly</b>	<b>M431</b>	<b>87C5C58SOS</b>	<b>\$47.07</b>	<b>\$45.65</b>
	5" Closed-End Clamp Only	M427	87C5C	\$18.47	\$18.47
	Oversize Washer	M403	8734W	\$1.48	\$1.48
	Oversize Hex Bolt 5/8"-11 x 3 1/2"	M416	8758OS	\$8.81	\$8.81
	Swivel Bolt 5/8"-11 x 3 1/4"	M414	8758SB	\$18.30	\$18.30
	<b>Options</b>			<b>(1-15)</b>	<b>(16+)</b>
	Anti-Slip Washer for 5/8"-11	M419	8758RW05	\$8.89	\$8.89
	Anti-Slip Washer for 3/4"-10	M420	8734RW05	\$8.89	\$8.89
	Non-Swivel Leveling Bolt	M405	87AB	\$1.12	\$1.12
	4 1/2" Long Platen Bolts OSH	M422	87-101	\$13.69	\$13.69

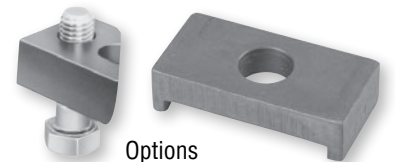
Metric Thread Platen Bolt – See page 193



Open-End Clamp



Closed-End Clamp



Options

