

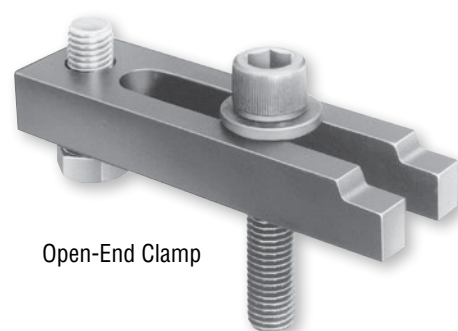
## 7" Mold Clamps

### Through-hardened steel, open or closed end, socket or oversize hex bolt

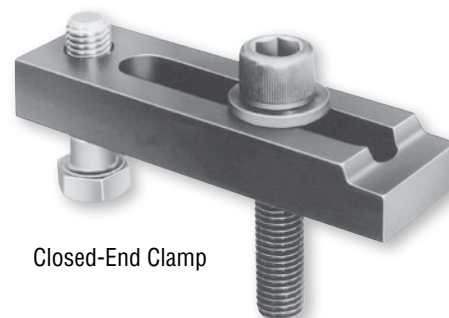
EMI's through-hardened steel clamps last longer than less expensive case-hardened clamps. These are easy to install and are adjustable, so that no spacers are required. The washers are extra-large and hardened. Metric thread bolts are available as an option.

#### 7" Machined Mold Clamps: Socket Head Bolt Style

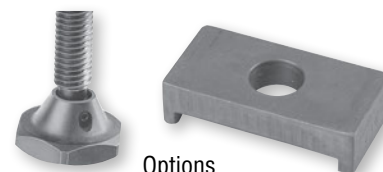
	Description	Quick#	Part#	Price	
	<b>¾" -10 Platen Holes</b>			<b>(1-15)</b>	<b>(16+)</b>
<b>Total Price</b>	<b>Complete Clamp Assembly</b>	<b>M432</b>	<b>87C734S</b>	<b>\$29.67</b>	<b>\$28.77</b>
	7" Open-End Clamp Only	M433	87C7	\$23.99	\$22.45
	Oversize Washer	M403	8734W	\$1.48	\$1.48
	Socket Head Bolt ¾"-10 x 3½"	M404	8734H	\$3.47	\$3.47
	Leveling Bolt ¾"-10 x 2"	M434	871AB	\$1.90	\$1.90
	<b>⅝" -11 Platen Holes</b>			<b>(1-15)</b>	<b>(16+)</b>
<b>Total Price</b>	<b>Complete Clamp Assembly</b>	<b>M435</b>	<b>87C758S</b>	<b>\$29.09</b>	<b>\$28.21</b>
	7" Open-End Clamp Only	M433	87C7	\$23.99	\$22.45
	Oversize Washer	M407	8758W	\$1.48	\$1.48
	Socket Head Bolt ⅝"-11 x 3½"	M408	8758H	\$2.33	\$2.33
	Leveling Bolt ¾"-10 x 2½"	M436	871ABA	\$2.30	\$2.30
	<b>¾" -10 Platen Holes</b>			<b>(1-15)</b>	<b>(16+)</b>
<b>Total Price</b>	<b>Complete Clamp Assembly</b>	<b>M437</b>	<b>87C7C34S</b>	<b>\$29.67</b>	<b>\$28.77</b>
	7" Closed-End Clamp Only	M438	87C7C	\$23.99	\$22.45
	Oversize Washer	M403	8734W	\$1.48	\$1.48
	Socket Head Bolt ¾"-10 x 3½"	M404	8734H	\$3.47	\$3.47
	Leveling Bolt ¾"-10 x 2"	M434	871AB	\$1.90	\$1.90
	<b>⅝" -10 Platen Holes</b>			<b>(1-15)</b>	<b>(16+)</b>
<b>Total Price</b>	<b>Complete Clamp Assembly</b>	<b>M439</b>	<b>87C7C58S</b>	<b>\$29.09</b>	<b>\$28.21</b>
	7" Closed-End Clamp Only	M438	87C7C	\$23.99	\$22.45
	Oversize Washer	M407	8758W	\$1.48	\$1.48
	Socket Head Bolt ⅝"-11 x 3½"	M408	8758H	\$2.42	\$2.42
	Leveling Bolt ¾"-10 x 2½"	M436	871ABA	\$2.30	\$2.30
	<b>Options</b>			<b>(1-15)</b>	<b>(16+)</b>
	Anti-Slip Washer for ⅝"-11	M445	8758RW07	\$9.02	\$9.02
	Anti-Slip Washer for ¾"-10	M446	8734RW07	\$9.02	\$9.02
	Swivel-Style Leveling Bolt	M441	8734SB	\$19.71	\$19.71
	4½" Long Platen Bolts SHCH	M421	87-60	\$4.54	\$4.54
<b>Metric Thread Platen Bolt – See page 193</b>					



Open-End Clamp



Closed-End Clamp

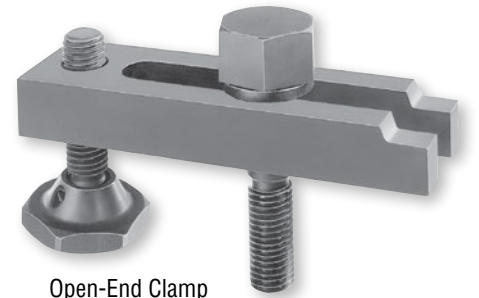


Options

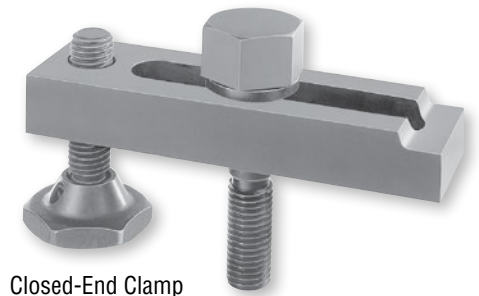
When ordering, use Quick#s to ensure order accuracy.

7" Machined Mold Clamps: Oversize Hex Head Bolt Style

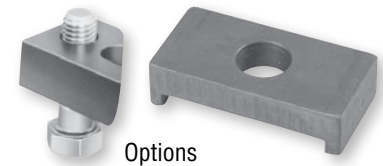
7" Mold Clamps



Open-End Clamp



Closed-End Clamp



Options

	Description	Quick#	Part#	Price	
	<b>¾" -10 Platen Holes</b>			<b>(1-15)</b>	<b>(16+)</b>
<b>Total Price</b>	<b>Complete Clamp Assembly</b>	<b>M440</b>	<b>87C734SOS</b>	<b>\$55.33</b>	<b>\$53.67</b>
	7" Open-End Clamp Only	M433	87C7	\$23.99	\$22.45
	Oversize Washer	M403	8734W	\$1.48	\$1.48
	Oversize Hex Bolt ¾"-10 x 3½"	M413	8734OS	\$10.15	\$10.15
	Swivel Bolt ¾"-10 x 3¼"	M441	8734SB	\$19.71	\$19.71
	<b>⅝" -11 Platen Holes</b>			<b>(1-15)</b>	<b>(16+)</b>
<b>Total Price</b>	<b>Complete Clamp Assembly</b>	<b>M442</b>	<b>87C758SOS</b>	<b>\$53.98</b>	<b>\$52.36</b>
	7" Open-End Clamp Only	M433	87C7	\$23.99	\$22.45
	Oversize Washer	M403	8734W	\$1.48	\$1.48
	Oversize Hex Bolt ⅝"-11 x 3½"	M416	8758OS	\$8.81	\$8.81
	Swivel Bolt ¾"-10 x 3¼"	M441	8734SB	\$19.71	\$19.71
	<b>¾" -10 Platen Holes</b>			<b>(1-15)</b>	<b>(16+)</b>
<b>Total Price</b>	<b>Complete Clamp Assembly</b>	<b>M443</b>	<b>87C7C34SOS</b>	<b>\$55.33</b>	<b>\$53.67</b>
	7" Closed-End Clamp Only	M438	87C7C	\$23.99	\$22.45
	Oversize Washer	M403	8734W	\$1.48	\$1.48
	Oversize Hex Bolt ¾"-10 x 3½"	M413	8734OS	\$10.15	\$10.15
	Swivel Bolt ¾"-10 x 3¼"	M441	8734SB	\$19.71	\$19.71
	<b>⅝" -11 Platen Holes</b>			<b>(1-15)</b>	<b>(16+)</b>
<b>Total Price</b>	<b>Complete Clamp Assembly</b>	<b>M444</b>	<b>87C7C58SOS</b>	<b>\$53.98</b>	<b>\$52.36</b>
	7" Closed-End Clamp Only	M438	87C7C	\$23.99	\$22.45
	Oversize Washer	M403	8734W	\$1.48	\$1.48
	Oversize Hex Bolt ⅝"-11 x 3½"	M416	8758OS	\$8.81	\$8.81
	Swivel Bolt ¾"-10 x 3¼"	M441	8734SB	\$19.71	\$19.71
	<b>Options</b>			<b>(1-15)</b>	<b>(16+)</b>
	Anti-Slip Washer for ⅝"-11	M445	8758RW07	\$9.02	\$9.02
	Anti-Slip Washer for ¾"-10	M446	8734RW07	\$9.02	\$9.02
	Non-Swivel Leveling Bolt	M436	871ABA	\$2.30	\$2.30
	4½" Long Platen Bolts OSH	M422	87-101	\$13.69	\$13.69
<b>Metric Thread Platen Bolt – See page 193</b>					

Dimensions apply to socket and oversize hex-style clamps.

