

# EMI<sup>®</sup>

## INDUSTRIAL COBOT STANDS



**Ready-to-Ship**  
**Affordable**  
**Heavy-Duty**

[EMInc.com](http://EMInc.com)

## Industrial Cobot Stands

### Adaptable Base Design

A grid of threaded M8 holes, spaced every 40mm allows the fixed and adjustable height risers to be placed anywhere on the mobile base.

### Combine with EMI's Cobot Ready Conveyors

EMI Cobot-Ready Conveyors are certified by Doosan, UR, and compatible with various other robot platforms. Achieve easy and continuous part transfer ideal for pick and place, machine tending, packaging applications.

### Reliable Manufacturing, Made in USA

Our production facility in Jackson Center, Ohio can design and build custom industrial equipment for cobots. If you need a custom stand, contact us at: [Cobots@EMICorp.com](mailto:Cobots@EMICorp.com).

### Stands Ship Fully Assembled

All stands are available for purchase online. Freight dimensions and weights can be found on our online product pages.



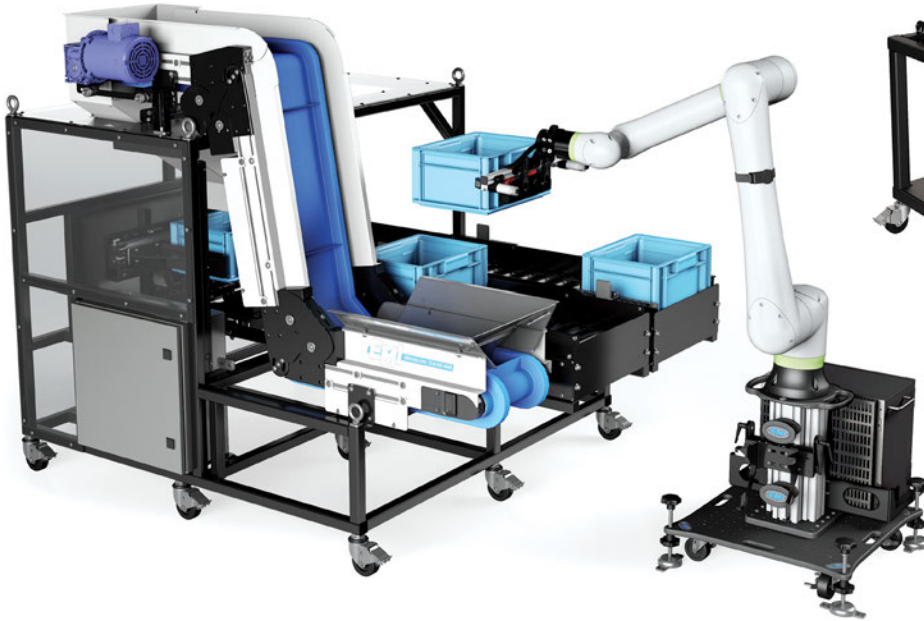
Watch here!

View our Industrial Cobot Stand YouTube Video!

## Industrial Cobot Stands

*Everything but the robot!*

Our Conveyor - Our Cobot Stand - Our End Effector - Our Work Table - Your Cobot





## Adjustable Height Cobot Stand

EMI's Cobot Pedestals extend the reach of a cobot arm. These heavy-duty robot stands are perfect to an industrial environment where redeployment and adjustability may be required.

The extruded aluminum profile riser is the perfect solution when a variable height set-up is needed. These pedestals can be fixed directly to the floor using ½" floor anchors or integrate onto our mobile base for easy mobility and redeployment.

Custom height options and configurations are available upon request.

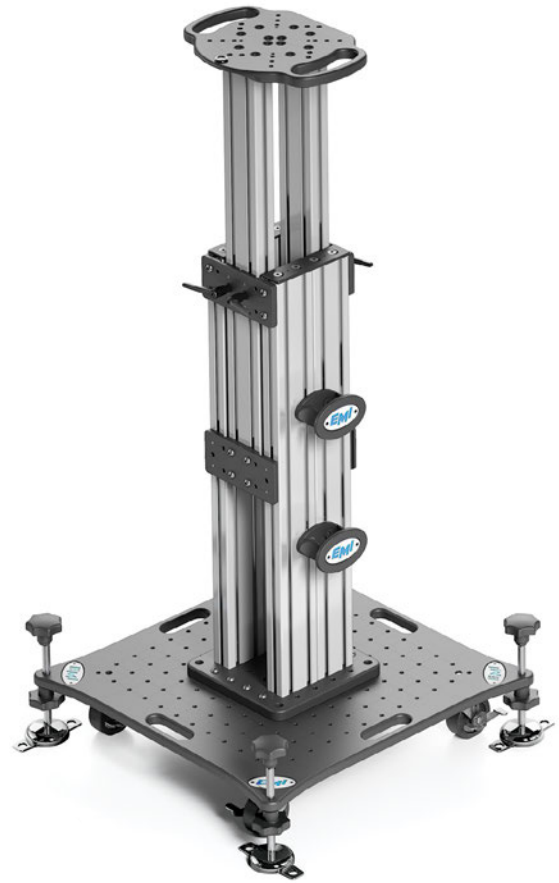
### Features:

- Aluminum profile riser with adjustable height.
- Dual handle on each side of riser for easier adjustments.
- Cable management included (x2).
- In-Stock standard sizes for quick delivery.
- Accepts (4x) ½" floor anchor (not supplied with stand).
- Locking casters and leveling pads (mobile base units only).

**In-Stock, Ready to Ship!**



## Adjustable Height Cobot Stand



**Fixed Base (Aluminum Profile Riser) with Adjustable Height**

| Quick # | Part #      | Description     | Wt.    | Price      |
|---------|-------------|-----------------|--------|------------|
| 8920    | CRS-FA-2339 | 23.7"–39.9" OAH | 59 lbs | \$1,610.00 |
| 8921    | CRS-FA-3054 | 30.8"–54" OAH   | 65 lbs | \$1,662.00 |

**Mobile Base (Aluminum Profile Riser) with Adjustable Height**

| Quick # | Part #      | Description     | Wt.     | Price      |
|---------|-------------|-----------------|---------|------------|
| 8901    | CRS-MA-2844 | 28.5"–44.5" OAH | 167 lbs | \$2,920.00 |
| 8902    | CRS-MA-3558 | 35.5"–58.8" OAH | 173 lbs | \$2,972.00 |

When ordering, use Quick#s to ensure order accuracy.

Note: The mobile base unit adds roughly 4.7" to the overall height.



## Electric Riser Robot Stand

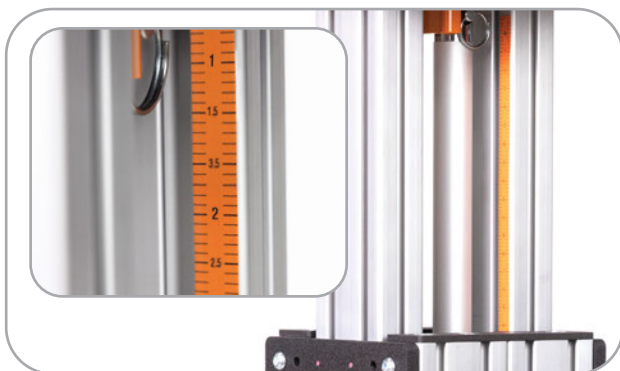
The New Electrically-Driven Riser from EMI offers the same mobility and rugged design as our standard stands, with the added convenience of a precise, 400 pound capacity lift available in 16" and 24" strokes.

With 4 user-defined positions, you can now recall your robot's position for the right job with the touch of a button. Alternately, you can disengage the electric actuator for manual operation or in case of power loss.

The Electric Riser is compatible with the mobile base and can be shipped pre-assembled for your convenience. Once your position is set, it is recommended to tighten the orange riser levers for added stability and peace of mind.

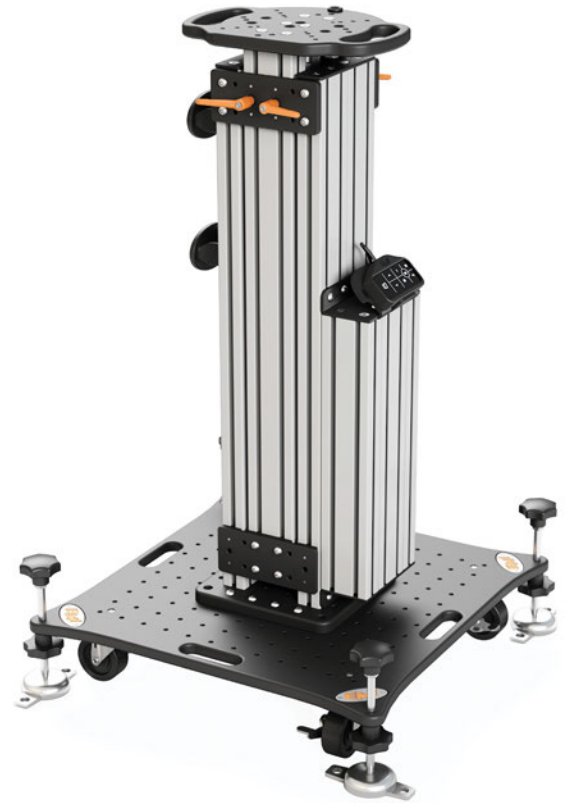
### Features:

- Electrically-driven riser is actuated by the end user. This product is not to be used as a 7th axis that is controlled by the robot.
- Aluminum extrusion riser with electrically-driven height adjustment via touch control.
- 400 lbs. maximum lift capacity.
- Four programmable positions for height adjustment.
- Available in 16" and 24" stroke.
- Dual handle on each side of riser for tightening in case of loss of power.
- Cable management included (x2).
- Accepts (4x) ½" floor anchor (not supplied with stand).
- Locking casters and leveling pads (mobile base units only).





## Electric Riser Cobot Stand



**Fixed Base w/ Electrically-Driven Aluminum Riser**

| Quick # | Part #       | Description                          | Wt.    | Price      |
|---------|--------------|--------------------------------------|--------|------------|
| 8960    | CRS-FAE-2743 | 16" Adjustable Stroke<br>27"-43" OAH | 84 lbs | \$3,363.00 |
| 8961    | CRS-FAE-3559 | 24" Adjustable Stroke<br>35"-59" OAH | 94 lbs | \$3,487.00 |

**Mobile Base w/ Electrically-Driven Aluminum Riser**

| Quick # | Part #       | Description                          | Wt.     | Price      |
|---------|--------------|--------------------------------------|---------|------------|
| 8970    | CRS-MAE-3248 | 16" Adjustable Stroke<br>32"-48" OAH | 192 lbs | \$4,673.00 |
| 8971    | CRS-MAE-4064 | 24" Adjustable Stroke<br>40"-64" OAH | 202 lbs | \$4,797.00 |

*Note: The mobile base unit adds roughly 4.7" to the overall height.*



## Fixed Height Cobot Stand

When a more robust cobot pedestal is required, consider EMI's Fixed Height Cobot Stand. The powder coated, 7ga. steel riser is available in 30", 36", 42" and 48" height options and is ideal for applications that require repeatable height.

Similar to the adjustable riser, the fixed height cobot stand can be secured directly to the floor with ½" floor anchors or a mobile base unit can be added for easier mobility and redeployment.

Custom paint, height options and configurations are available upon request.

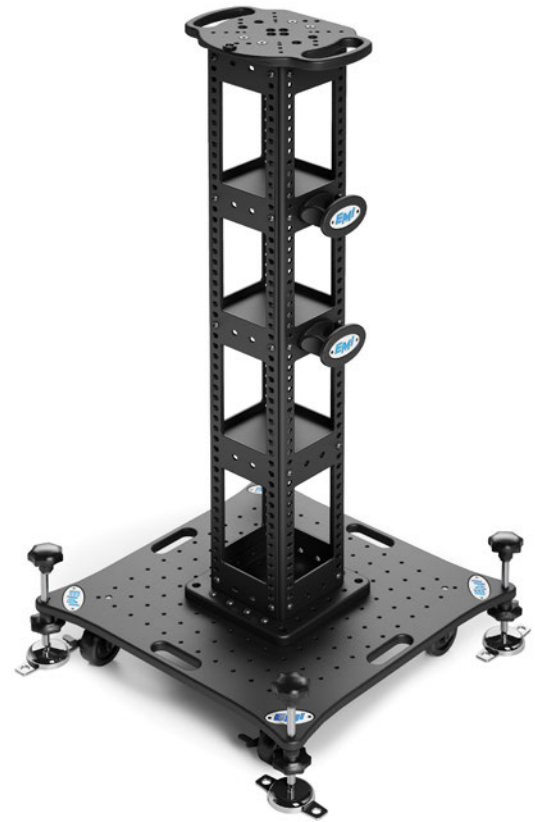
### Features:

- 7 gauge steel riser with fixed heights.
- Powder coated matte black.
- Cable management included (x2).
- Integrated shelves for storage.
- Locking casters and leveling pads (mobile base unit only).





## Fixed Height Cobot Stand



**Fixed Base (Steel Riser) with Fixed Height**

| Quick # | Part #    | Description | Wt.    | Price      |
|---------|-----------|-------------|--------|------------|
| 8930    | CRS-FF-30 | 30.6" OAH   | 68 lbs | \$1,271.00 |
| 8931    | CRS-FF-36 | 36.9" OAH   | 71 lbs | \$1,346.00 |
| 8932    | CRS-FF-42 | 42.5" OAH   | 79 lbs | \$1,421.00 |
| 8933    | CRS-FF-48 | 48.7" OAH   | 87 lbs | \$1,496.00 |

**Mobile Base (Steel Riser) with Fixed Height**

| Quick # | Part #    | Description | Wt.     | Price      |
|---------|-----------|-------------|---------|------------|
| 8910    | CRS-MF-35 | 35.3" OAH   | 176 lbs | \$2,581.00 |
| 8911    | CRS-MF-41 | 41.6" OAH   | 179 lbs | \$2,656.00 |
| 8912    | CRS-MF-47 | 47.2" OAH   | 187 lbs | \$2,731.00 |
| 8913    | CRS-MF-53 | 53.5" OAH   | 195 lbs | \$2,806.00 |

*Note: The mobile base unit adds roughly 4.7" to the overall height.*



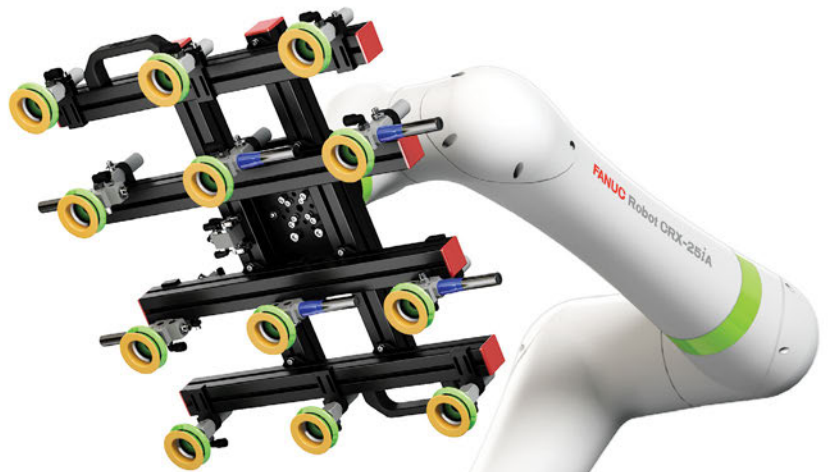
## Heavy-Duty Fixed Height Cobot Stand

Designed with larger collaborative robots in mind, EMI's New Heavy-Duty Cobot Stand offers versatility, ease of use great quality at a competitive price.

Given the design for larger robots, this fixed base stand is to be secured to the floor using 1/2" floor anchors.

As with our other cobot stand models, the Heavy-Duty Cobot Stand is in-stock and ready to ship when you place an order.

Standard height is 31". Custom height and robot mounting options available.



### Features:

- Lifting eye bolt for easy lifting.
- Includes (2x) standard-size and (2x) XL cable management brackets for oversized cables and connectors.
- Accepts (4x) 1/2" floor anchor (not supplied with stand).



**NEW!**



## Heavy-Duty Fixed Height Cobot Stand



Contact us for Custom Height Stands with 2-week lead time!

Heavy-Duty Fixed Base with Fixed Height

| Quick # | Part #       | Description | Wt.     | Price      |
|---------|--------------|-------------|---------|------------|
| 8935    | CRS-FF-31-HD | 31" OAH     | 210 lbs | \$2,235.00 |

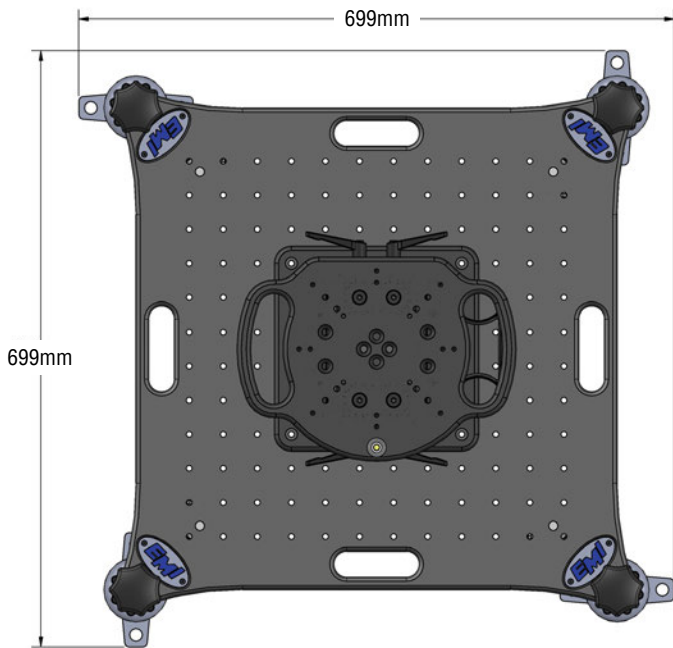
When ordering, use Quick#s to ensure order accuracy.



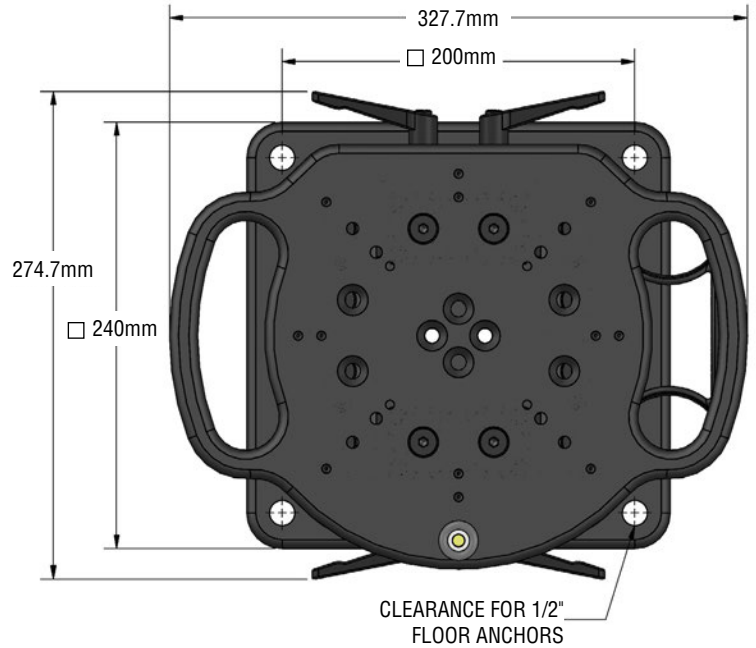


## Cobot Stand Footprint

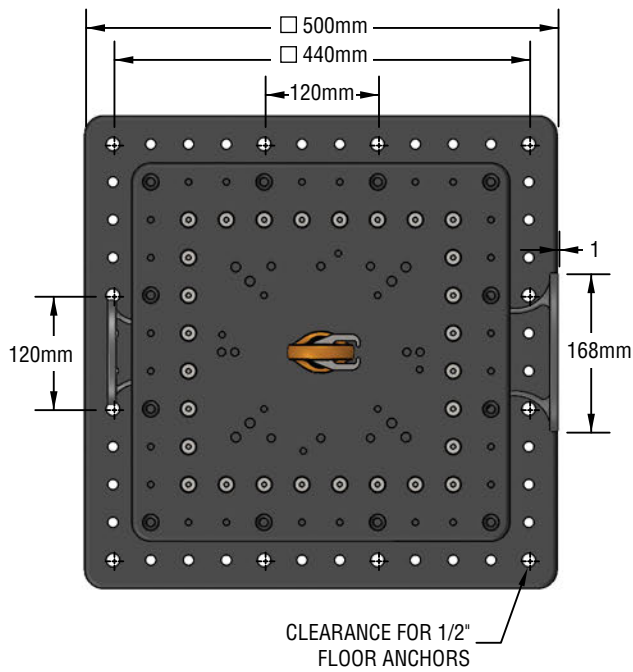
### Mobile Stand Footprint



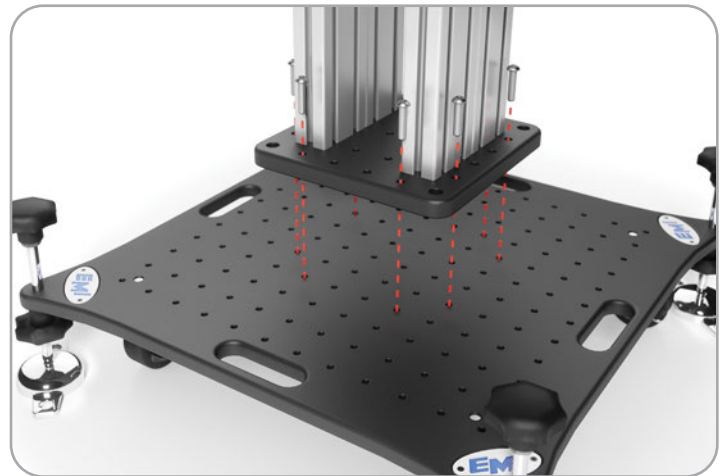
### Fixed Stand Footprint



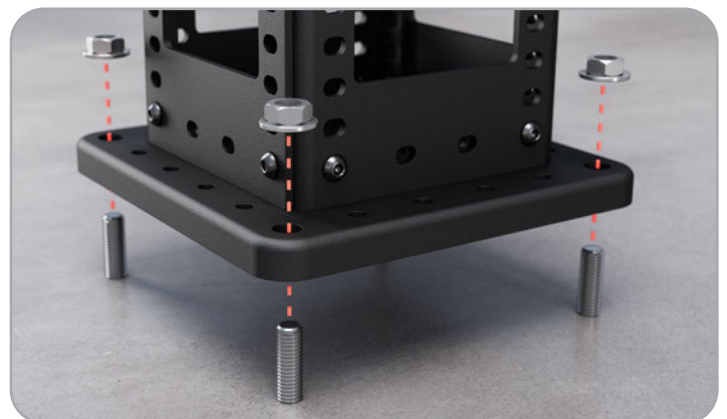
### Heavy-Duty Fixed Stand Footprint



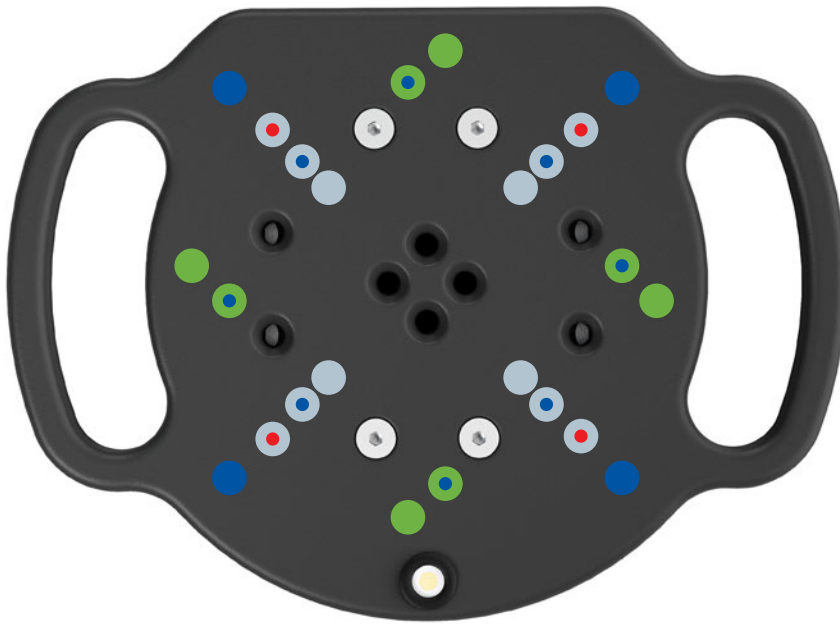
With M8 threaded every 40mm, the cobot stand riser can be placed anywhere on the mobile base.



Fixed-base stands easily anchor to floor:



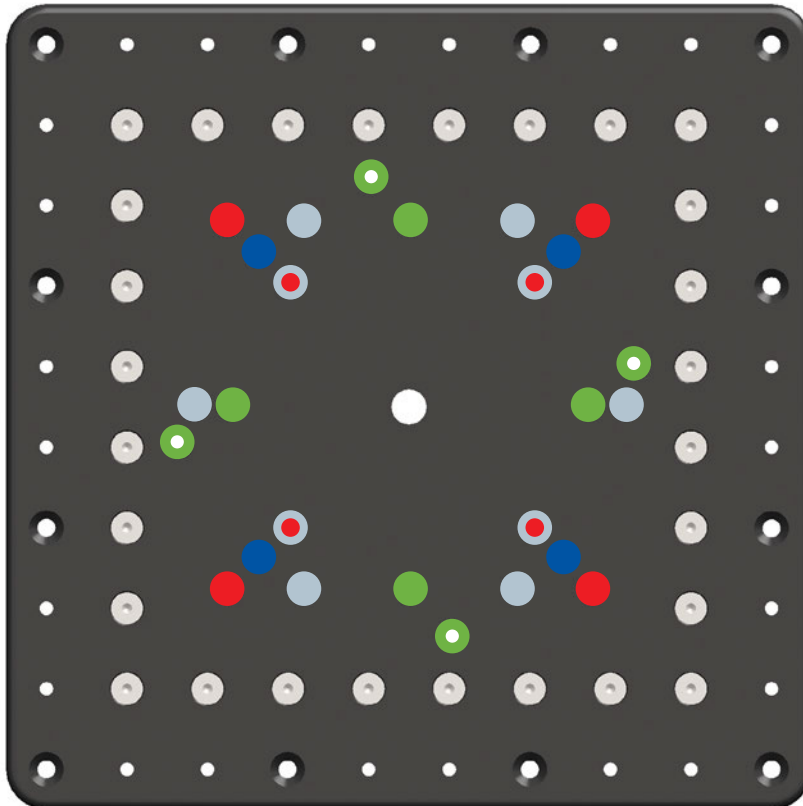
## Robot Stand Mounting Pattern Compatibility



### Adjustable / Fixed / Electric Robot Stand Compatibility

| Universal Robots    | Thread       | Mounting Pattern |
|---------------------|--------------|------------------|
| UR3                 | (4x) M6      | Ø110mm           |
| UR5                 | (4x) M8x1.25 | Ø132mm           |
| UR10 / UR16         |              | Ø170mm           |
| Fanuc               | Thread       | Mounting Pattern |
| CRX 5               | (4x) M8x1.25 | Ø132mm           |
| CRX 10              |              | Ø170mm           |
| Doosan              | Thread       | Mounting Pattern |
| M Series / A Series | (4x) M8x1.25 | □150mm           |
| Techman             | Thread       | Mounting Pattern |
| TM5                 | (4x) M10x1.5 | □110mm           |
| TM12 / TM14         |              | Ø182mm           |

Some mounting patterns may require you to offset the home position of the robot J1. Please contact EMI if you would like to have a custom base plate designed.



### Heavy-Duty Robot Stand Compatibility

| Universal Robots   | Thread        | Mounting Pattern |
|--------------------|---------------|------------------|
| UR10 / UR16        | (4x) M8x1.25  | Ø170mm           |
| UR20               | (6x) M10x1.5  | Ø210mm           |
| Fanuc              | Thread        | Mounting Pattern |
| CRX 10 / CRX 20    | (4x) M8x1.25  | Ø170mm           |
| CRX 25             | (4x) M12x1.75 | □180mm           |
| Doosan             | Thread        | Mounting Pattern |
| H / M / A Series   | (4x) M8x1.25  | □150mm           |
| Techman            | Thread        | Mounting Pattern |
| TM12 / TM14 / TM16 | (4x) M10x1.5  | Ø182mm           |
| TM25               | (4x) M12x1.75 | Ø230mm           |

Some mounting patterns may require you to offset the home position of the robot J1. Please contact EMI if you would like to have a custom base plate designed.



[www.youtube.com/EMICorpVideo](http://www.youtube.com/EMICorpVideo)

**Visit and subscribe to EMI's YouTube channel to watch the latest videos!**

## Optional Accessories for EMI Cobot Stands

### Control Box Hangers and Mounts

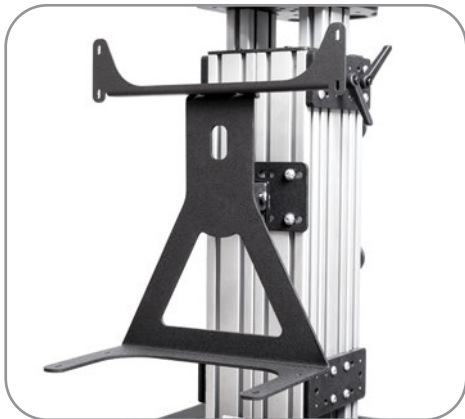
Q#8940 For Universal Robot



Q#8943 For Doosan and Fanuc CRX



Q#8945 For Techman Control Box Mount swivels for ease of access.



#### Control Box Hangers and Mounts

| Quick # | Part #     | Description                          | Price    |
|---------|------------|--------------------------------------|----------|
| 8940    | CRS-CBM-UR | UR Control Box Mount                 | \$35.00  |
| 8943    | CRS-CBM-DO | Doosan & Fanuc CRX Control Box Mount | \$204.00 |
| 8945    | CRS-CBM-TM | Techman Control Box Mount w/ Swivel  | \$204.00 |

When ordering, use Quick#s to ensure order accuracy.

**Don't see accessories for your robot model?**

Check online as we are constantly adding new accessories or contact us for a custom solution.



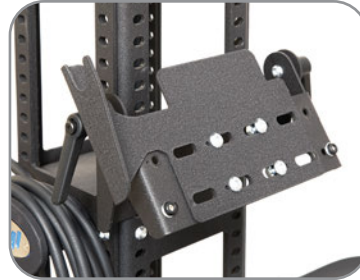
## Optional Accessories for EMI Cobot Stands

### Adjustable Tilt Pendant / Controller Hangers

Q#8941 For Universal Robot



Q# 8944 For Doosan



Q#8946 For Fanuc CRX



#### Pendant / Controller Hangers

| Quick # | Part #      | Description                                 | Price    |
|---------|-------------|---|----------|
| 8941    | CRS-TPH-UR  | UR Pendant Hanger w/ Adj. Tilt Angle*       | \$99.00  |
| 8944    | CRS-TPH-DO  | Doosan Pendant Hanger w/ Adj. Tilt Angle    | \$109.00 |
| 8946    | CRS-TPH-CRX | Fanuc CRX Pendant Hanger w/ Adj. Tilt Angle | \$136.00 |

\*Teach pendant hanger includes bracket for older model (CB-Series) UR Teach Pendant

### Cable Management / DIN Rail Mounting Bracket



Q#8942 Cable Management (2x included with Stands)


 Q#8947 X-Large Cable Management  
(2x included with the Heavy-Duty Stand)


Q#2809 Din Rail Mounting Bracket (shown attached to the stand, includes mounting hardware)

#### Optional Accessories

| Quick # | Part #      | Description                | Price    |
|---------|-------------|----------------------------|----------|
| 8942    | CRS-CM-1    | Cable Management (x2)      | \$39.00  |
| 8947    | CRS-CM-1-XL | XL Cable Management (x2)   | \$127.00 |
| 2809    | CRA-DRM-1   | Din Rail Mount Bracket Kit | \$37.89  |



## Easy Online Ordering!

EMI provides advanced solutions for Collaborative Robots. All our standard size Cobot stands listed in this brochure can be ordered online.

Stands ship fully assembled. Contact us for more information: [Cobots@EMlcorp.com](mailto:Cobots@EMlcorp.com)

**Ask about our EOAT, EOAT for Cobots, and Conveyor Catalogs!**



### Sales & Design Engineering

[Sales@EMlcorp.com](mailto:Sales@EMlcorp.com)  
Phone: 216-535-4848

28300 Euclid Ave.  
Wickliffe, Ohio 44092



### Manufacturing & Administrative Offices

801 West Pike Street,  
Jackson Center, Ohio 45334



### EMI México

[Ventas@EMlcorp.com](mailto:Ventas@EMlcorp.com)  
Teléfono: +52 (442) 349-7646

Parque Industrial Querétaro  
Santa Rosa de Jáuregui, Querétaro 76220

© 2024 EMI Corporation. All Rights Reserved.

No parts of this publication may be reproduced or transmitted in any form or by any means, electronic, mechanical, photocopying or otherwise, without the prior written permission of EMI Corp. We reserve the right to make alterations. UR Universal Robots, Doosan, TM Techman Robot, and Fanuc are trademarks of their respective owners.

Q# 9022  
03/2024