

IST-MFI-A374

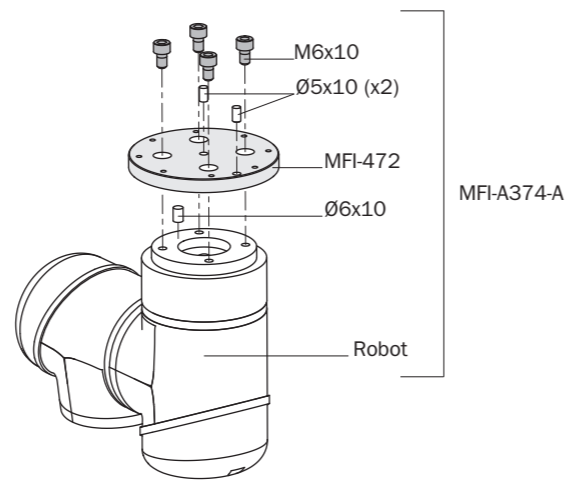
08/2018

MFI-A374

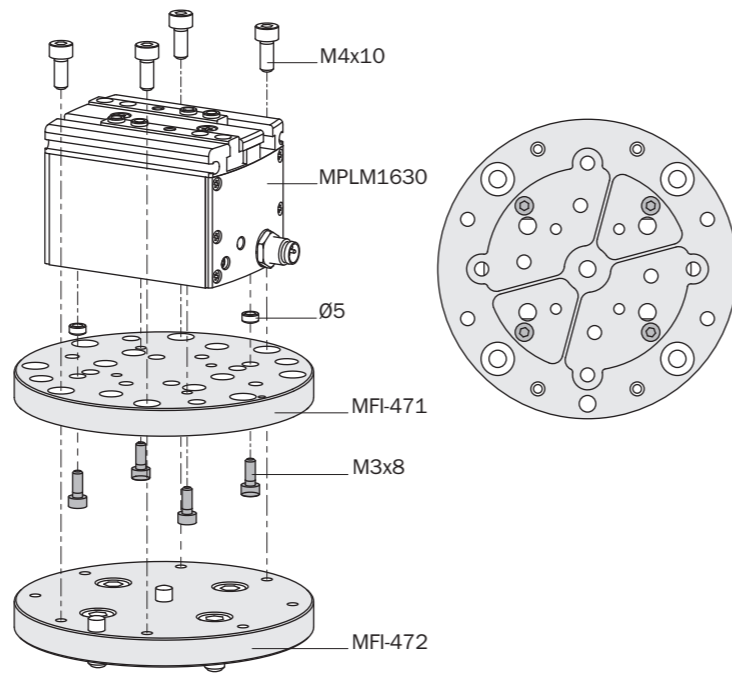
**Kit for mounting
Mechatronics grippers onto
a robot with
ISO 9409-1-50-4-M6**



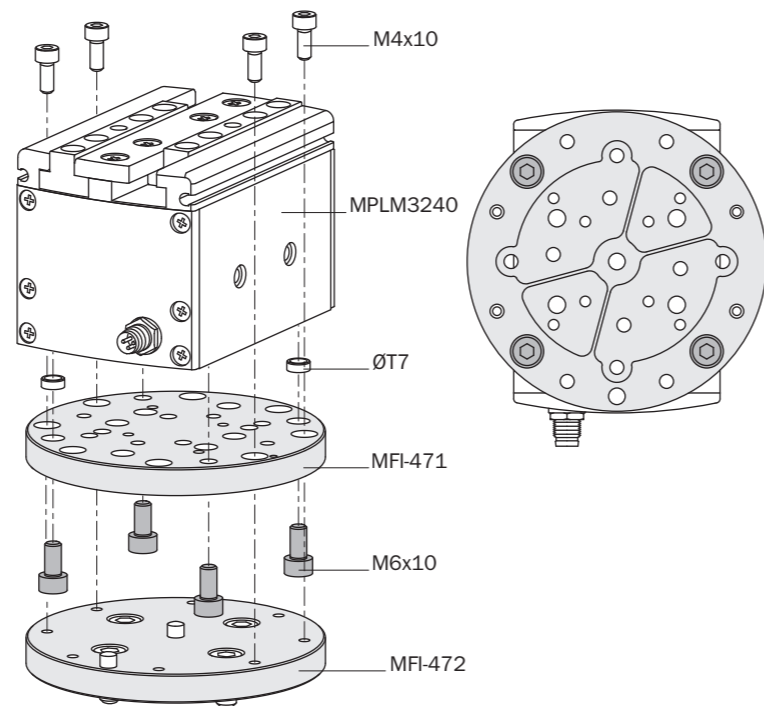
ISO 9409-1-50-4-M6



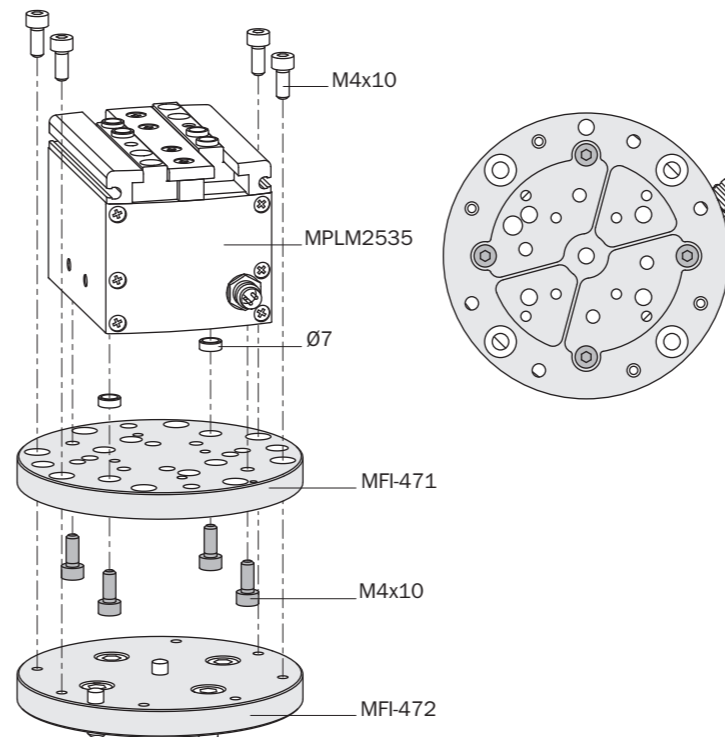
**Assembly of MPLM, MPLF
size 16**



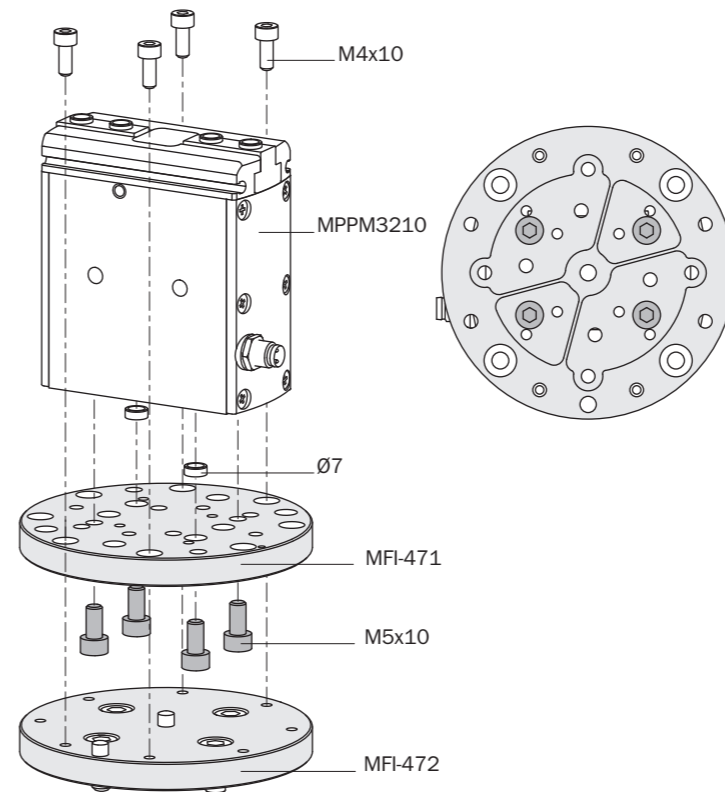
**Assembly of MPLM, MPLF
size 25**



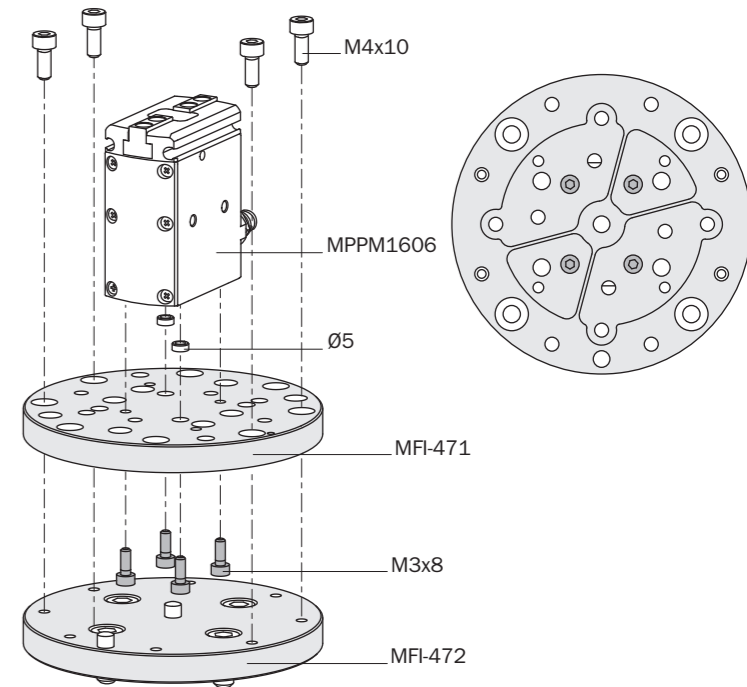
**Assembly of MPLM, MPLF
size 32**



**Assembly of MPPM, MPBM,
MPBS, MPRM, MPXM, MRE
size 32**



**Assembly of MPPM, MPBM,
MPBS, MPRM, MPXM, MRE
size 16**



**Assembly of MPPM, MPBM,
MPBS, MPRM, MPXM, MRE,
MPRJ size 25**

