

SR1C5-G

Touch Sensor



Description

Approach detection device with a built-in Reed switch for increased lifetime.

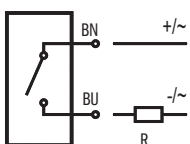
Some features:

- Sensor detection range from 3 to 15 millimeters
- Easy and immediate connection
- Tip made in silicone to avoid damage to the products

Electrical specifications

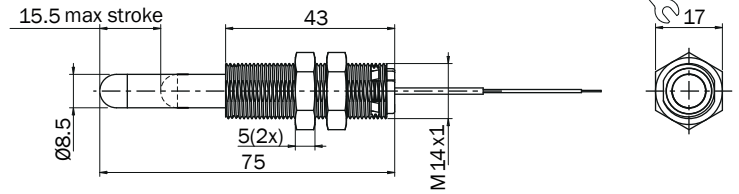
Electrical specification	
Connection type	Cavo Cable
Cable length	2.5 m
Cable insulation	PVC
Maximum voltage	230 V AC/DC
Maximum electric current	0.5 A
Maximum contact capacity	10 W
Stroke	15 mm
Switching point	3÷4 mm
Operating temperature	-10 ÷ 70 °C
Storage temperature	-10 ÷ 70 °C
Lifetime	250 x 10 ⁴ times (12 V@ 0.5 A)
Weight	40 g
IP rating	IP67
Main body material	PA
Tip material	Silicone

Wiring diagram

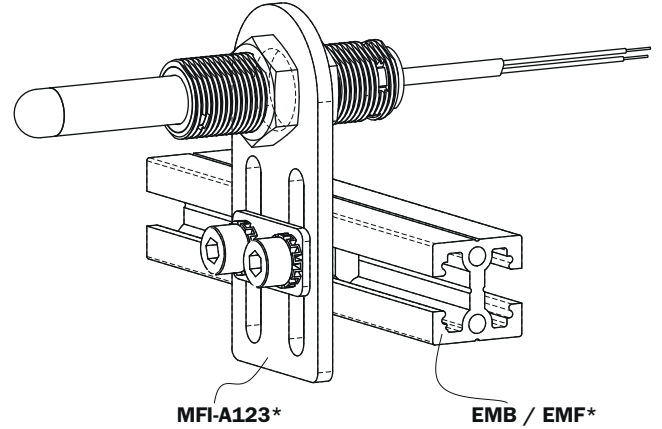


Brown BN(+); Blue BU(-)

Dimension (mm)



Fastening



Not included

Application example

