

Anchor Points

- Anchor Points provide safer and more versatile handling of molds and other loads in your facility versus regular eye bolts.
- They enable loading from various lifting angles.
- Designed by forged alloy steel, quenched and tempered.
- 360° rotation with 180° pivot function.
- Bolt are Metric thread (ASME / ANSI B18.3.1M), specification is a grade 10.9 alloy socket head screw per DIN EN ISO 4762.
- Proof Load is 2.5 times Working Load Limit and certified according to EN1677-1.
- 20,000 cycle fatigue rated to 1.5 times Working Load Limit.
- Rated at 100% at 90° angle.
- 100% magnaflux crack detection.
- EMI ensures quick shipping and competitive prices.

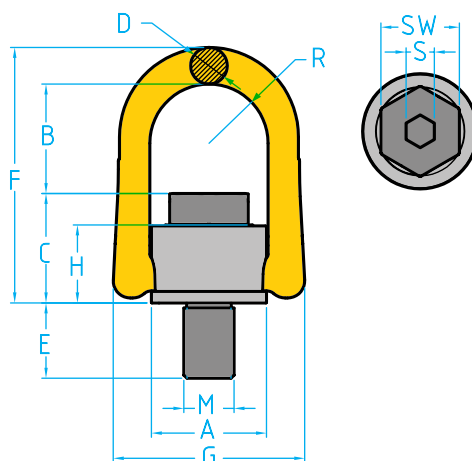


Anchor Points — Work load application examples:



Number of Points		1	2	1	2	2		2	3-4		3-4
Load Direction		0°	0°	90°	90°	0-45°	45-60°	asim.	0-45°	0-45°	asim.
Quick#	Part#	Working Load Limit									
A310	AM8 8 231 005	0.5t	1.0	0.5	1.0	0.7	0.5	0.5	1.1	0.8	0.5
A311	AM10 8 231 007	0.7t	1.4	0.7	1.4	1.0	0.7	0.7	1.5	1.1	0.7
A312	AM12 8 231 010	1t	2.0	1.0	2.0	1.4	1.0	1.0	2.1	1.5	1.0
A313	AM14 8 231 015	1.5t	3.0	1.5	3.0	2.1	1.5	1.5	3.2	2.3	1.5
A314	AM16 8 231 020	2t	4.0	2.0	4.0	2.8	2.0	2.0	4.2	3.0	2.0
A315	AM18 8 231 025	2.5t	5.0	2.5	5.0	3.5	2.5	2.5	5.3	3.8	2.5
A316	AM20 8 231 030	3t	6.0	3.0	6.0	4.2	3.0	3.0	6.3	4.5	3.0
A317	AM24 8 231 050	5t	10.0	5.0	10.0	7.0	5.0	5.0	10.5	7.5	5.0
A318	AM27 8 231 056	5.6t	11.2	5.6	11.2	7.8	5.6	5.6	11.8	8.4	5.6
A319	AM30 8 231 078	7.8t	15.6	7.8	15.6	10.9	7.8	7.8	16.4	11.7	7.8
A320	AM36 8 231 125	12.5t	25.0	12.5	25.0	17.5	12.5	12.5	26.3	18.8	12.5
A321	AM42 8 231 156	15.6t	31.2	15.6	31.2	21.8	15.6	15.6	32.8	23.4	15.6
A322	AM48 8 231 200	20t	40.0	20.0	40.0	28.0	20.0	20.0	42.0	30.0	20.0
A323	AM56 8 231 220	22t	44.0	22.0	44.0	30.8	22.0	22.0	46.2	33.0	22.0
A324	AM64 8 231 225	22.5t	45.0	22.5	45.0	31.5	22.5	22.5	47.3	33.8	22.5

Anchor Points



Anchor Points — Metric Thread (Dimensions in mm)

Quick#	Part#	Thread	A	B	C	D	E	F	G	H	R	S	SW	Working Load Limit	Price
A310	AM8 8 231 005*	M8	32	42	28	11	12	80	58	23	17	6	13	0.5t	\$25.00
A311	AM10 8 231 007	M10	32	41	29	11	15	80	58	23	17	6	17	0.7t	\$26.85
A312	AM12 8 231 010	M12	32	40	31	11	18	80	58	23	17	8	19	1t	\$28.70
A313	AM14 8 231 015*	M14	50	56	45	17	21	117	90	36	27	10	22	1.5t	\$35.56
A314	AM16 8 231 020	M16	50	54	46	17	24	117	90	36	27	10	24	2t	\$36.11
A315	AM18 8 231 025*	M18	65	78	57	20	27	153	108	44	34	12	30	3t	\$36.30
A316	AM20 8 231 030	M20	50	52	49	17	30	117	90	36	27	12	30	2.5t	\$36.67
A317	AM24 8 231 050	M24	72	81	59	22	36	162	125	44	37	14	36	5t	\$43.70
A318	AM27 8 231 056*	M27	87	96	79	30	38	205	148	62	46	17	41	5.6t	\$83.33
A319	AM30 8 231 078	M30	87	94	81	30	48	205	148	62	46	17	46	7.8t	\$92.96
A320	AM36 8 231 125	M36	109	112	98	38	54	246	188	75	57	22	55	12.5t	\$113.70
A321	AM42 8 231 156	M42	109	101	109	38	63	246	188	83	57	24	65	15.6t	\$219.26
A322	AM48 8 231 200	M48	109	97	113	38	72	246	188	83	57	27	75	20t	\$292.59
A323	AM56 8 231 220*	M56	123	113	123	38	84	273	202	91	64	-	85	16t	\$366.67
A324	AM64 8 231 225	M64	123	112	124	38	96	273	202	91	64	-	95	22.5t	\$429.63

Note: * = non-stock item

Anchor Points — UNC Thread (Dimensions in inches)

Quick#	Part#	Thread	A	B	C	D	E	F	G	H	R	S	SW	Working Load Limit	Price
A335	A1/2 8 232 010*	1/2 - 13UNC	1.26	2.25	1.73	0.41	0.71	3.15	2.28	0.89	0.67	5/16	3/4	2200lbs	\$28.70
A336	A5/8 8 232 020*	5/8 - 11UNC	1.97	2.13	1.81	0.65	1.14	4.61	3.39	1.42	1.06	3/8	15/16	4400lbs	\$36.11
A337	A3/4 8 232 030*	3/4 - 10UNC	1.97	2.07	1.89	0.65	1.18	4.61	3.39	1.42	1.06	1/2	1 1/8	6600lbs	\$36.67
A338	A7/8 8 232 038*	7/8 - 9UNC	2.56	2.99	2.28	0.79	1.42	6.02	4.25	1.73	1.34	5/8	1	8360lbs	\$40.50
A339	A1 8 232 050*	1 - 8UNC	2.56	2.91	2.34	0.79	1.61	6.02	4.25	1.73	1.34	7/8	1 5/16	11000lbs	\$43.70
A340	A1 1/4 8 232 078*	1 1/4 - 7UNC	3.43	3.66	3.23	1.18	2.09	8.07	5.83	2.44	1.79	7/8	1 1/2	17160lbs	\$92.96
A341	A1 1/2 8 232 125*	1 1/2 - 6UNC	3.43	3.51	3.38	1.18	2.13	8.07	5.83	2.44	1.79	1	1 7/8	27500lbs	\$113.70
A342	A2 8 232 200*	2 - 4UNC	4.29	4.12	4.15	1.42	2.83	9.61	7.20	2.93	2.22	1 1/4	2 1/4	44000lbs	\$292.59

Note: * = non-stock item